

# HERCULES

DIECI HERCULES TELEHANDLER 10 - 21 T / 9.4 - 10.2 M



**DIECI**  
TELEHANDLERS

## PERFORMANCE

Machine model	HERCULES 100.10	HERCULES 120.10	HERCULES 190.10	HERCULES 210.10
Maximum capacity	10000 kg (22046 lb)	12000 kg (26455 lb)	19000 kg (41888 lb)	21000 kg (46297 lb)
Maximum lifting height on wheels	9.50 m (31.2 ft)	9.50 m (31.2 ft)	10.20 m (33.5 ft)	10.20 m (33.5 ft)
Maximum horizontal extension on wheels	5.15 m (16.9 ft)	5.1 m (16.7 ft)	5.15 m (16.9 ft)	5.15 m (16.9 ft)
Fork swiveling angle	144°	144°	120°	120°
Pull-out force	9700 daN (21806 lbf)	9700 daN (21806 lbf)	16200 daN (36419 lbf)	16200 daN (36419 lbf)
Towing force	11000 daN (24729 lbf)	11000 daN (24729 lbf)	19500 daN (43838 lbf)	19500 daN (43838 lbf)
Maximum climb angle	36%	36%	36.5%	36.5%
Unladen weight	16000 kg (35274 lb)	16800 kg (37038 lb)	24500 kg (54013 lb)	27500 kg (60627 lb)
Max speed (referred to wheels with maximum permitted diameter)	35 km/h (21.7 mph)	35 km/h (21.7 mph)	23 km/h (14.3 mph)	23 km/h (14.3 mph)

## BOOM

Machine model	HERCULES 100.10	HERCULES 120.10	HERCULES 190.10	HERCULES 210.10
Lifting	16.5 s	19.0 s	20.0 s	25.2 s
Getting off the basket	13.2 s	15.2 s	20.5 s	23.5 s
Extension	13.2 s	13.2 s	20.1 s	21.1 s
Retraction	8.3 s	8.3 s	9.8 s	9.8 s
Forward swiveling	5.3 s	5.3 s	5.6 s	8.1 s
Reverse swiveling	4.0 s	4.0 s	4.3 s	5.3 s

## ENGINE

Machine model	HERCULES 100.10	HERCULES 120.10	HERCULES 190.10	HERCULES 210.10
Brand	FPT	FPT	FPT	FPT
Nominal power	104 kW (139 HP)	104 kW (139 HP)	129 kW (173 HP)	129 kW (173 HP)
@rpm	2200 rpm	2200 rpm	2200 rpm	2200 rpm
Operation	107 kW (143HP)	107 kW (143HP)	-	-
Injection	2000 rpm	2000 rpm	-	-
Number and arrangement of cylinders	4-stroke	4-stroke	4-stroke	4-stroke
Displacement	Electronic, Common Rail	Electronic, Common Rail	Electronic, Common Rail	Electronic, Common Rail
Consumption	4, Vertical in line	4, Vertical in line	6, Vertical in line	6, Vertical in line
@rpm	4485 cm <sup>3</sup> (274 in <sup>3</sup> )	4485 cm <sup>3</sup> (274 in <sup>3</sup> )	6727 cm <sup>3</sup> (411 in <sup>3</sup> )	6727 cm <sup>3</sup> (411 in <sup>3</sup> )
Emission standards	Stage IIIA/Tier 3	Stage IIIA/Tier 3	Stage IIIA/Tier 3	Stage IIIA/Tier 3
Cooling system	Liquid	Liquid	Liquid	Liquid
Intake	Turbo compressor 16 valve	Turbo compressor 16 valve	Turbo compressor	Turbo compressor

## DIFFERENTIAL AXLES

Machine model	HERCULES 100.10	HERCULES 120.10	HERCULES 190.10	HERCULES 210.10
Axles types	2 steering, with 4 planetary reduction gears	2 steering, with 4 planetary reduction gears	2 steering, with 4 planetary reduction gears	2 steering, with 4 planetary reduction gears
Type of steering	4 wheels / transversal / 2 wheels	4 wheels / transversal / 2 wheels	4 wheels / transversal / 2 wheels	4 wheels / transversal / 2 wheels
Front axle	With transverse leveling (8° + 8°) with control in the cab and 45% self-locking differential	With transverse leveling (8° + 8°) with control in the cab and 45% self-locking differential	With transverse leveling (8° + 8°) with control in the cab	With transverse leveling (8° + 8°) with control in the cab
Rear axle	Swinging	Swinging	Swinging	Swinging
Service brake	Oil bath with servo brake on front and rear axle with double hydraulic system	Oil bath with servo brake on front and rear axle with double hydraulic system	Oil bath with servo brake on front and rear axle with double hydraulic system	Oil bath with servo brake on front and rear axle with double hydraulic system
Park brake	Automatic spring applied hydraulic release	Automatic spring applied hydraulic release	Automatic spring applied hydraulic release	Automatic spring applied hydraulic release

## HYDRAULIC SYSTEM

Machine model	HERCULES 100.10	HERCULES 120.10	HERCULES 190.10	HERCULES 210.10
Hydraulic pump type	"Load Sensing" variable flow pump for boom movements. Gear pump for power steering drive and for the cooling fan	"Load Sensing" variable flow pump for boom movements. Gear pump for power steering drive and for the cooling fan	"Load Sensing" variable flow pump for boom movements. Gear pump for power steering drive and for the cooling fan	"Load Sensing" variable flow pump for boom movements. Gear pump for power steering drive and for the cooling fan
Hydraulic pump capacity	160 L/min (42.3 gal/min)	160 L/min (42.3 gal/min)	170 L/min (44.9 gal/min)	170 L/min (44.9 gal/min)
Max. operating pressure	30.0 MPa (4351 psi)	30.0 MPa (4351 psi)	35.0 MPa (5076 psi)	35.0 MPa (5076 psi)
Distributor control	4in1 proportional Joystick	4in1 proportional Joystick	4in1 proportional Joystick	4in1 proportional Joystick

## REFUELING

Machine model	HERCULES 100.10	HERCULES 120.10	HERCULES 190.10	HERCULES 210.10
Hydraulic motor (total)	246.0 L (64.99 gal)	246.0 L (64.99 gal)	246.0 L (64.99 gal)	246.0 L (64.99 gal)
Diesel tank	207.0 L (54.68 gal)	207.0 L (54.68 gal)	207.0 L (54.68 gal)	207.0 L (54.68 gal)

## TRANSMISSION

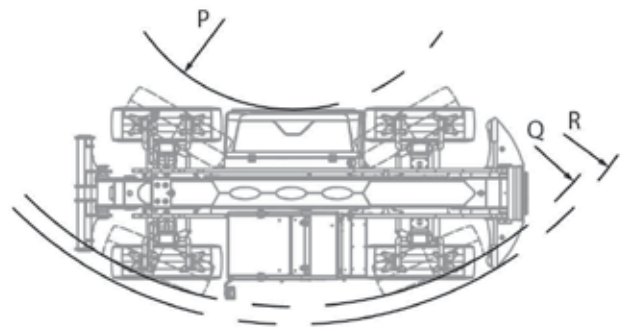
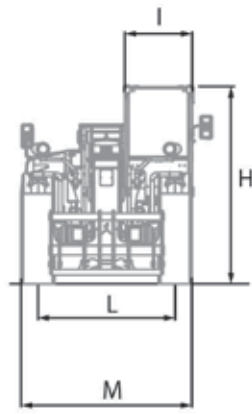
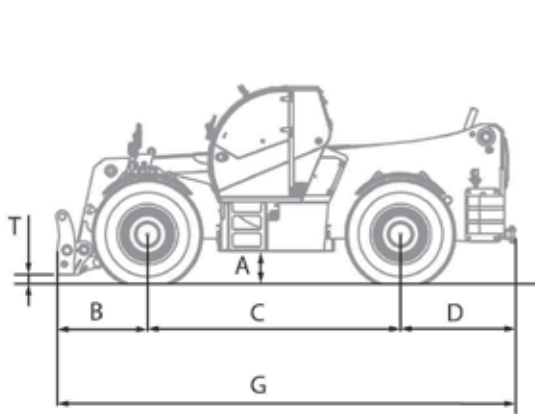
Machine model	HERCULES 100.10	HERCULES 120.10	HERCULES 190.10	HERCULES 210.10
Transmission type	Hydrostatic with variable flow pump	Hydrostatic with variable flow pump	Hydrostatic with variable flow pump	Hydrostatic with variable flow pump
Hydraulic motor	Hydrostatic with continuous automatic adjustment	Hydrostatic with continuous automatic adjustment	Hydrostatic with continuous automatic adjustment	Hydrostatic with continuous automatic adjustment
Reversal	Electro-Hydraulic	Electro-Hydraulic	Electro-Hydraulic	Electro-Hydraulic
Inching	With hydraulic pedal for controlled forward movement	With hydraulic pedal for controlled forward movement	With hydraulic pedal for controlled forward movement	With hydraulic pedal for controlled forward movement
Transmission gearbox	Servocontrolled 2-speed	Servocontrolled 2-speed	Servocontrolled 2-speed	Servocontrolled 2-speed
Differential	-	-	100% lockable	100% lockable

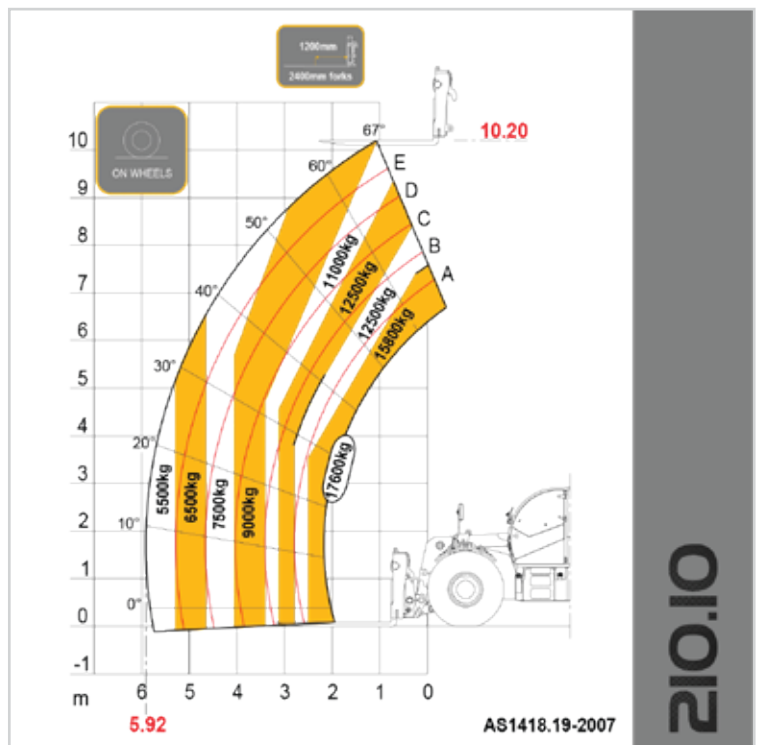
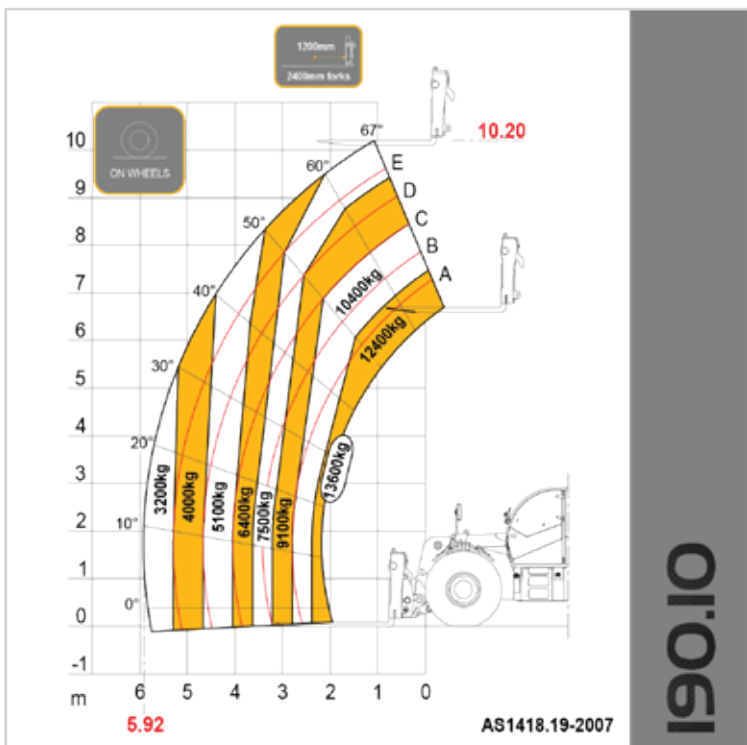
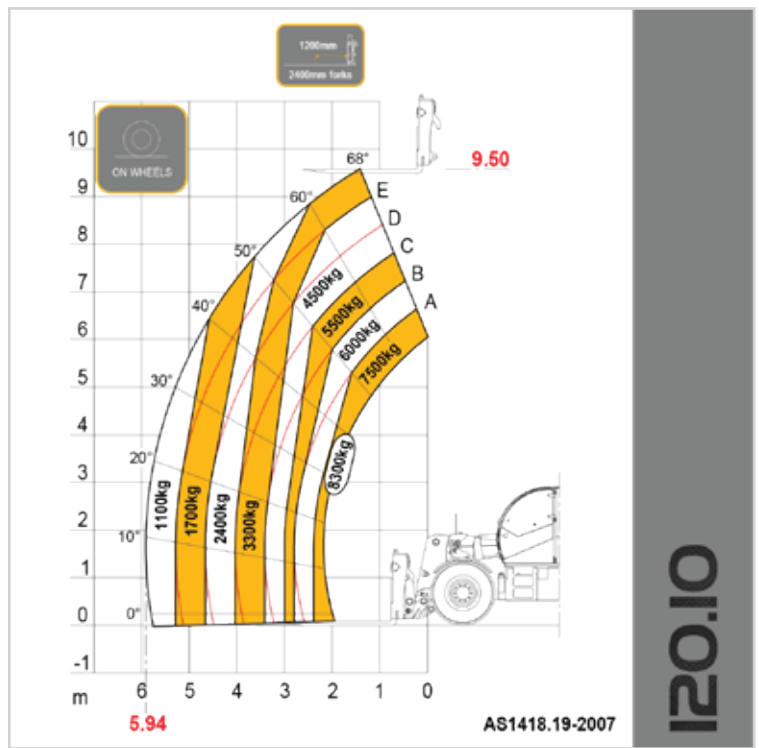
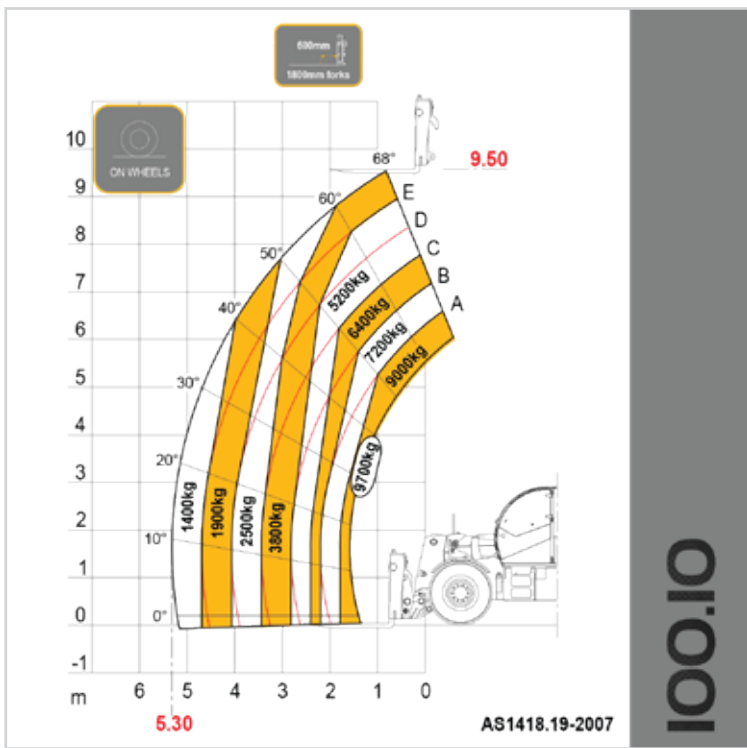
## TYRES

Machine model	HERCULES 100.10	HERCULES 120.10	HERCULES 190.10	HERCULES 210.10
Standard tyres	17.5x25"	17.5x25"	20.5R25"	23.5R25"

## DIMENSIONS

Machine model	HERCULES 100.10	HERCULES 120.10	HERCULES 190.10	HERCULES 210.10
A	490 mm (19.3 in)	490 mm (19.3 in)	530 mm (20.9 in)	530 mm (20.9 in)
B	1270 mm (50 in)	1270 mm (50 in)	1320 mm (52 in)	1320 mm (52 in)
C	3300 mm (129.9 in)	3300 mm (129.9 in)	3850 mm (151.6 in)	3850 mm (151.6 in)
D	1480 mm (58.3 in)	1480 mm (58.3 in)	1630 mm (64.2 in)	1630 mm (64.2 in)
G	6050 mm (238.2 in)	6050 mm (238.2 in)	6800 mm (267.7 in)	6800 mm (267.7 in)
H	2890 mm (113.8 in)	2890 mm (113.8 in)	2930 mm (115.4 in)	2930 mm (115.4 in)
I	980 mm (38.6 in)	980 mm (38.6 in)	980 mm (38.6 in)	980 mm (38.6 in)
L	1975 mm (77.8 in)	1975 mm (77.8 in)	2015 mm (79.3 in)	2045 mm (80.5 in)
M	2420 mm (95.3 in)	2420 mm (95.3 in)	2600 mm (102.4 in)	2700 mm (106.3 in)
P	1480 mm (58.3 in)	1480 mm (58.3 in)	3530 mm (139 in)	3530 mm (139 in)
Q	4350 mm (171.3 in)	4350 mm (171.3 in)	6500 mm (255.9 in)	6500 mm (255.9 in)
R	4580 mm (180.3 in)	4580 mm (180.3 in)	6500 mm (255.9 in)	6500 mm (255.9 in)
T	134 mm (5.3 in)	134 mm (5.3 in)	181 mm (7.1 in)	181 mm (7.1 in)





The  
Capital Equipment  
Specialists

Distributed by the AWD Group and their network of authorised dealers.  
AWD Group - 25 Garner Place, Ingleburn NSW 2565  
Tel. +61 2 8795 4555 - [www.dieci.com.au](http://www.dieci.com.au)  
[info@awdgrp.com.au](mailto:info@awdgrp.com.au)

Illustrations and photos show the standard international models and may or may not include optional equipment, accessories, customer installed or modified parts, optional parts and all standard equipment with some differences in colour and features. Machine specifications are subject to change without notice and additional load charts and machine or attachment specifications may be available on request. Please refer to the operators manual for correct machine and attachment operation.