



SL5, SL6 & SL7

Spider Lifts



GREEN-TEC™
A TEREX BRAND





Spider lifts, nimble & versatile aerial lifts platforms capable of 360-degree rotation

When lock into place, the **4** adjustable legs gives stability on different terrains

The legs can be safely positioned to allow them to work on different **Gradients**

The **Basket** can be manoeuvre to the exact position you need them with the use of articulating booms and jibs

Enabling a single operator to easily complete an endless range of **Jobs** at the same time it would take several people just to construct the scaffolding.

Excelling at jobs that require, Movement on delicate areas such as lawns or interior, Uneven terrain and Easy transport



There are 5 Reasons Why a Spider lift is the Arborists Choice

1. Reach Heights Required for Removing Tall Trees

- The SL7 can reach as high as 100ft (30m) and reach 47' 7" (14.5m).
- Enables arborists to reach tall trees in confined spaces that can't be removed by other means.

2. Access Any Property

- Our SL5, SL6 and SL7 narrow down to 2' 11" (89cm), this allows them to fit through the narrowest of spaces, including most gates and between structures.
- This makes them ideal for properties with limited access.

3. Set-Up on Uneven Ground

- Equipped with "legs" that lock into place, guaranteeing stability.
- Allows setup on steep banks, uneven areas, or soft terrain.

4. Prevent Damage to Property

- Moves using tracks rather than wheels, preventing deep ruts on wet yards.
- Lightweight compared to a bucket truck, minimizing ground impact.

5. Keep Staff Safe

- Allows removal of trees that are unsafe to climb, such as decayed trees.
- Provides a safer solution by enabling crews to remove trees without climbing them.



Green-Tec offers a range of **3** Spider lifts designed to meet the needs of tree care professionals and arborists.

SL5:

- Height: 21m (68' 11")
- Reach: 10m (32' 10")

SL6:

- Height: 26m (85' 7")
- Reach: 14.5m (47' 7")

SL7:

- Height: 31m (101' 9")
- Reach: 14.5m (47' 7")

Our Spider lifts offer,

- Superior structural steel construction with **SSAB Domex™** octagonal shape boom structure, super slick UHDPE wear pads
- Oversized and heat-treated corrosion-resistant pivot points and linkages
- Robust Longer undercarriage for increased climbing stability and better weight distribution
- Long travel outriggers allowing you to setup anywhere and even work over the bed of a truck or trailer





Independent Telescopic Tracks,

- The SL6 & SL7 has an adjustable width carriage system
- The undercarriage can retract down to 2' 11" (89cm) for gates and narrow crossings
- Telescope out to 4' 3" (1.3m) for better stability
- Accessible from the wireless remote control while you manoeuvre

Our Operators basket offer the following features,

- 180° degrees basket rotation
- Easily Removed
- Up to 3 Safety harness anchor points
- Heavy duty fiberglass basket
- Floor level access standard
- Electrical outlet in basket
- Up to 510lbs (230kg) Basket Capacity



With Tree Care professionals in mind, we have made the following features standard,

- Heavy protection over outriggers cylinders tubes and valves
- Heavy plating over base switches
- Live hydraulic ground controls with closable and lockable protection box / heavy plate over controls
- Heavy duty Fiberglass basket with side opening
- BBQ style ergonomic lid hinged cover for basket controls.
- Steel covers over the stability switches
- Anti-abrasion wrapping over hoses and harnesses.

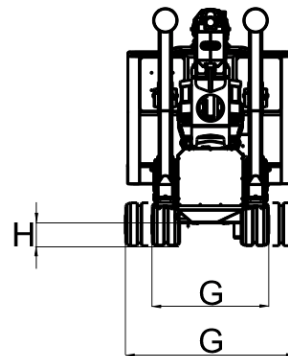
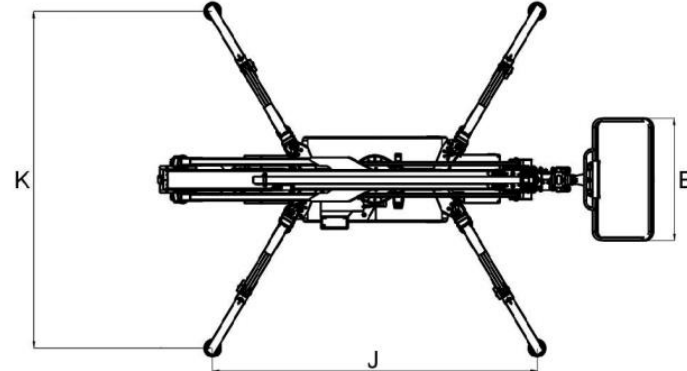
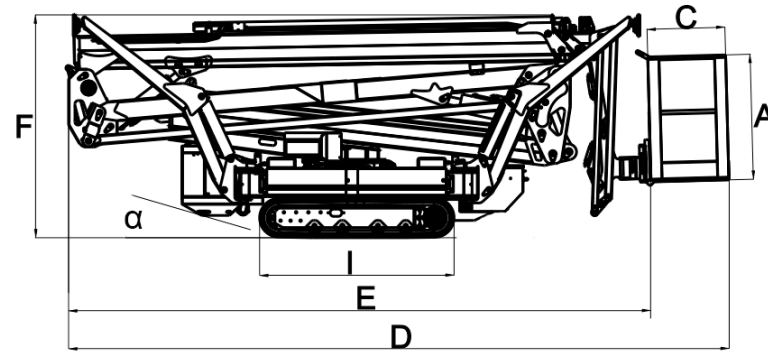
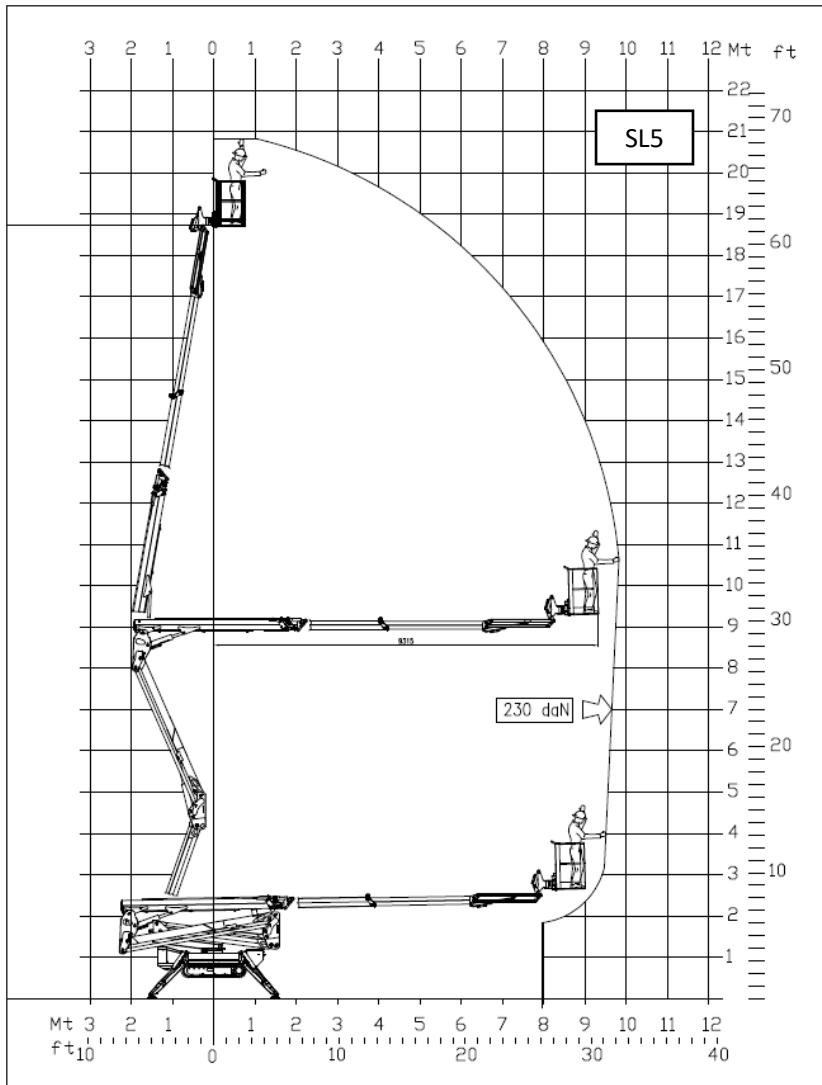




Stability At The Heart Of The Machine

Each machine is fitted with a unique **Active Stability Management System**, This ensures the user cannot compromise the stability of the SL5, SL6 or SL7 by disabling any potentially dangerous movements. A simple mechanism is built-in to each outrigger & is pre-calibrated from the factory, This system is guarded with heavy protection cover to prevent damage due to falling limbs. The system uses standard automotive relays and redundant switch's and ensures safety at wind speeds up to 28MPH.

SL5 - 21m (68' 11")



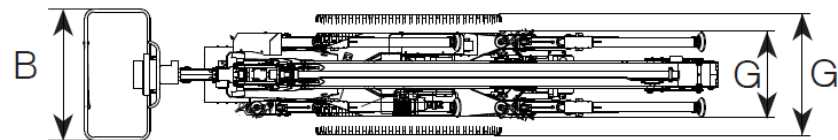
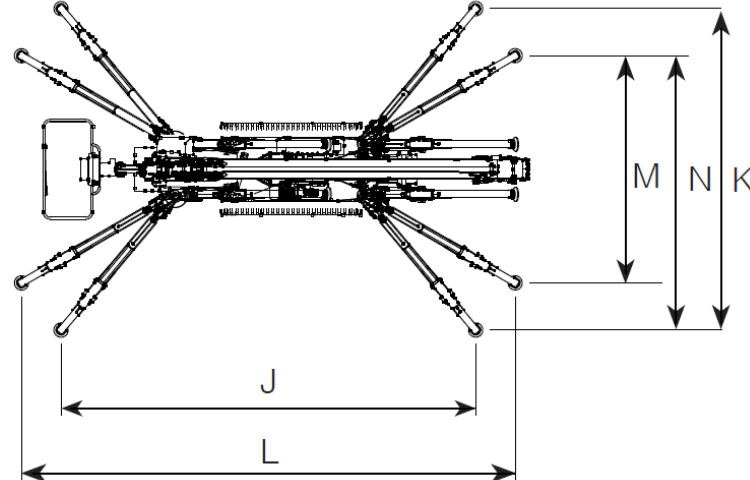
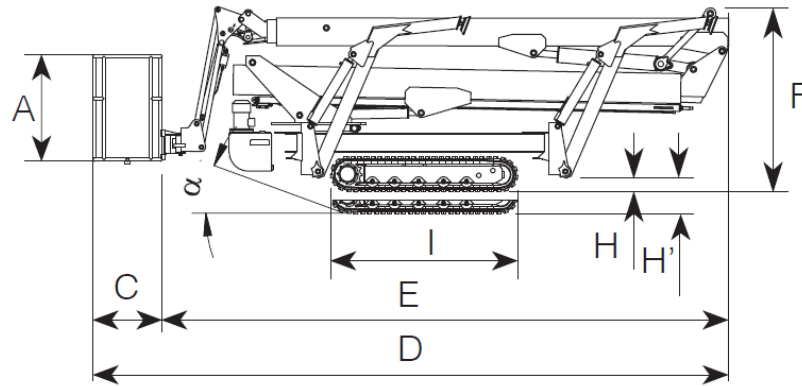
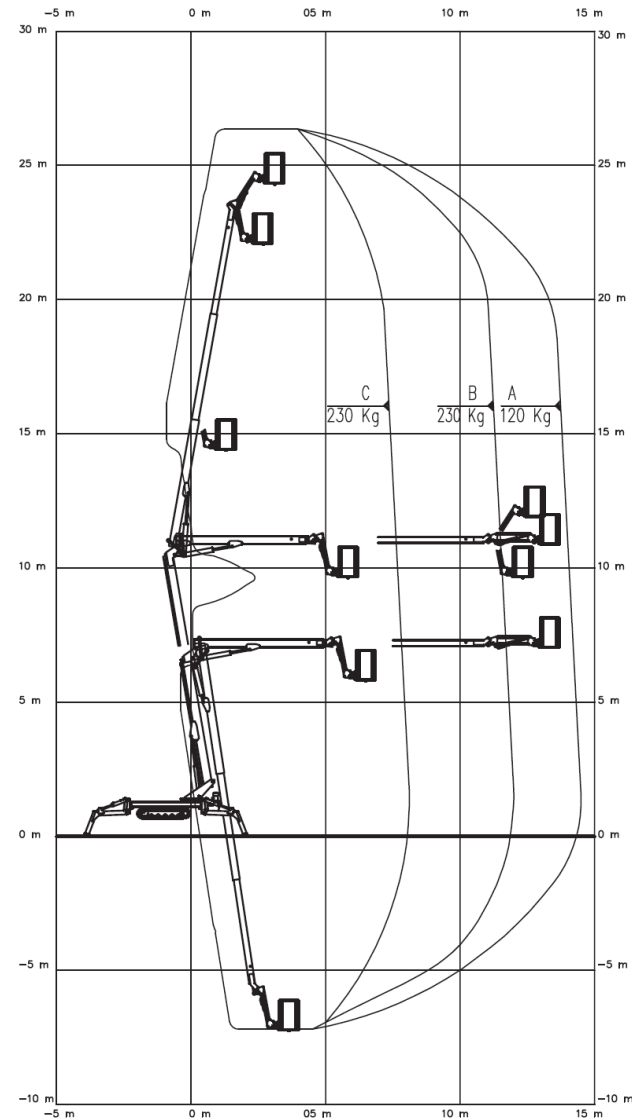
MEASURES

CAGE HEIGHT (A)	1.10 m
CAGE LENGTH (B)	1.40 m
CAGE WIDTH (C)	0.70 m
LENGHT (D)	5.24 m
LENGHT WITHOUT CAGE (E)	4.54 m
HEIGHT (TRAVELLING POSITION) (F)	1.99 m
WIDTH, MIN (G)	0.83 m
WIDTH, MAX (G')	1.10 m
GROUND CLEARANCE (H)	0.22 m
TRACK (L x W) (I)	1.60 x 0.20 m
LENGTH OUTRIGGER STANDARD (J)	2.95 m
WIDTH OUTRIGGER STANDARD (K)	2.95 m
OUTRIGGER PLATE (Ø)	0.20 m

SL5

Weight	2,850kg	6,283lbs
Cage Capacity	230kg	507lbs
Diesel Engine	Kubota	
Engine Power	12.5kW	16.8hp
Gradeability	30%	16.7°

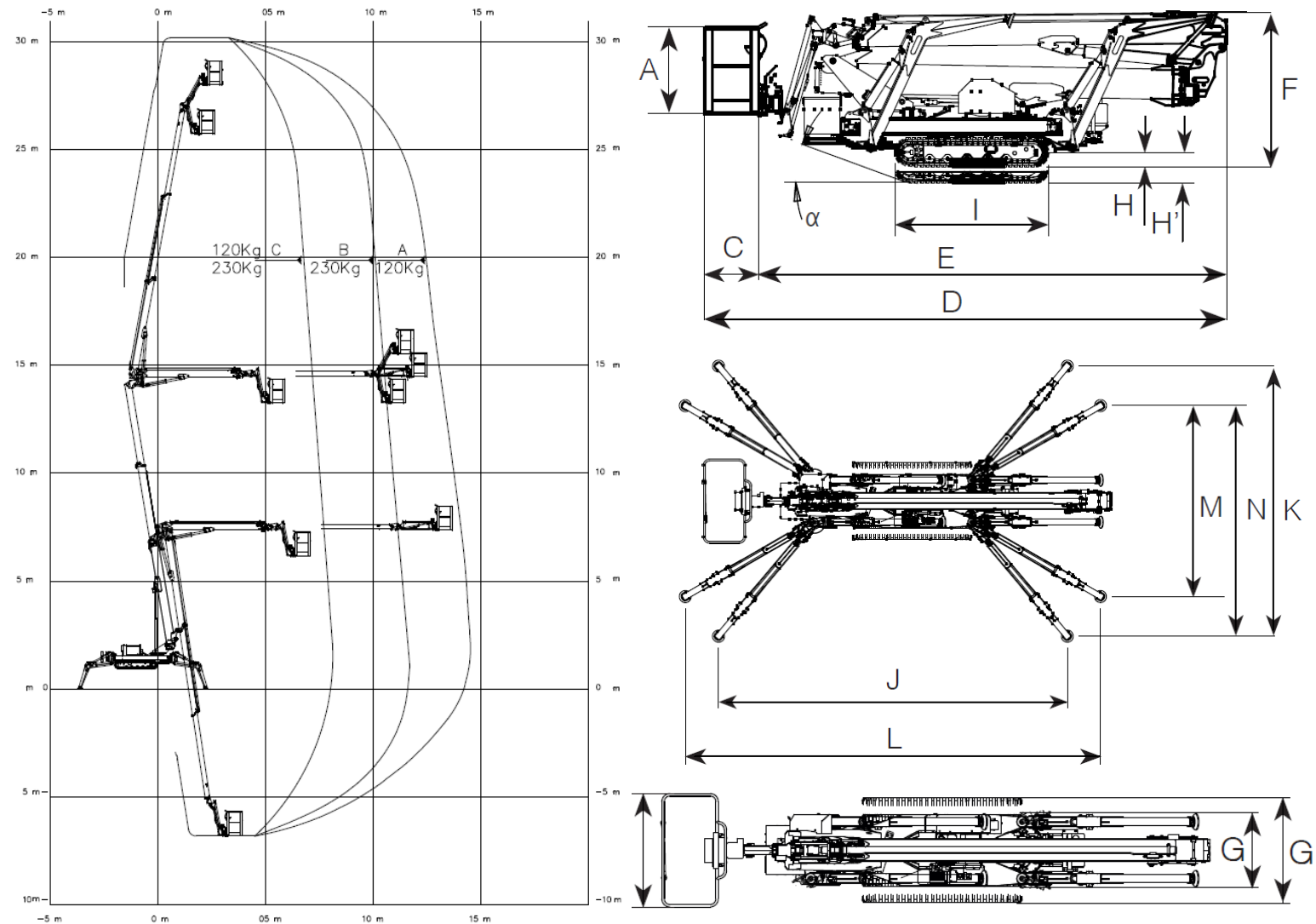
SL6 - 26m (85' 7")



MEASURES	
CAGE HEIGHT (A)	1.10 m
CAGE LENGTH (B)	1.40 m
CAGE WIDTH (C)	0.70 m
LENGTH (D)	6.70 m
LENGTH WITHOUT CAGE (E)	6.00 m
HEIGHT (TRAVELLING POSITION) (F)	1.99 m
WIDTH, MIN (G)	0.89 m
WIDTH, MAX (G')	1.29 m
GROUND CLEARANCE, MIN (H)	0.10 m
GROUND CLEARANCE, MAX (H')	0.20 m
TRACK (L x W) (I)	1.99 x 0.23 m
LENGTH OUTRIGGER STANDARD (J)	5.80 m
WIDTH OUTRIGGER STANDARD (K)	4.50 m
LENGTH OUTRIGGER NARROW (L)	6.90 m
WIDTH OUTRIGGER NARROW (M)	3.15 m
WIDTH OUTRIGGER MEDIUM (N)	3.80 m
OUTRIGGER PLATE (Ø)	0.20 m

SL6		
Weight	3800kg	8,378lbs
Cage Capacity	230kg	508lbs
Diesel Engine	Kubota	
Engine Power	18.5kW	25hp
Gradeability	30%	16.7°

SL7 - 31m (101' 9")



MEASURES

CAGE HEIGHT (A)	1.10 m
CAGE LENGTH (B)	1.40 m
CAGE WIDTH (C)	0.70 m
LENGHT (D)	6.80 m
LENGHT WITHOUT CAGE (E)	6.10 m
HEIGHT (TRAVELLING POSITION) (F)	1.99 m
WIDTH, MIN (G)	0.89 m
WIDTH, MAX (G')	1.29 m
GROUND CLEARANCE, MIN (H)	0.10 m
GROUND CLEARANCE, MAX (H')	0.20 m
TRACK (L x W) (I)	1.99 x 0.23 m
LENGTH OUTRIGGER STANDARD (J)	5.80 m
WIDTH OUTRIGGER STANDARD (K)	4.50 m
LENGTH OUTRIGGER NARROW (L)	6.90 m
WIDTH OUTRIGGER NARROW (M)	3.15 m
WIDTH OUTRIGGER MEDIUM (N)	3.80 m
OUTRIGGER PLATE (Ø)	0.20 m

SL7

Weight	4100kg	9,039lbs
Cage Capacity	230kg	508lbs
Diesel Engine	Kubota	
Engine Power	18.5kW	25hp
Gradeability	30%	16.7°

