

# SECURITY CLEANER'S SINK



Scan QR code  
to view online



## features and benefits

- Grade 304 S.S. satin finish tub
- Grade 304 S.S. hinged bucket grate
- Large 46L bowl capacity
- Stainless Steel Security Shroud
- Secured with Security Screws
- Suits cleaner's rooms
- Optional splashback
- Optional tapware

## about

The *BRITEX Security Stainless Steel Cleaner's Sink* consists of an extra large grade 304 stainless steel 46 litre tub and a robust stainless steel hinged grate for support and storage of buckets. Security model is provided with a seamless side panels stitch welded onto the basin and front panel secured with security screws for access. Stainless Steel hinge and grate is also secured down to the unit with security screws. This is an extremely sturdy, heavy duty product designed to handle significant wear and tear. Additional splashback (up to 1000mm high) and tapware optional.

## sample spec. text

*BRITEX Security Cleaner's Sink - 600x500x600mm Deep. 46L Bowl Capacity. Supplied with stainless steel bucket grate, security shroud and 50mm waste outlet. Unit to be secured with security screws - Product Code CS-SEC*

\*RED TEXT may denote a **variable** where one option only is to be selected, a **nominal dimension** that needs to be specified, or an **optional feature** that can be removed if not required. Please refer to the back of this page for additional specification details and options.

VISIT [BRITEX.COM.AU](http://BRITEX.COM.AU) TO DOWNLOAD BIM FILES, CAD DRAWINGS AND THE MOST CURRENT PRODUCT LITERATURE.



**MELBOURNE**  
Britex Place, Mirra Crt  
Bundoora VIC 3083  
t (03) 9466 9000  
f (03) 9466 9044

**SYDNEY**  
16 Northumberland Drv  
Taren Point NSW 2229  
t (02) 9531 2100  
f (02) 9531 2800

**PERTH**  
Unit 1/8 Principal Link  
Malaga WA 6090  
t (08) 9249 5464  
f (08) 9248 6893

**BRISBANE**  
19 Manilla St  
East Brisbane QLD 4169  
t (07) 3363 2400  
f (07) 3363 2444

**ADELAIDE**  
The Britex Group  
SA State Office  
t 1300 764 744  
f 1300 784 306

# SECURITY CLEANER'S SINK

PRODUCT CODE

**CS-SEC** with Wall Brackets only

## Suggested Tapware:

(see Tapware Section: 11 for complete range of options)



**TW-SET-01**  
Wall Sink Set  
with Fixed Spout



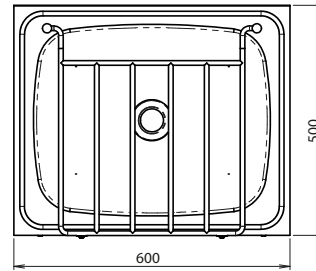
**TW-SET-04**  
Wall Sink Set  
with Upswept  
Swivel Spout



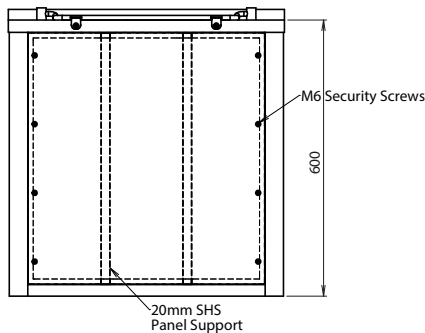
**TW-SET-05**  
Wall Sink Set  
with Gooseneck  
Swivel Spout



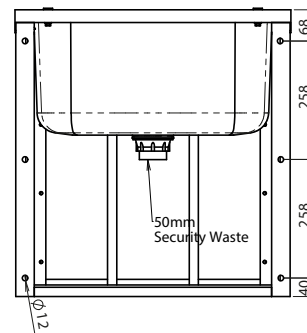
**TW-0010/TW-0011**  
Vandal Resistant  
Hot and Cold  
Deluxe Bib Taps



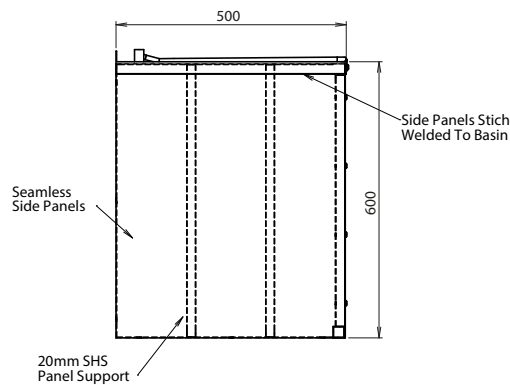
**MODEL CS-SEC** Plan and Detail



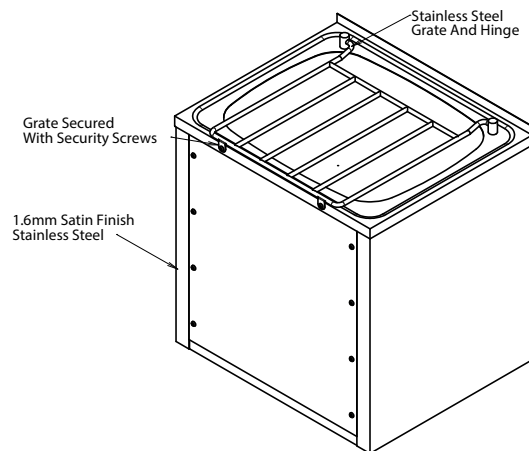
**MODEL CS-SEC** Front Elevation



**MODEL CS-SEC** Section



**MODEL CS-SEC** Side Elevation



**MODEL CS-SEC** Isometric View

*When specifying this product please include:*

- Product **Name** and **Code**
- Product **Dimensions**
- **Mounting Type** (brackets and legs or wall brackets only)

specifying  
guide

options

- Splashback panel - up to 1000mm
- Tapware

VISIT [BRITEX.COM.AU](http://BRITEX.COM.AU) TO DOWNLOAD BIM FILES, CAD DRAWINGS AND THE MOST CURRENT PRODUCT LITERATURE.

Last Revised 2019



Due to ongoing research and our commitment to product development, details are subject to change without notice. Details accurate at time of print. Please refer to [britex.com.au](http://britex.com.au) for the most current product information. Allow +/- 5mm tolerance for dimensions and setouts shown in product literature.

[britex.com.au](http://britex.com.au) | [info@britex.com.au](mailto:info@britex.com.au) | A.B.N 83 004 309 737

