

# FLAT BODY CYLINDERS

- Made of high quality steel
- Extremely low collapsed height for applications with minimal clearance at the lift point
- Maximum working pressure 10,000 psi / 700 bar
- HF0503 and HF0503B come with 3/8" regular flow coupler



HF10006



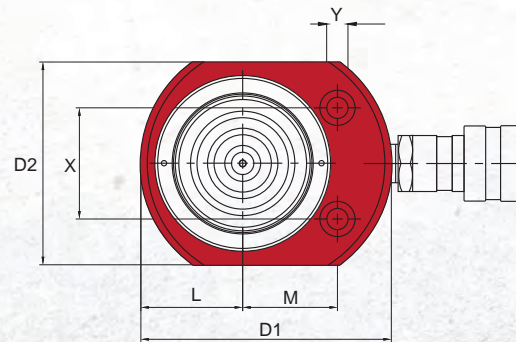
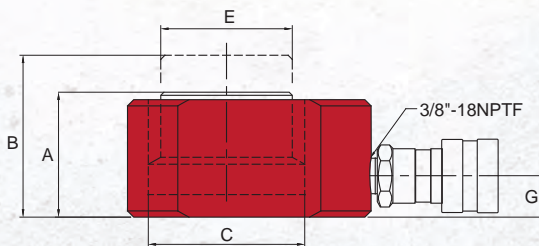
HF0503



**High-Flow Coupler:CH38F  
Included on all models**

\*except HF0503 comes with CR38F

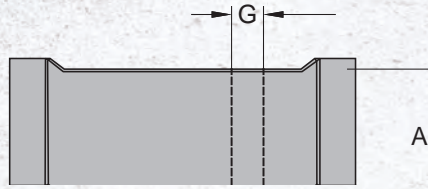
Cylinder Capacity (tons)	Stroke (in)	Model Number	Cylinder Effective Area (in <sup>2</sup> )	Pressure at Capacity	Oil Capacity (in <sup>3</sup> )	Weight (lbs)
5	0.24	HF0503*	1.10	9,090	0.26	1.3
10	0.43	HF1005	2.36	8,470	1.01	3.3
20	0.43	HF2005	4.38	9,130	1.88	5.9
30	0.51	HF3005	6.49	9,240	3.31	9.7
50	0.63	HF5006	9.86	10,140	6.21	14.9
75	0.63	HF7506	16.1	9,320	10.14	25.4
100	0.63	HF10006	19.64	10,180	12.37	31.5
150	0.63	HF15006	30.67	9,780	19.32	53.4



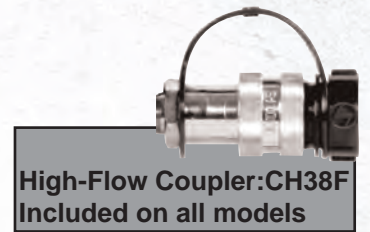
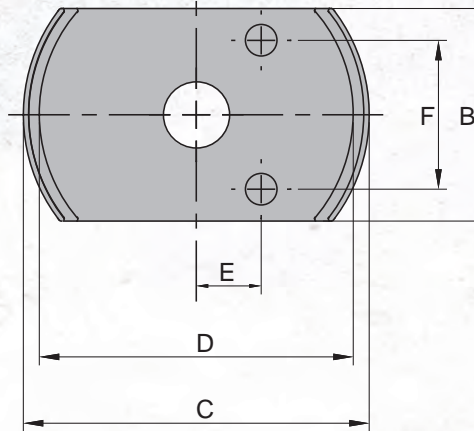
Model Number	Col-lapsed Height A (in)	Ex- tended Height B (in)	Cylinder Bore Dia. C (in)	Outside Dim. D1 x D2 (in)	Rod Dia. E (in)	Base to Port G (in)	Rod to Base L (in)	Rod to Mtg. Hole M (in)	Hole Pitch X (in)	Hole Dia. Y (in)	Counter Bore Dia. (in)	Counter Bore Depth (in)
HF0503*	1.26	1.50	1.18	2.4x1.6	0.98	0.69	0.80	0.87	1.12	0.2	0.31	0.17
HF1005	1.69	2.12	1.73	3.3x2.2	1.50	0.77	1.12	1.32	1.44	0.28	0.42	0.31
HF2005	2.01	2.44	2.36	4.0x3.0	2.00	0.75	1.54	1.56	1.94	0.40	0.59	0.39
HF3005	2.31	2.82	2.87	4.6x3.8	2.50	0.79	1.88	1.75	2.06	0.40	0.63	0.44
HF5006	2.64	3.27	3.54	4.5x4.5	2.76	0.79	2.25	2.13	2.62	0.43	0.75	0.50
HF7506	3.13	3.76	4.53	6.5x5.5	3.54	0.77	2.75	2.63	3.00	0.51	0.83	0.56
HF10006	3.37	4.00	5.00	7.0x6.0	3.54	0.79	3.00	2.94	3.00	0.51	0.83	0.56
HF15006	3.94	4.57	6.25	8.5x7.5	4.65	0.94	3.75	3.25	4.62	0.51	0.83	0.56

## FLAT BODY CYLINDER KITS

- Various height magnetic adapters eliminate dangerous cribbing
- Convenient carrying case
- Magnetic adapters are stackable
- U.S. Patent No.7,237,762 B2



Magnet shim



High-Flow Coupler:CH38F  
Included on all models

\*except HF0503B come with CR38F

Cylinder Capacity (tons)	Stroke (in)	Model Number	Cylinder Model	Oil Capacity (in <sup>3</sup> )	Collapsed Height (in)	Adapter	Adapter Dimensions							Weight (lbs)
							A (in)	B (in)	C (in)	D (in)	E (in)	F (in)	G (in)	
5	0.24	HF0503B*	HF0503	0.26	1.26	I	0.17	1.61	2.56	2.32	0.48	1.10	0.24	5.5
						II	0.42	1.61	2.56	2.32	0.48	1.10	0.24	5.5
						III	0.92	1.61	2.56	2.32	0.48	1.10	0.24	5.5
						IV	1.17	1.61	2.56	2.32	0.48	1.10	0.24	5.5
10	0.43	HF1005B	HF1005	1.02	1.69	I	0.39	2.20	3.54	3.23	0.81	1.46	0.28	9.2
						II	0.79	2.20	3.54	3.23	-	-	-	9.2
						III	1.57	2.20	3.54	3.23	-	-	-	9.2
20	0.43	HF2005B	HF2005	1.90	2.01	I	0.39	2.99	4.25	3.94	1.08	1.93	0.39	15.0
						II	0.79	2.99	4.25	3.94	-	-	-	15.0
						III	1.57	2.99	4.25	3.94	-	-	-	15.0
30	0.51	HF3005B	HF3005	3.32	2.31	I	0.39	3.75	4.76	4.45	1.32	2.06	0.39	21.0
						II	0.79	3.75	4.76	4.45	-	-	-	21.0
						III	1.57	3.75	4.76	4.45	-	-	-	21.0
50	0.63	HF5006B	HF5006	3.32	2.31	I	0.39	4.49	5.89	5.57	1.61	2.62	0.43	32.32
						II	0.79	4.49	5.89	5.57	-	-	-	32.32
						III	1.57	4.49	5.89	5.57	-	-	-	32.32