

## GAS BRATT PAN MANUAL TILTING 60 LT - STAINLESS STEEL TANK

### QUEEN7

- 15/10 worktop thickness
- Stainless steel, Scotch-Brite finish
- Sturdy and powerful with compact design
- Depth of 700 mm means it will fit the most common configurations
- Catalogue offers more than 300 standard models
- Worktop, base cabinet and oven Versions
- Twin-piece knobs prevent the infiltration of dirt and are watertight
- Gas kitchens having burners with various configurations and power ratings: 3.5 kW - 5.7 kW - 7.0 Kw
- Wide range of accessories



### Technical / functional characteristics

- Manual water fill.
- Self-balanced lid with double steel wall.
- Safety device interrupting power supply when tub is lifted.
- Adjustable temperature from 100 to 280°C.
- Stable flame burner.
- Electric ignition.
- Thermocouple safety valve.

| DIMENSIONS                    |               |
|-------------------------------|---------------|
| Width (mm)                    | 800           |
| Depth (mm)                    | 700           |
| Height (mm)                   | 900           |
| Gas connection (∅)            | 3/4"          |
| Electric connection (V/~ /Hz) | 230V/1N 50 Hz |
| Cold water connection (∅)     | 3/4"          |
| Hot water connection (∅)      |               |

|                                |     |
|--------------------------------|-----|
| Cold soft water connection (∅) |     |
| Drain (∅)                      |     |
| Gas power (Mj/hr)              | 50  |
| Electric power (kW)            | 0.2 |
| Plate dimensions (mm)          |     |
| Tank capacity (L)              |     |
| Tank dimensions (mm)           |     |
| Internal oven dimensions (mm)  |     |

MODEL

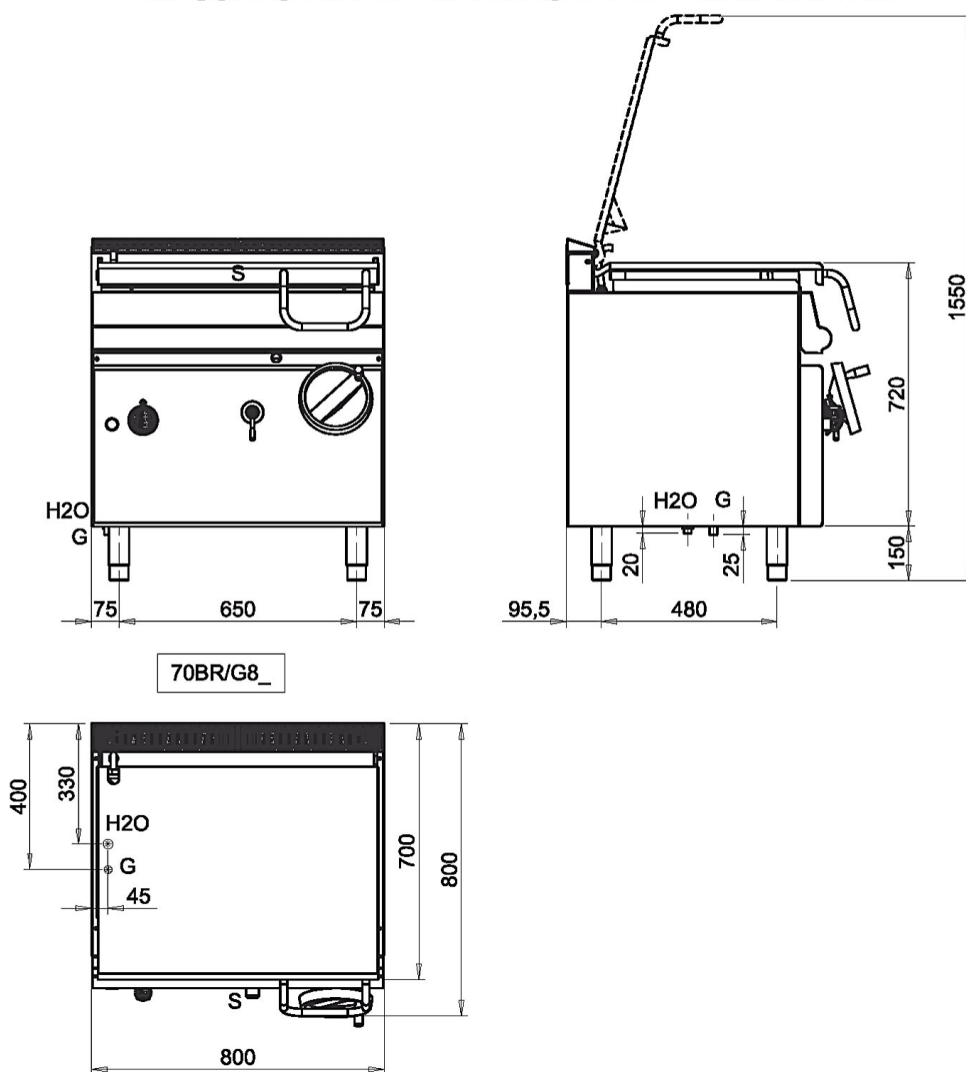
Q70BR/G80

CODE

CR1014689

SCHEMA DI INSTALLAZIONE - INSTALLATION DIAGRAM - INSTALLATIONSPLAN - SCHÉMA D'INSTALLATION - ESQUEMA DE INSTALACION - INSTALLATIESCHEMA - IINSTALLATIONSRTNINGAR

MISURE IN mm - DIMENSIONS IN mm - ABMESSUNGEN IN mm  
MESURES EN mm - MEDIDAS EN mm - MATEN IN mm



Legenda - Legende - Key - Légende - Leyenda - Legenda

- G** Attacco arrivo gas - Gasanschluss - Gas connection - Arrivée gaz - Union de gas - Gasaansluiting
- H2O** Attacco arrivo acqua - Wasseranschluss - Water inlet - Arrivée eau - Union de agua - Wateraansluiting  
**EN ISO 228-1 G 3/4**
- S** Scarico vasca - Wannabflussrohr - Pan outlet - Vidange du bac - Descarga cuba - Water toevoer