

## CF2

### 400mm Single Pan Gas Fryer



CF2

- 400mm wide single pan fryer
- 18 litre oil capacity
- 90MJ/hr multi-jet target burner
- 25kg / hr production rate
- Stainless steel open pan (no tubes)
- 30mm drain valve
- Mechanical thermostat
- Manual pilot ignition
- Baskets and lid included
- Adjustable front feet and rear rollers
- Stainless steel finish

#### OVERALL CONSTRUCTION

- Stainless steel open tank with cool zone
- Stainless steel exterior front and sides
- Vitreous enamelled front panel
- Double skin door with stainless steel outer
- 63mm dia. stainless steel adjustable legs to front and two rollers at rear
- Two nickel plated wire baskets
- Stainless steel lid supplied standard

#### CONTROLS

- 100-190°C mechanical thermostat
- Over-temperature safety cut-out
- Manual ignition pilot burner with flame failure

#### CLEANING AND SERVICING

- Open stainless steel pan for easy clean
- Easy clean stainless steel exterior
- 30mm drain valve for effective draining
- Lift off basket hanger
- Access to all parts from front of unit

#### Matching Products



CW2H



CSP6



CN4



CT9



CW3H



CW1H



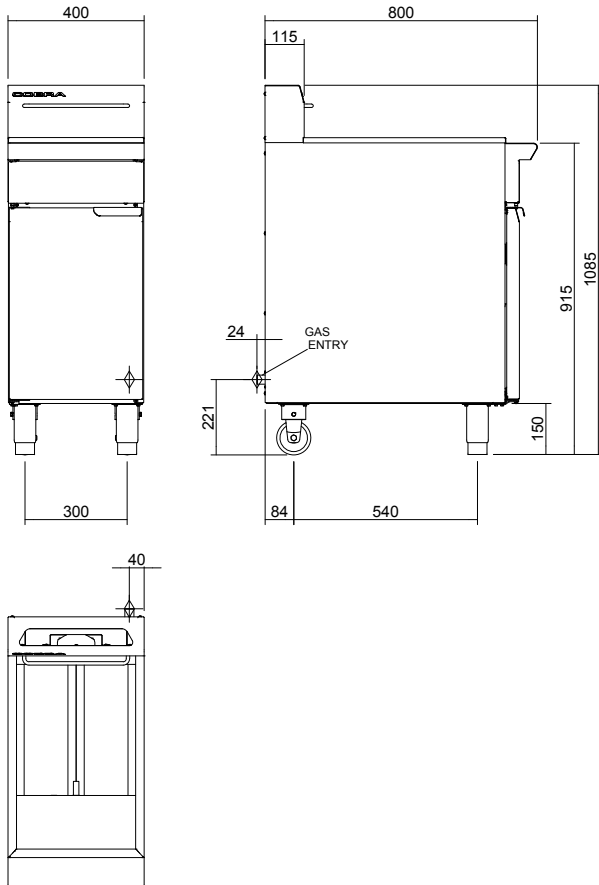
CP4



CS9 / C900-S

## CF2

### 400mm Single Pan Gas Fryer



#### CF2

##### SPECIFICATIONS

###### Burners

Multi-jet target burners

Gas power (gross)

90MJ/hr, 25kW

###### Pan size

Oil capacity 18L (32lbs shortening)

Width 305mm

Length 380mm

Oil frying depth 95mm

###### Gas connection

R 3/4 (BSP) male

40mm from RH side, 24mm from rear, and 221mm from floor

###### Dimensions

Width 400mm

Depth 800mm

Height 915mm

Incl. splashback 1085mm

Nett weight

61kg

###### Packing data

0.53m<sup>3</sup>, 76.5kg

Width 900mm

Depth 470mm

Height 1255mm

###### Gas types

Available in Natural gas and LP gas,

please specify when ordering

Other gas types on request

[moffat.com.au](http://moffat.com.au)

[moffat.co.nz](http://moffat.co.nz)

#### Australia

[moffat.com.au](http://moffat.com.au)

#### Moffat Pty Limited

Victoria/Tasmania  
740 Springvale Road  
Mulgrave, Victoria 3170  
Telephone +613-9518 3888  
Facsimile +613-9518 3833  
[vsales@moffat.com.au](mailto:vsales@moffat.com.au)

#### New South Wales

Telephone +612-8833 4111  
[nswsales@moffat.com.au](mailto:nswsales@moffat.com.au)

#### South Australia

Telephone +613-9518 3888  
[vsales@moffat.com.au](mailto:vsales@moffat.com.au)

#### Queensland

Telephone +617-3630 8600  
[qldsales@moffat.com.au](mailto:qldsales@moffat.com.au)

#### Western Australia

Telephone +618-9413 2400  
[wasaless@moffat.com.au](mailto:wasaless@moffat.com.au)

#### New Zealand

[moffat.co.nz](http://moffat.co.nz)

#### Moffat Limited

Rolleston  
45 Illinois Drive  
Izone Business Hub  
Rolleston 7675  
Telephone +64 3-983 6600  
Facsimile +64 3-983 6660  
[sales@moffat.co.nz](mailto:sales@moffat.co.nz)

#### Auckland

Telephone +64 9-574 3150  
[sales@moffat.co.nz](mailto:sales@moffat.co.nz)



ISO9001  
Quality  
Management  
Standard



Cert. No. AGA 6878G

In line with policy to continually develop and improve its products, Moffat Limited reserves the right to change specifications and design without notice.

© Copyright Moffat Ltd  
AN.C.01.19 / 1598