



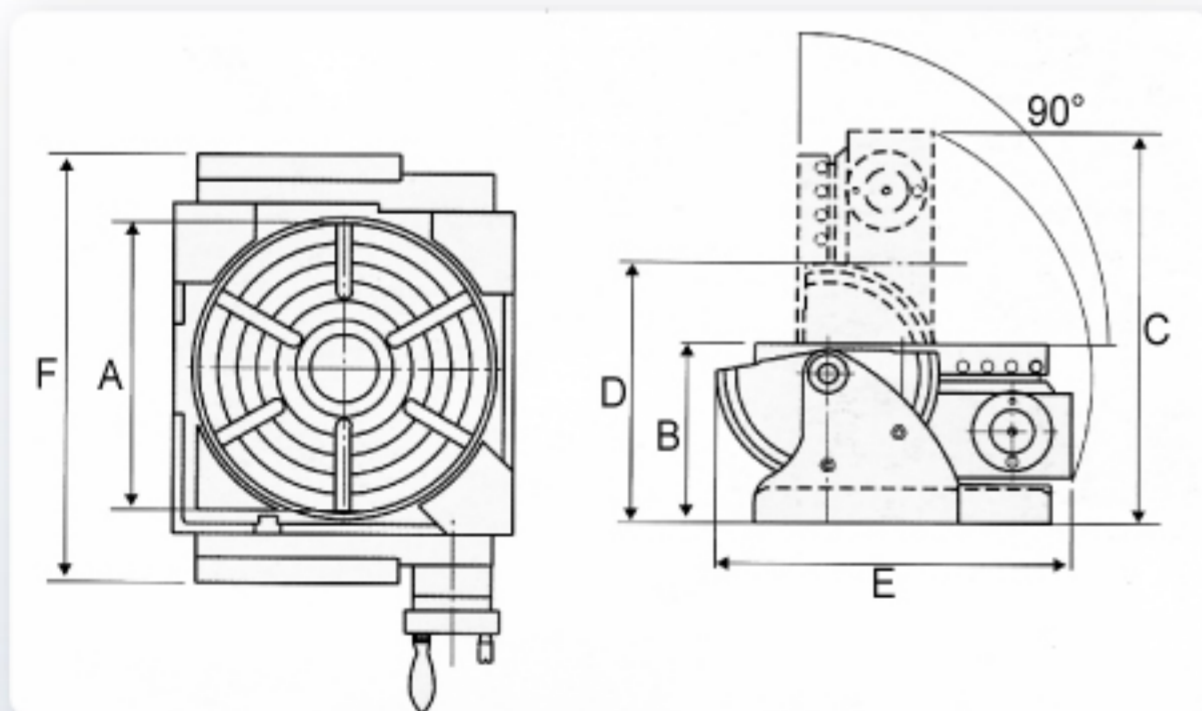
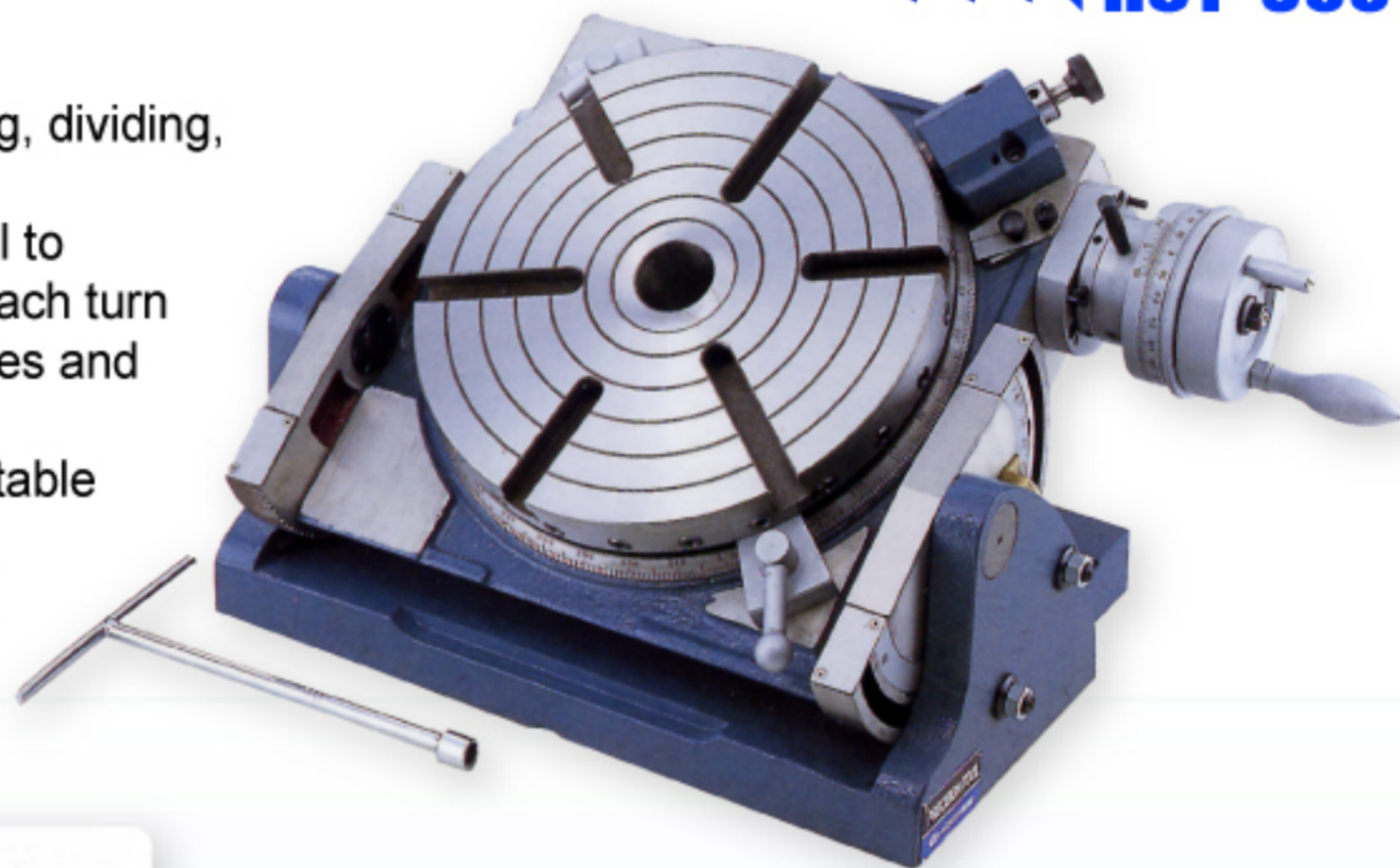
# TAIWAN TOOL

## Milling Machine Accessories / Rotary Table

◀◀◀ **HUT-300** ▶▶▶

### Features:

- 1-QUICK MANUAL INDEXING.
- 2-Suitable for milling, boring, shaping, drilling, dividing, setting angles and for circular cutting.
- 3-Tilting range of 90 degrees from horizontal to vertical position. For the tilting operation each turn of the handwheel tilts the table by 3 degrees and 5 minutes.
- 4-24 indexing holes around the edge of the table allow quick manual indexing.
- 5-Graduations are large and clearly marked for quick and easy setting of complex angles.



### Optional Accessories:



Tail Stock: TS-300



Dividing Plate set: DP-300

### Specifications:

Unit:mm

| Model          | Table diameter<br>A | Table height horizontal<br>B | Table height vertical<br>C | Center height vertical<br>D | E   | F   | Gear ratio | Center hole | Direct indexing | Weight (kg) |
|----------------|---------------------|------------------------------|----------------------------|-----------------------------|-----|-----|------------|-------------|-----------------|-------------|
| <b>HUT-300</b> | ø300                | 185                          | 405                        | 228                         | 336 | 444 | 90:1       | MT-5        | 24-div          | 93          |

\*Above information are for reference only. The machine design, specifications and construction are subject to change without prior notice.