

SW405K

PRODUCT SPECIFICATIONS



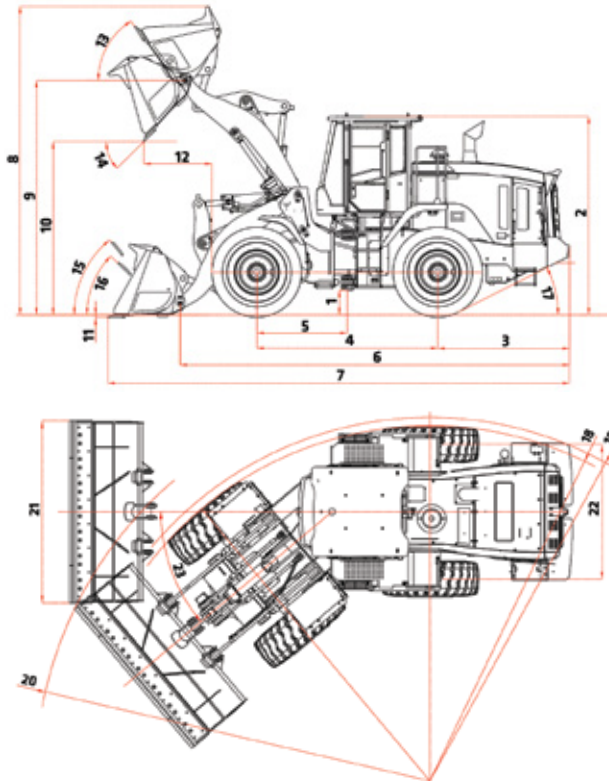
STANDARD FEATURES

- Engine: Deutz TCD 7.8
- Boom suspension system
- Differential Locking Axle
- Automatic Transmission Kick Down
- Bucket Self-Leveling and Return to Dig
- SANYLive Telematics
- Single joystick control
- Third Function Hydraulics
- Reversible fan
- Rear view camera

- ➔ **Net Power**
188 kW / 252 hp
- ➔ **Bucket Capacity**
3.06 m³ / 4.2 yd³
- ➔ **Operating Weight**
18,500 kg / 40,786 lb
- ➔ **Full Turn Tipping Load**
13100 kg / 28,881 lb

PRODUCT SPECIFICATIONS

MODEL: **SW405K** Wheel Loader



OVERALL DIMENSIONS

	METRIC	STANDARD
1 Height to Axle Centerline	440 mm	17"
2 Height to Top of Cab	3527 mm	139"
3 Center Line of Rear Axle to Edge of Counterweight	2330 mm	92"
4 Wheelbase	3200 mm	10' 6"
5 Center Line of Front Axle to Center Pivot	1600 mm	63"
6 Shipping Length without Attachment	6862 mm	22' 6"
7 Shipping Length with Bucket	8142 mm	26' 8"
8 Max. Dump Height	5441 mm	17' 10"
9 Hinge Pin Height at Max. Lift	4133 mm	13' 6"
10 Dump Clearance at Max. Lift	3118 mm	10' 3"
11 Dig Depth, Level Bucket	56 mm	2.2"
12 Reach at Max. Lift and 45° Discharge	1140 mm	45"
13 Roll Back at Max. Lift		58°
14 Dump Angle at Max. Lift and Dump		45°
15 Roll Back at Carry Height		51°
16 Roll Back at Ground		45°
17 Tail Angle to the Rear Wheel		27°
18 Clearance Circle to Outside of Tires	5800 mm	19'
19 Clearance Circle to Counterweight	5911 mm	19' 5"
20 Max. Circle	6456 mm	21' 2"
21 Width of the Bucket	3000 mm	9' 10"
22 Width	2200 mm	87"
21 Articulation Angle		+/- 40°

Machine Parameters

Engine

Engine Model	Deutz TCD7.8
Max Gross Power	262 hp
Net Engine Power	252 hp
Max Gross Torque	962 ft lbs
Displacement	7.8 ltr

Operating

Bucket Capacity	4.2 cubic yards
Breakout Force	39,683 lbs
Tipping Load Straight	31,967 lbs
Tipping Load @ Full Turn	28,881 lbs
Clearance (full lift 45° dump)	10' 2"
Reach (full lift 45° dump)	3'10"

Weight

Operating Weight	40,786 lbs
------------------	------------

Hydraulic System

Max Flow	81 GPM
Max Pressure	3916 PSI

Hydraulic Cycle Times

Raise	5.4 sec
Dump	1.9 sec
Float Down	3.3 sec
Total Cycle Time	10.6 sec

Service Capacities

Fuel Tank	85 gal
Cooling System	5.25 gal
Engine Crankcase	6 gal
Transmission	4.7 gal
Front Axle	5 gal
Rear Axle	5 gal
Hydraulic Tank	31 gal
DEF Tank	10.5 gal

Transmission

Shift Modes	Automatic, Manual, Kick Down
Forward Gear 1-4	4-25 mph
Reverse Gear 1-4	4-16 mph

Power Train

Front Axle	Fixed
Traction Aid	Manual Differential Lock
Rear Axle	Oscillating
Traction Aid	Open Differential
Service Brakes	Wet Disk
Parking Brake	Disk Brake