

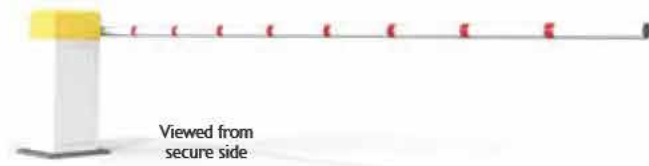
Product Range > Gates > Vertical Boom

☎ 1300 780 450

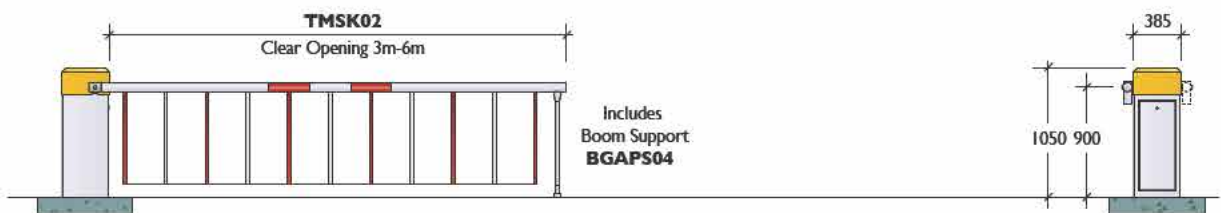
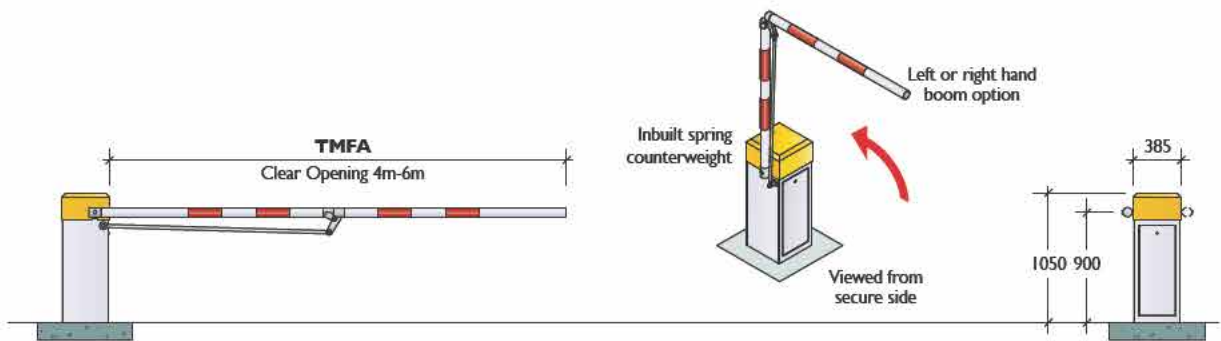
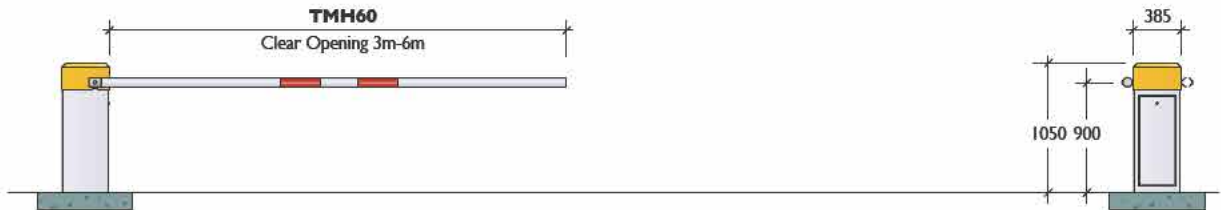
Industrial TM Series – Electric

Fabrication

Boom Arm
75 Ø Aluminium Pipe



Viewed from secure side



The TM Series of boom gates is the most popular and widely used in the range. A reliable 'workhorse', it is both economical to operate and easy to maintain.

The Drive Unit

The majority of Leda's industrial boom gates are driven by a 100% duty cycle torque motor designed for alternating current which does not require limit switches nor a friction clutch. They are virtually maintenance-free and can be stalled in any position without causing any damage to the motor. The boom gates are factory-wired, tested, ready to connect and supplied with all necessary mounting accessories.

Technical Data

Drive Unit	Torque Motor
Power / Rating	240V / 120W / 50Hz Frequency
Open / Close Speed	Average 4 seconds (approx 1 sec/m boom length)
Boom	Material $\phi 75 \times 1.6\text{mm}$ aluminium, white powdercoat
	Length Maximum 6000mm
Housing	Size 300 x 300 x 1000mm height
	Finish 2mm zinc plated sheet, powder coated
	Weight 45kg

Vertical Boom Industrial	Manual Override	Clear Opening Width Range	Height Range
TMH60	Inbuilt spring	3.0m-6.0m	0.9m
TMFA	Articulated Arm Inbuilt spring	4.0m-6.0m	0.9m
TMSK02	with Skirt External counterweight	7.0m-8.0m	0.9m

Stainless steel cabinets also available, add S prefix to Product Code. (eg. **STMH60**)