

AMETHYST (AMC 2140)



Specifically designed for Gynaecological and Obstetric procedures such as transvaginal scanning.

Electric adjustments of height, back rest and drop down foot section.

Designed to reduce OH&S risks and minimise manual handling.



5 Year warranty
on electrical components



Lifetime warranty
on frame and workmanship



Australian Made

Features

Movements powered by high quality electric actuators, reducing OH&S risks.

Supplied with hand control switch.

Converts to examination table for general scanning procedures.

Low minimum height gives patients the ability to easily get on and off the couch, including wheelchair transfer.

Carefully considered base design allows easy side access for patients and practitioners.

Access under couch for patient lifting devices.

125mm lockable wheels allow effortless movement of the couch.

Basic specifications

Width: 610mm

Length: 1850mm

Back rest tilt: 75°

Height adjustment: 450mm - 1000mm

Lifting capacity: 200kg

Wheels: 125mm lockable castors

Optional customisations

Backward couch tilt (Trendelenburg)

Foot switch control, for hands free operation

Extra width - 660mm

Battery pack

Head cushion

Paper roll holder

Wide variety of fabric colours available

Padded swivel arm rest set, suitable for Phlebotomy

Stainless steel seat for Urology

Standard arm rest set

Heine light

White LED light, attached to the couch or to a moveable stand



Majac Medical Products Pty Ltd

Ph: +617 3265 6355

Fax: +617 3865 2729

sales@majacmedical.com.au

www.majacmedical.com.au

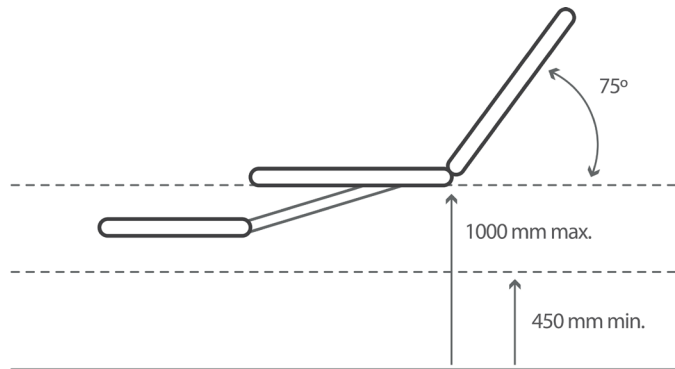


FS 540017

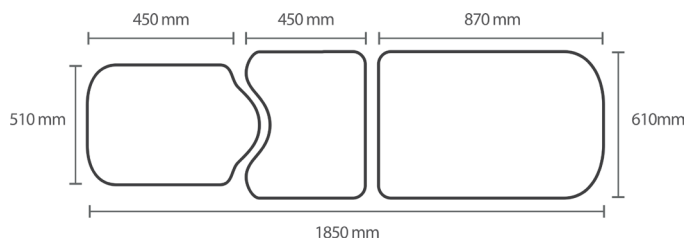
Also Available From:

AMETHYST (AMC 2140)

Side view



Top view



Optional customisations



Trendelenburg



Head cushion



Padded, swivel arm rest



Paper roll holder

Detailed specifications

Head section length: 870mm

Middle section length: 450mm

Foot section length: 450mm

Vinyl specifications:

UV resistant

Flame resistant

Easy to clean

Sanitised to inhibit growth of bacteria

Complies with AS 1530.3 standards

Variety of colours available

Foam specifications: 50mm foam

Frame material and colour:

Powder coated white frame

Australian steel

Wheel system:

Individual 125mm brake castors made by Tente

Drive actuators:

Hi/lo: Dewert electric actuator system

Back rest: Dewert electric actuator system

Foot section: Dewert electric actuator system

Electrical specifications: 240B 50H 26VDC 105W

Electrical standards: IPX4 rating

Lift capacity: 200kg

Shipping weight: 70 - 85 kg

Shipping dimensions:

2130mm x 820mm x 700mm

Freight charges:

Not included in sale price.

Contact our sales representatives for a quote.

ARTG number: 208309

Warranty:

Lifetime on frame and workmanship

5 years on electrical components

Suitable for use in:

- GENERAL EXAMINATION
- ULTRASOUND
- TREATMENT ROOMS
- GYNAECOLOGY & OBSTETRICS
- VASCULAR
- CARDIOLOGY
- DERMATOLOGY
- ENT
- PODIATRY
- COSMETIC SURGERY

- RENAL DIALYSIS
- CHEMO / DAY ONCOLOGY
- BLOOD COLLECTION
- DAY RECOVERY
- ICU
- DAY SURGERY
- SPECIALIST APPLICATIONS