

R10L100-SPT269

10.4" IP69K Stainless PCAP Chassis Display



KEY FEATURES

- 10.4", 1024 x 768, PCAP touch with flat design, IP69K Stainless PCAP Chassis Display
- Full IP69K waterproof enclosure
- SUS 316/ AISI 316 stainless steel for food and chemical industries
- Support VESA / YOKE mount
- Optical bonding (optional)



SPECIFICATIONS

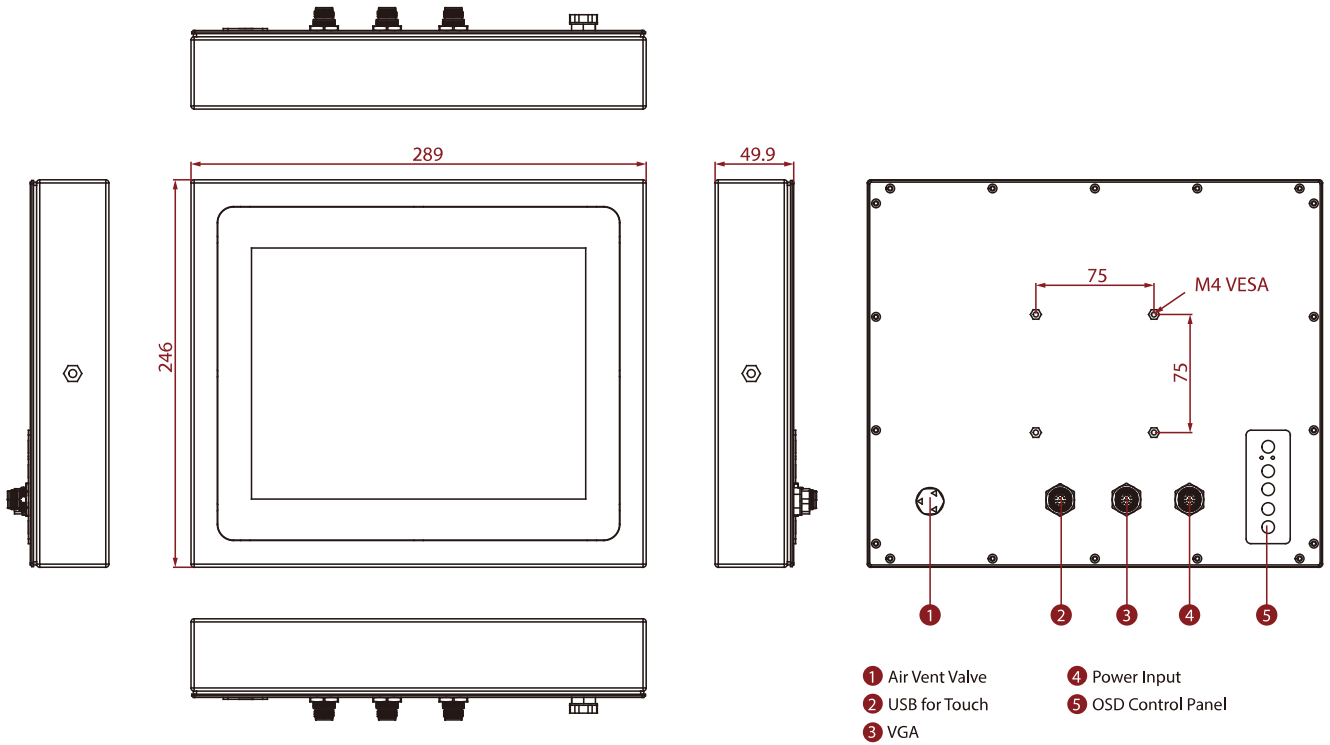
Display			
Resolution	1024x768	Size	10.4 inches
Contrast Ratio	1000:1	Panel Brightness	350.0 nits
Display Color	16.2M Colors	View Angles	88,88,88,88
Active Area	210.4x157.8 mm	Touch / Glass	Projected Capacitive Multi Touch Screen
Mechanical			
Dimension	289 x 246 x 49.9 mm	Weight	3.8Kg
Mounting	VESA Mount Yoke Mount	Enclosure	Stainless Housing
Cooling System	Fanless design		
Environment			
Operating Humidity	10% to 90% RH, Non-Condensing	Operating Temperature	0°C to 45°C
Storage Temperature	-20°C to 60°C	IP rating	IP69K
Certification			
Certification	CE, FCC		
IO Ports			
USB Port	1 x M12 waterproof connector for touch screen control	Video	1x M12 type connector for VGA input 1x waterproof connector for DVI input (Optional) 1x waterproof connector for HDMI input (Optional)
Indicator	1 x LED Indicator for power 1 x LED Indicator for status		
Control			
Button	1 x Power Button 1 x Adjust up button 1 x Adjust down button 1 x ESC (Auto) button 1 x OK (Menu) button		
Accessory			
Accessory	100~240V AC to DC Adapter with waterproof connector Power Cord External USB cable with waterproof connector for	Optional Accessory	External HDMI cable with waterproof connector (Optional) External DVI cable with waterproof connector (Optional)

touchscreen control
External VGA cable with waterproof connector
Waterproof caps
Manual
VESA screws

Power

Power Rating 12V DC (M12 type)

DIMENSIONS UNIT:MM



NOTE

1. This is a simplified drawing and some components are not marked in detail.
2. Please contact our sales representative if you need further product information.
3. All specifications are subject to change without prior notice.
4. The product shown in this datasheet is a standard model. For diagrams that contain customized or optional I/O, please contact the Winmate Sales Team for more information.