



**Laboratory Equipment Pty Ltd**

# **INSTRUCTION MANUAL FOR LABORATORY HOMOGENIZERS**

*Laboratory Equipment Pty Ltd*

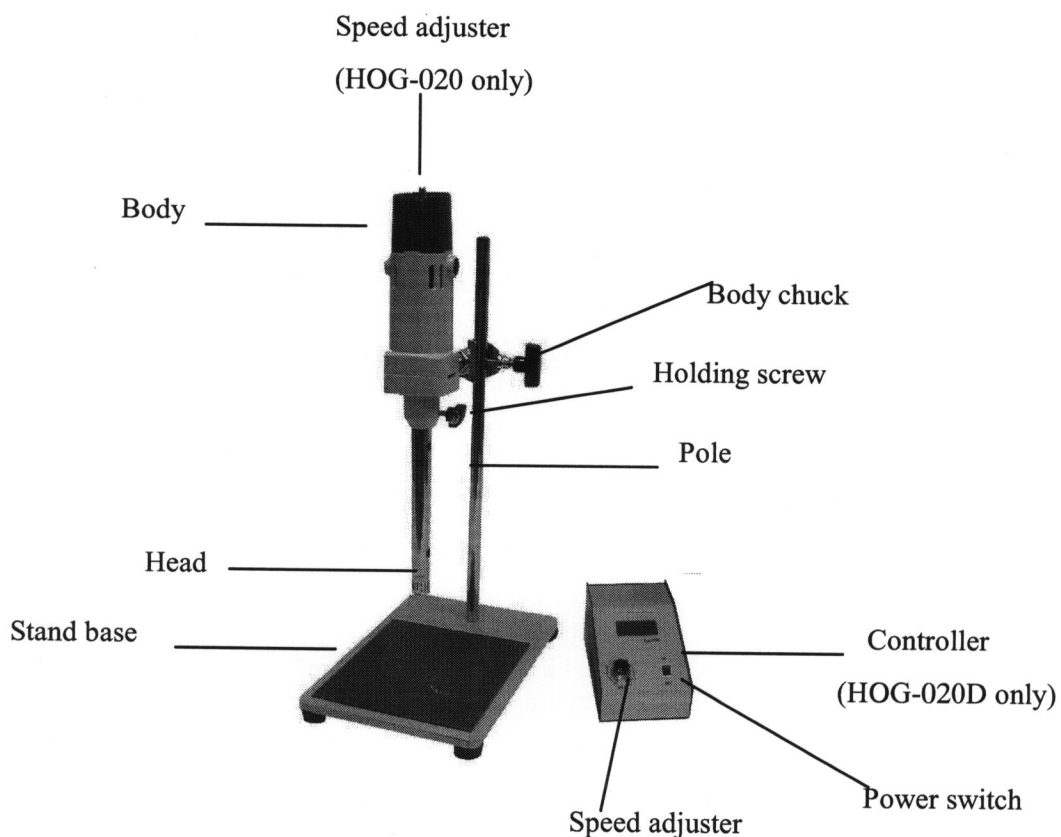
*"Proudly Australian Owned and Operated."*

26 Farr Street, Marrickville NSW 2204

Phone +61 02 95602811 Fax +61 02 95606131

[www.labec.com.au](http://www.labec.com.au)

## *I · OUTLINE*



## *II · SPECIFICATION*

Model	HOG-020 / HOG-020D
Power	AC 110 / 220V , 50 / 60 Hz
Motor	AC 250W
Max. speed (rpm)	26,000
Driver	Electronic type
Safety device	Fuse
Coating	Medicine-resisting
Weight (kg)	7

### ***III, OPERATION INTRODUCTION***

1. Put container on stand base and keep distance between the head and bottom of container.
2. Turn the speed button to the end of left side.
3. Put plug into socket and then switch to be "ON" to start it.
4. Adjust speed button to be proper speed per your demand.
5. When you stop it, please turn speed button to the end of left side.
6. Switch the key to be " OFF ”.

### ***IV, ATTENTION***

1. Do not start it without any material inside container.
2. The speed has to match material's viscosity to avoid head at empty rotation.
3. Bad fluid is not suitable to the instrument
4. Heads are changeable, please loose the holding screw and take head off.
5. After you clean or change head, please must fix and screw it tightly.

### ***V, INSPECTION***

When the machine is out of order, please check following possible facts:

1. Fuse burns out or not.
2. Carbon brushes at both sides of motor use out or contact improperly.
3. If carbon brushes use out, then take it off and renew it.

**If above have been checked and useless, please send the machine back to agent for further examination and maintenance.**

## ***VI, APPLICATION OF HEADS***

<b>Model</b>	<b>Applicable range</b>
GEN-0010	To homogenize or mix on cell tissue in micro volume.
GEN-0250	<ol style="list-style-type: none"><li>1. To disperse plant or animal tissue.</li><li>2. To treat suspensions and emulsions.</li><li>3. Homogenizing and mixing.</li><li>4. Extraction function.</li></ol>
GEN-2000	<ol style="list-style-type: none"><li>1. To disperse plant or animal tissue.</li><li>2. To treat suspensions and emulsions.</li><li>3. Homogenizing and mixing.</li><li>4. Extraction function.</li></ol>
GEN-3000	<ol style="list-style-type: none"><li>1. To disperse organic and inorganic matters.</li><li>2. Homogenizing and mixing.</li><li>3. Extraction function.</li></ol>

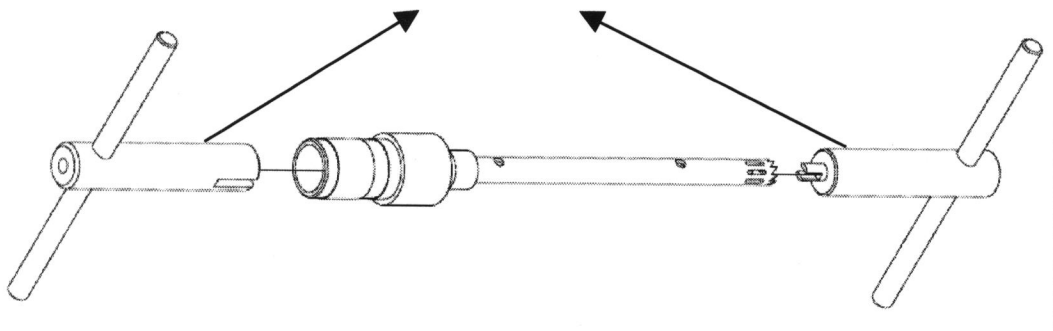
## ***VII, SPECIFICATION OF HEADS***

<b>Model</b>	<b>Circumference Speed (m/s)</b>	<b>Capacity (ml)</b>	<b>Size (mm)</b>
GEN-0010	6.3	0.3~10	φ7 x 130
GEN-0250	11.3	2~250	φ12 x 170
GEN-2000	20.1	20~2000	φ20 x 200
GEN-300	29.9	100~3000	φ30 x 250

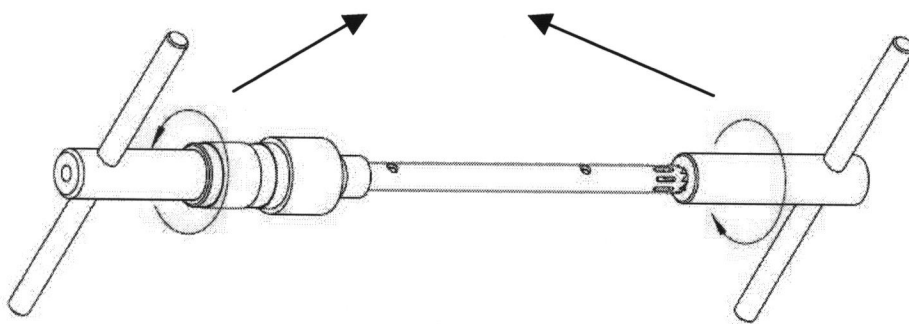
TO OPEN AND SEPARATED

**GEN-0010**

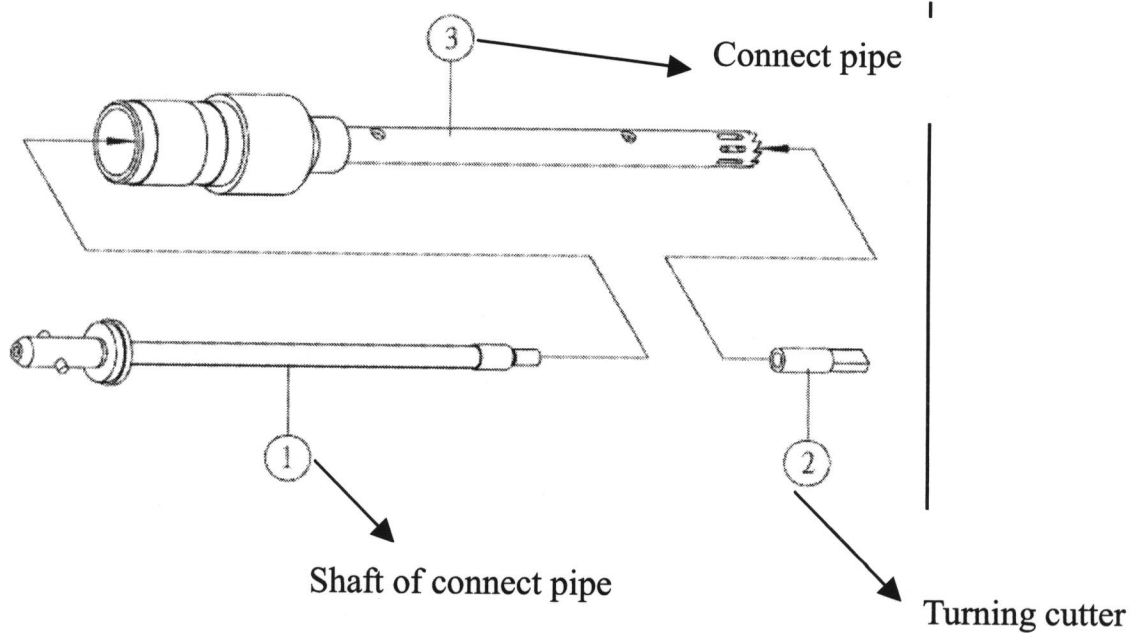
Insert the tools into the shaft



Turn the tools to open



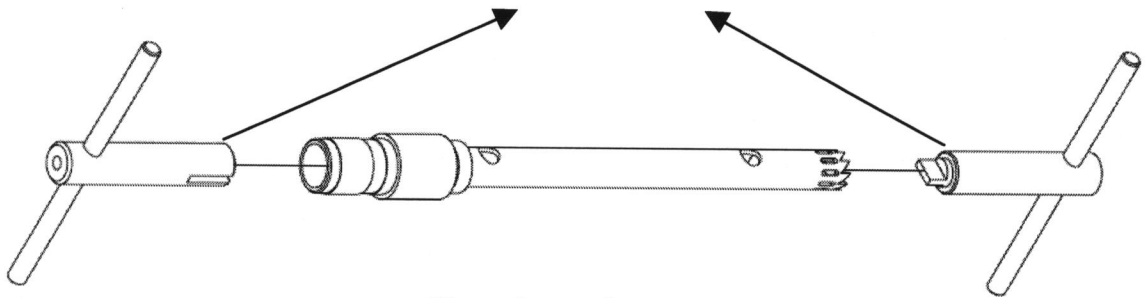
After open the shaft , 3 main parts from shaft GEN-0010 as follows



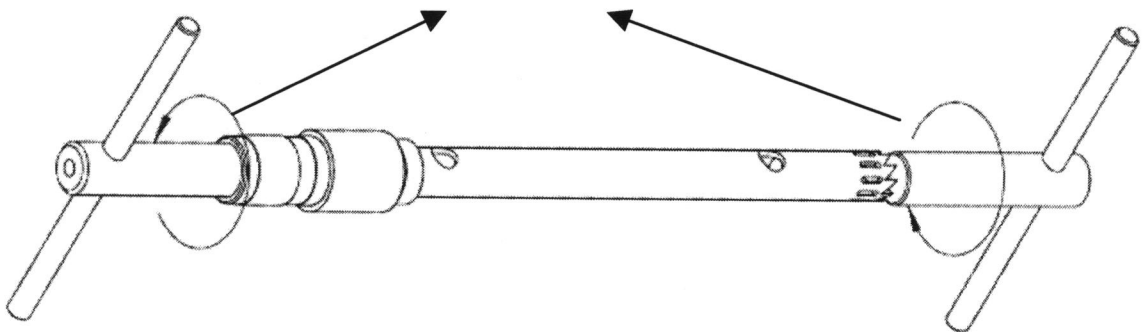
# TO OPEN AND SEPARATED

## GEN-0250

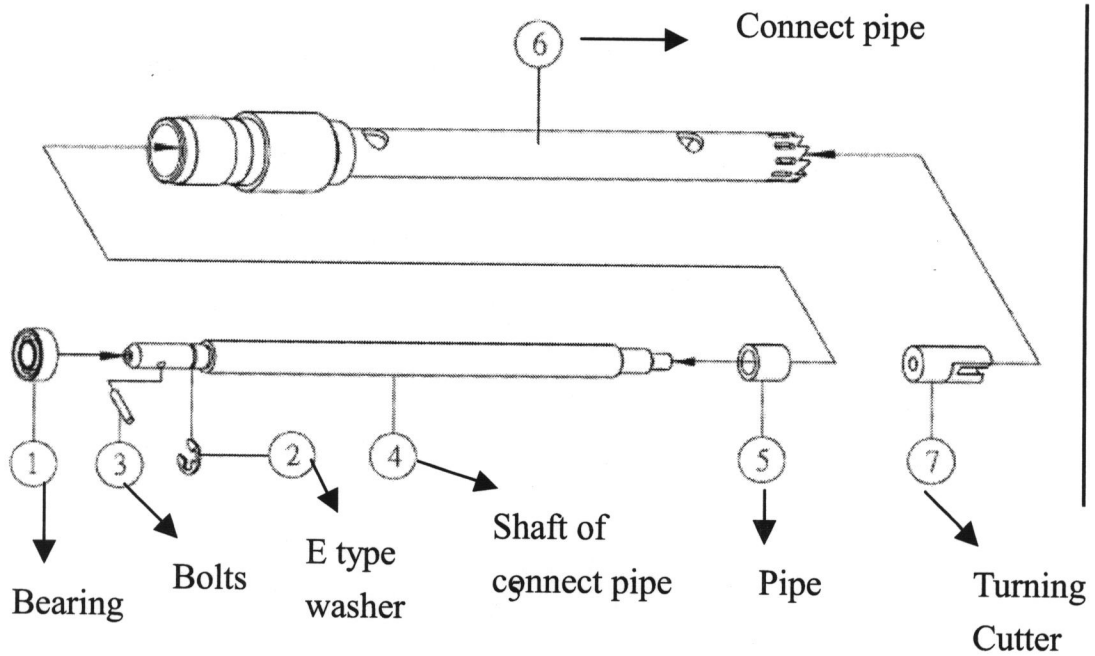
Insert the tools into the shaft



Turn the tools to open

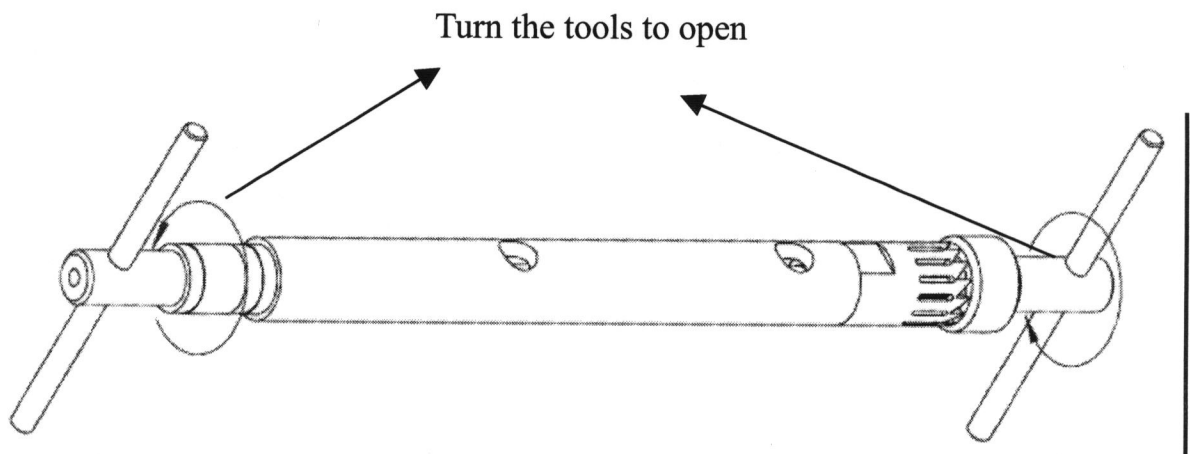
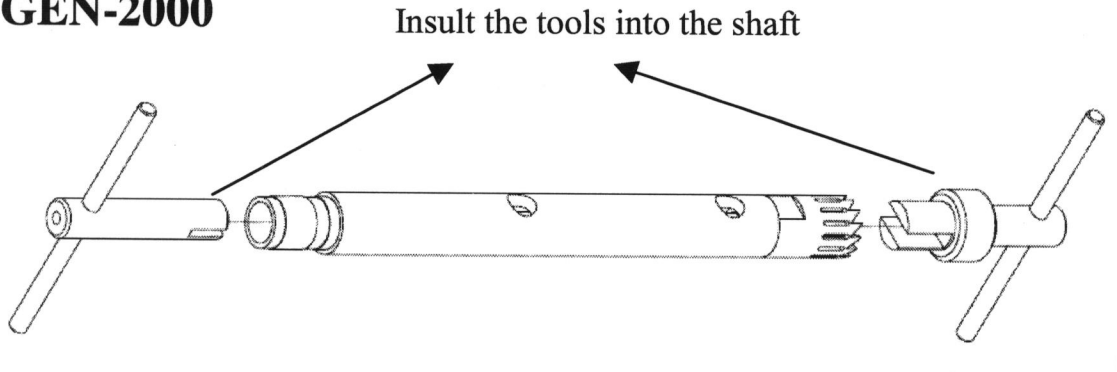


After open the shaft , 7 main parts from shaft GEN-0250 as follows

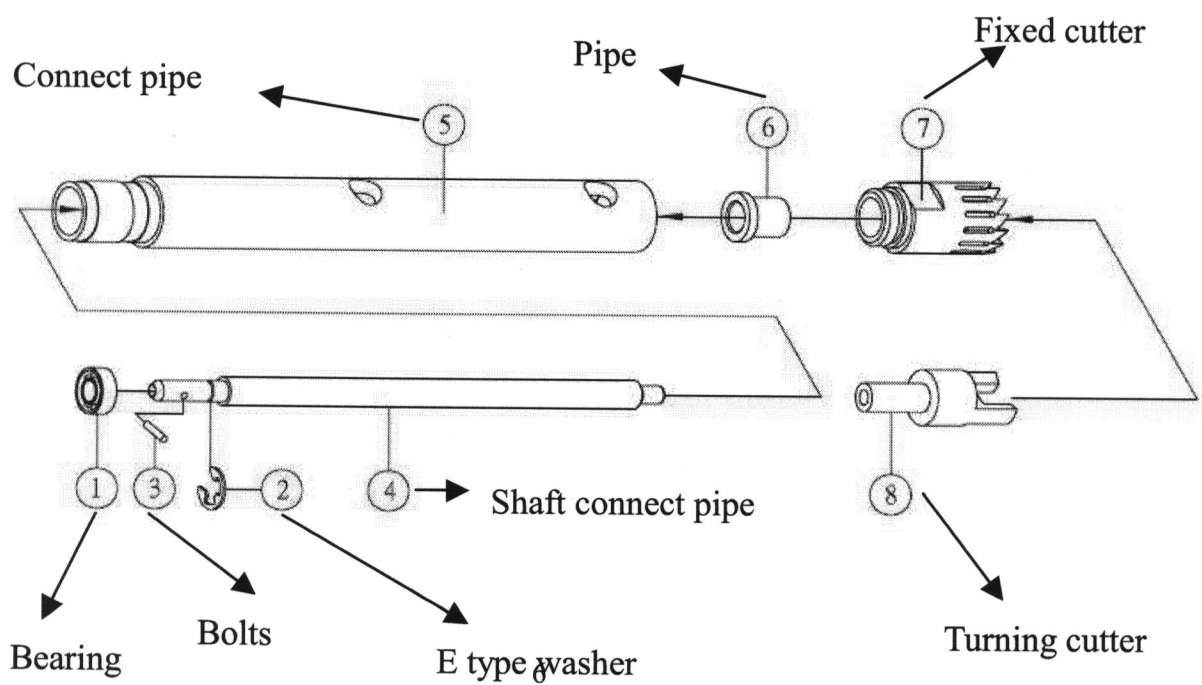


# TO OPEN AND SEPARATED

## GEN-2000

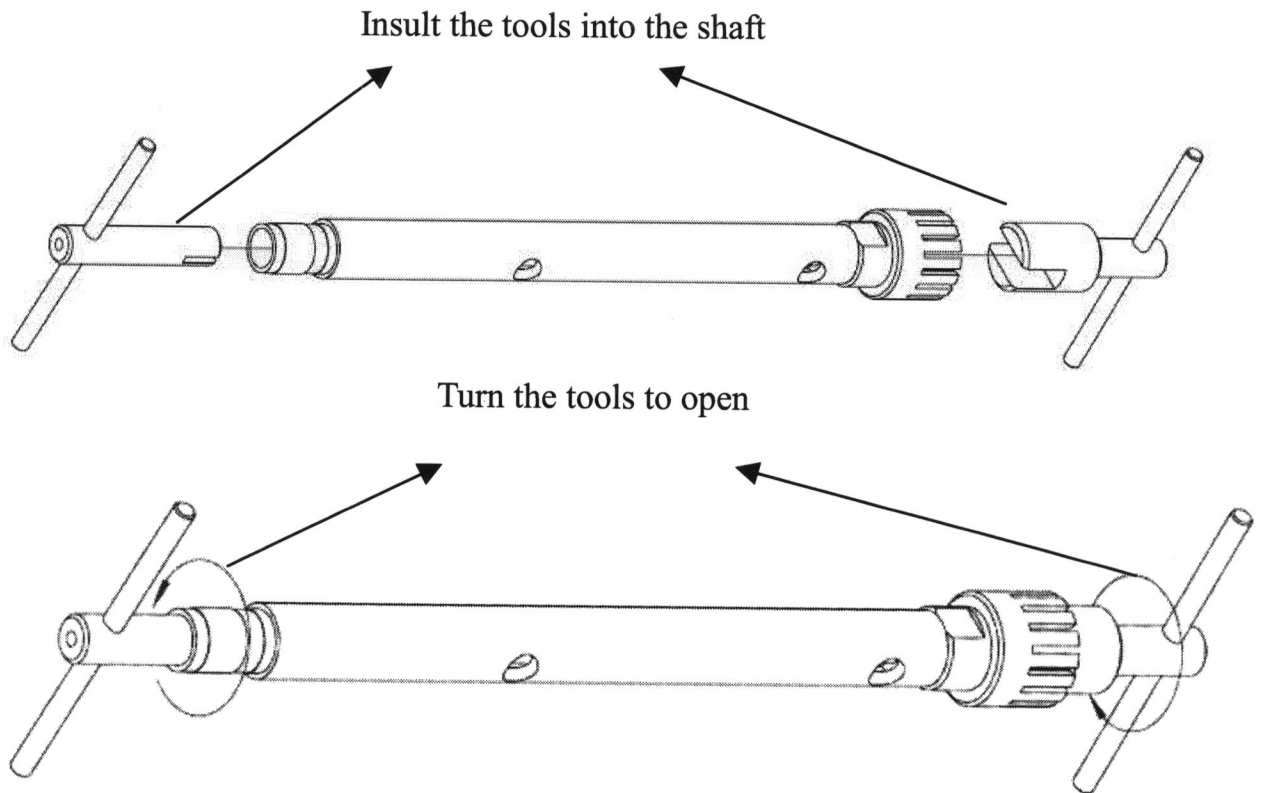


After open the shaft , 8 main parts from shaft GEN-2000 as follows

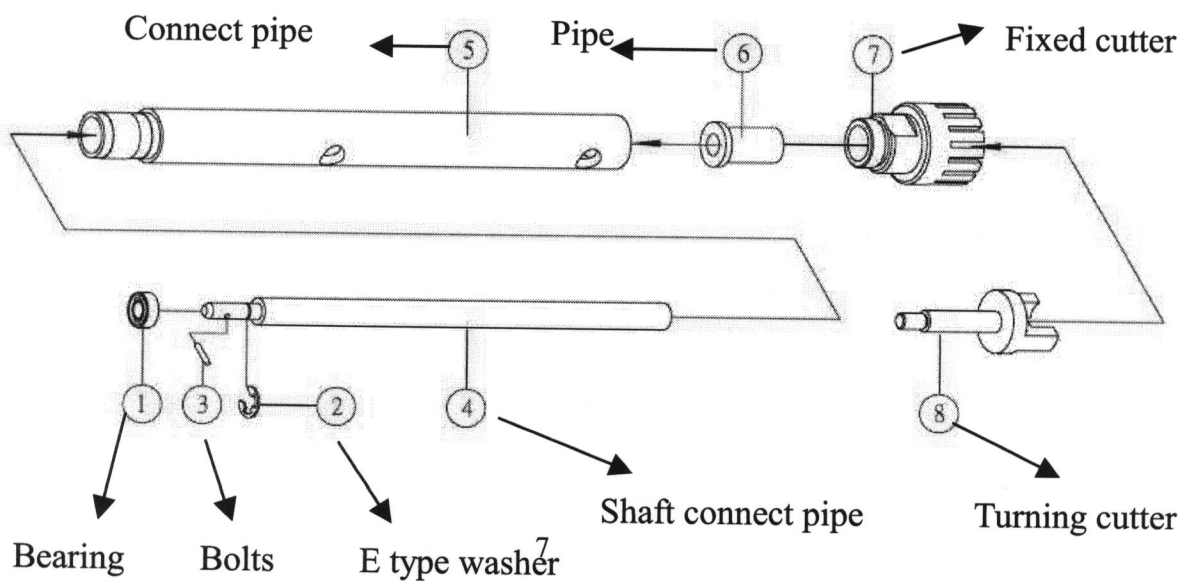


TO OPEN AND SEPARATED

### GEN-3000



After open the shaft , 8 main parts from shaft GEN-3000 as follows

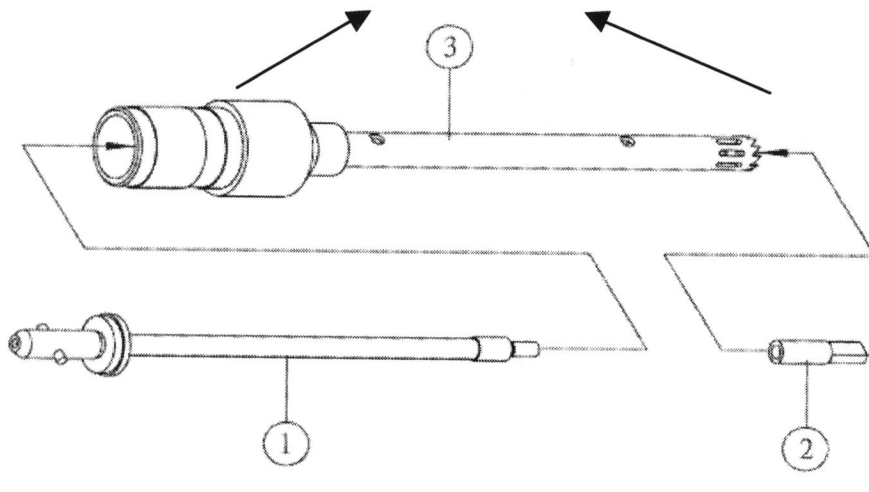




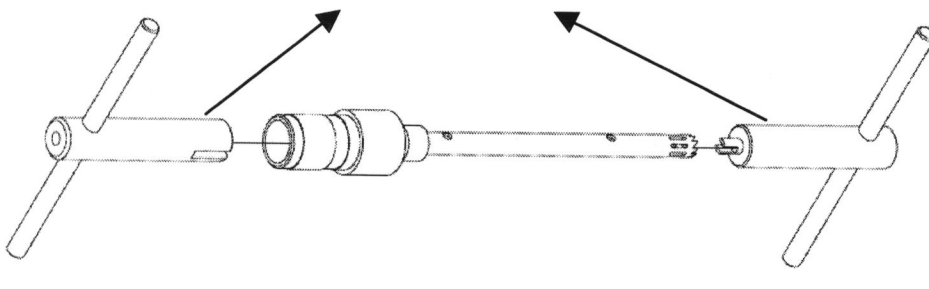
TO ASSEMBLY

## GEN-0010

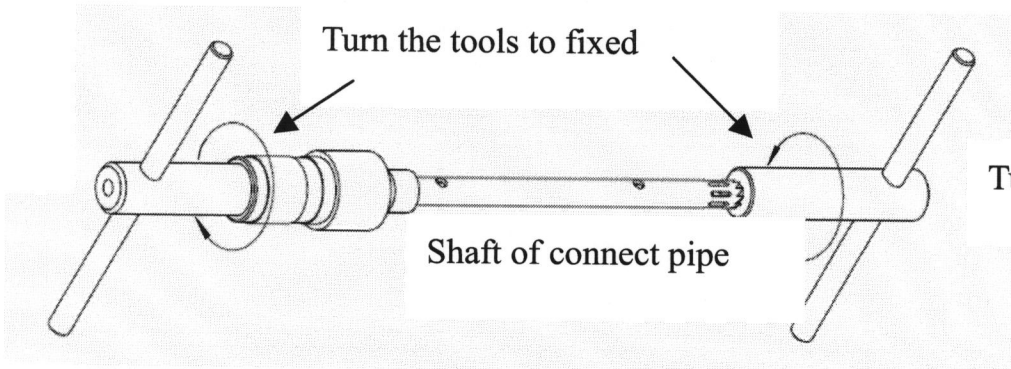
Put each parts into Accordinly with the drawing



Insult the tools into the shaft



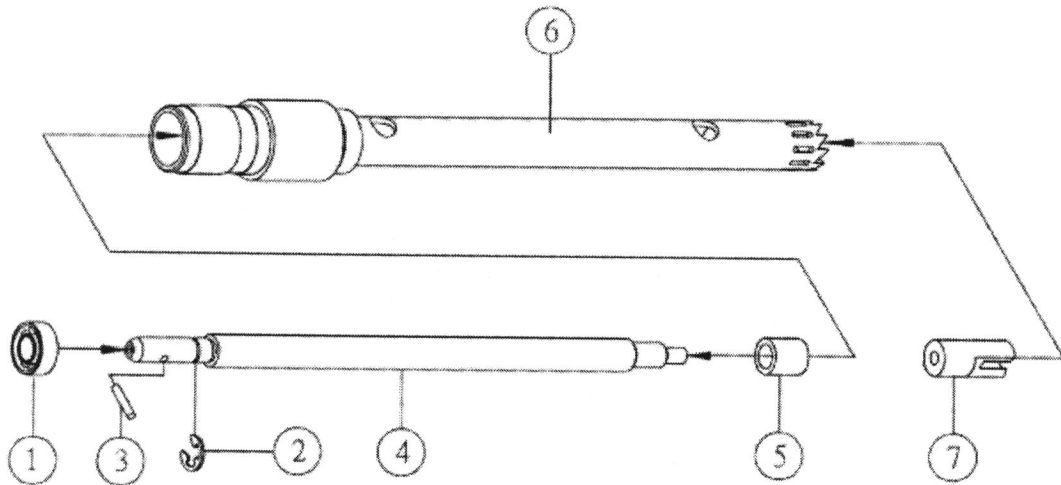
Turn the tools to fixed



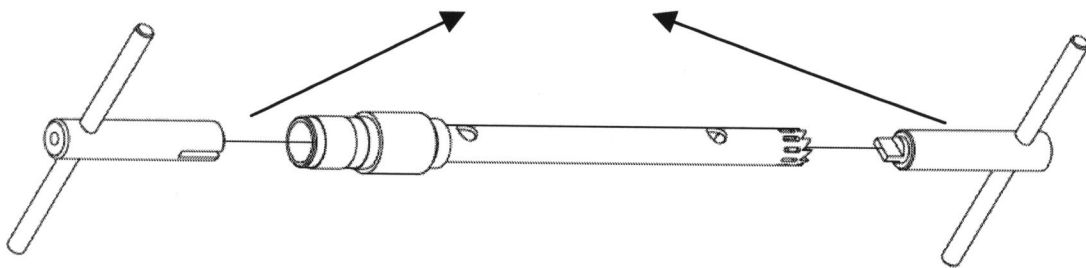
TO ASSEMBLY

## GEN-0250

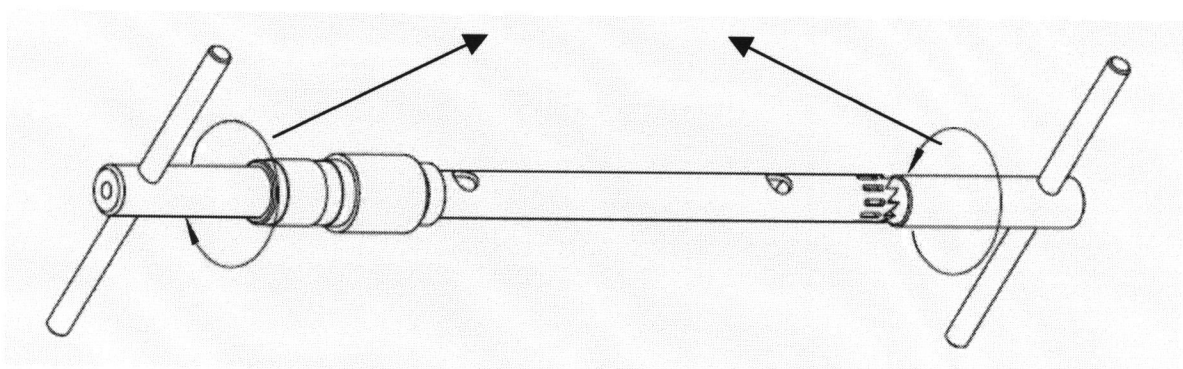
Put each parts into Accordingly with the drawing



Insult the tools into the shaft



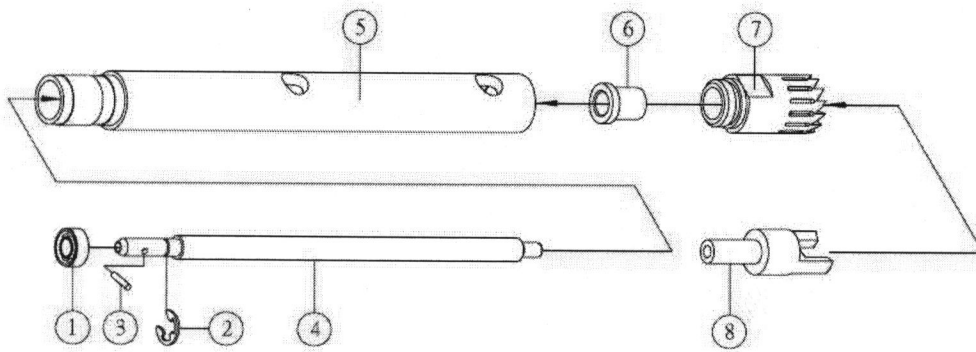
Turn the tools to fixed



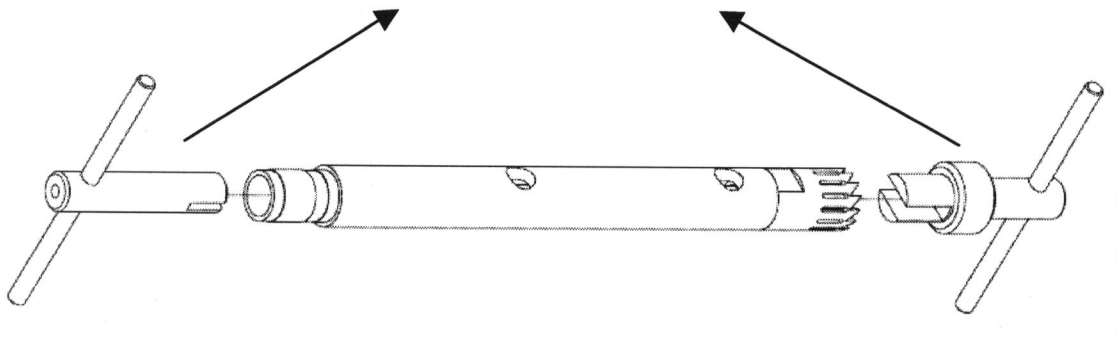
# TO ASSEMBLY

## GEN-2000

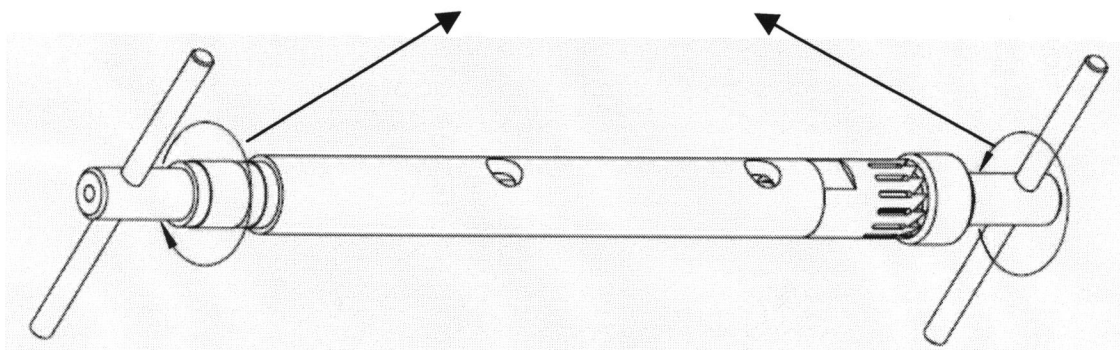
Put each parts into Accordinly with the drawing



Insult the tools into the shaft



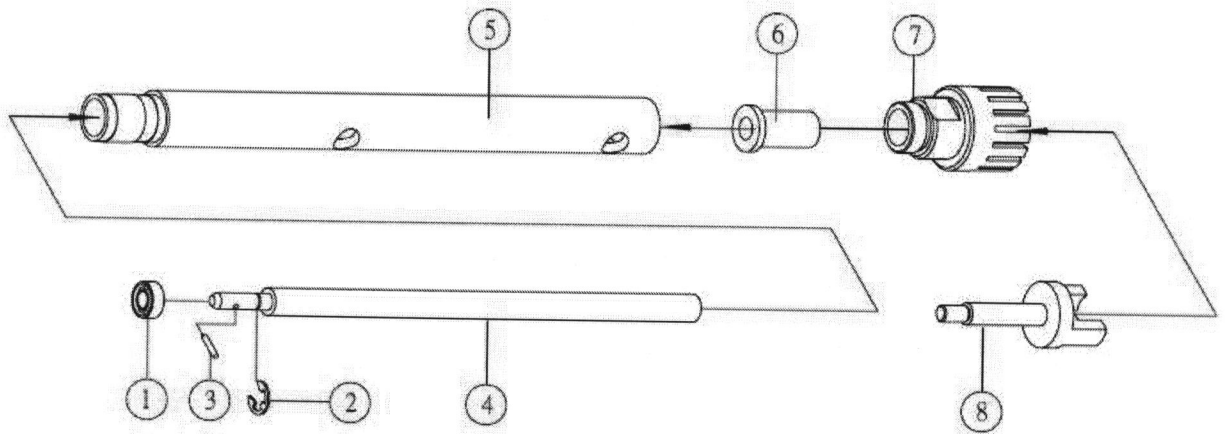
Turn the tools to fixed



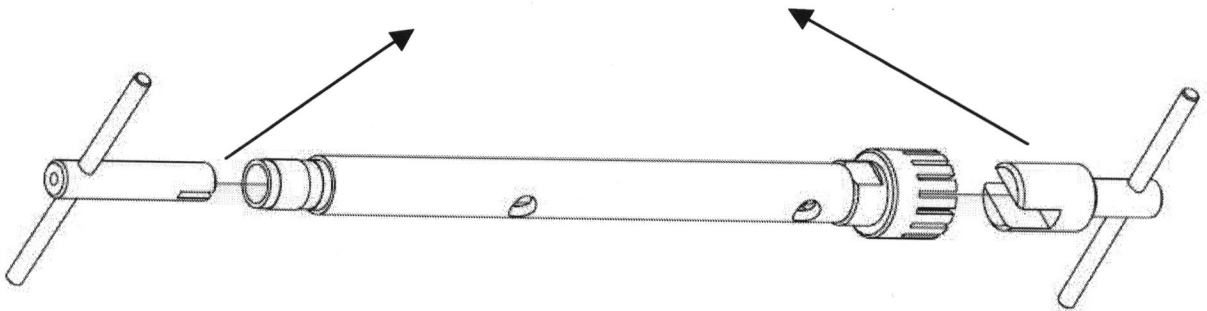
TO ASSEMBLY

## GEN-3000

Put each parts into Accordinly with the drawing



Insult the tools into the shaft



Turn the tools to fixed

