



VENDED LAUNDRY

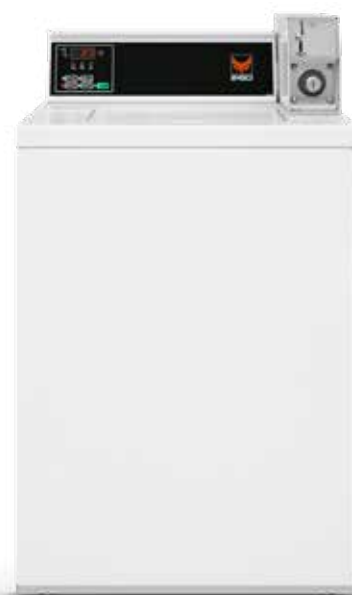
CTL7C

FEATURES

- **Energy efficient**
Water-saver cycle reduces hot water consumption
- **Lower costs**
A 1/2 HP motor produces a 710 RPM spin speed, which keeps drying times and utility costs down
- **Rugged reliability**
Solid construction and heavy-duty components deliver the strength necessary for years of dependable service
- **Serviceability**
100% front serviceable, meaning less downtime
- **Clean results**
A full size agitator with a 210° agitation stroke - the largest in the industry - produces excellent washing results
- **Maximum productivity**
Superior out-of-balance protection to ensure cycles continue without stopping

CONTROL

- **Micro-Display Control (MDC)**
 - Digital display shows vend price
 - Four cycle options
 - Cycle time countdown
 - LED progress indicators
 - Cycle time: long/short cycle



Speak with a Laundry Specialist

t: 1300 222 119 e: info@aqualogic.com.au w: aqualogic.com.au/contact

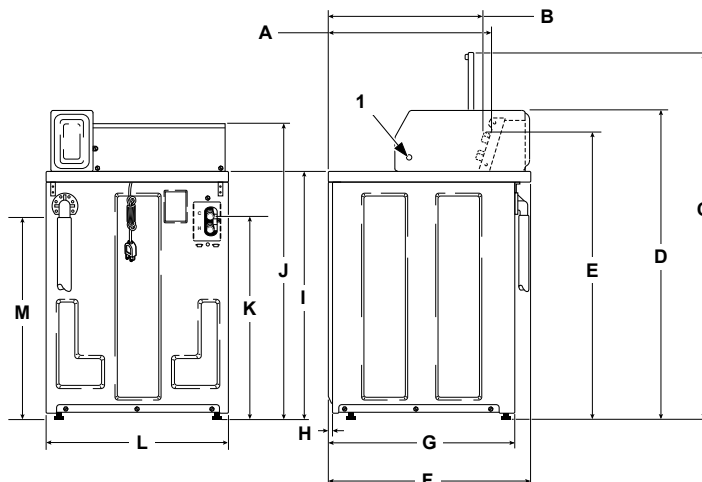


CTL7C	
MODEL NUMBER	BWNBX2PP303AW01
CONTROL	MDC
CONTROL LOCATION	rear
DRUM	
CAPACITY (KG)	6,5
CYLINDER VOLUME (L)	90,3
MOTOR	
POWER (KW)	0,37
CABINET	
CYLINDER FINISH	porcelain
COLOURS	white
DRUM SPEED	
SPIN SPEED (RPM)	710
G-FORCE	150
CONNECTION	
WATER INLET (INCH)	0,75
WATER PRESSURE (BAR)	1,4 / 8,3
DRAIN	Pump drain
OPERATION	
CYCLES	5
WATER TEMPERATURES	3
WATER CONSUMPTION PER CYCLE LITRES *	106,3
CYCLE INDICATOR LIGHTS	yes
POWER	
ELECTRICAL REQUIREMENTS	10 AMP/240/50/1
TRANSPORT DATA	
GROSS WEIGHT (KG)	95
NET WEIGHT (KG)	86
DIMENSIONS H X W X D (MM)	1092 x 651 x 711
PACKING DIMENSIONS H X W X D (MM)	1124 x 711 x 762

* heights may slightly vary, depending on the leveling adjustments

	A	B	C	D	E	E	F	G	H	I	J	K	L	M
	Electronic control models	coin slide models			Electronic control models	coin slide models								
CTL7C METERED MODELS	570	548	1295	1092	970	1026	711	660	11	914	1048	730	651	775

1. Pilot hole



Speak with a Laundry Specialist

t: 1300 222 119

e: info@aqualogic.com.au

w: aqualogic.com.au/contact

