



**Türkçe:** AB Müşterileri için: Kullanım süresi dolan tüm ürünler geri dönüşümüne için Zebra'ya iade edilmektedir. Ürünlerin nasıl iade edileceği hakkında bilgi için lütfen şu adresi ziyaret edin: <http://www.zebra.com/weee>.  
**Hrvatski:** Za kupce u Europskoj uniji: Svi se proizvodi po isteku vijeka trajanja moraju vratiti tvrtki Zebra na recikliranje. Informacije o načinu vraćanja proizvoda potražite na web-stranici: [www.zebra.com/weee](http://www.zebra.com/weee).

**TURKISH WEEE Statement of Compliance**

EEE Yönetmeliğine Uygundur

**Introduction**

The FLB3678 cordless scanner cradle acts as charger and radio communication interface for the XX3678 cordless scanner. It attaches to a mounting bracket using three isolators. The bracket is then mounted on the forklift surface.

The FLB3678 cradle receives data from the scanner via a Bluetooth radio, and sends that data to the host through an attached cable. The cradle also charges the scanner's internal battery pack when the scanner is inserted. A portable power supply on the forklift supplies power to the cradle.

This document provides basic instructions on setting up and using the cradle. Any discussion of transmission of information refers specifically to the FLB3678 cradle.

**CAUTION** LS3578 and DS3578 cordless scanners are incompatible with FLB3678 cradles.

**Equipment Supplied**

- The cradle package includes:
- Cradle
  - Mounting bracket with isolators
  - Three 8-32 x 1.5" Phillips head screws (for attaching cradle to mounting bracket).

**Accessories**

- The following equipment may be needed:
- Three 1/4-20 screws, minimum length 1.0" (for fastening bracket to mounting surface).

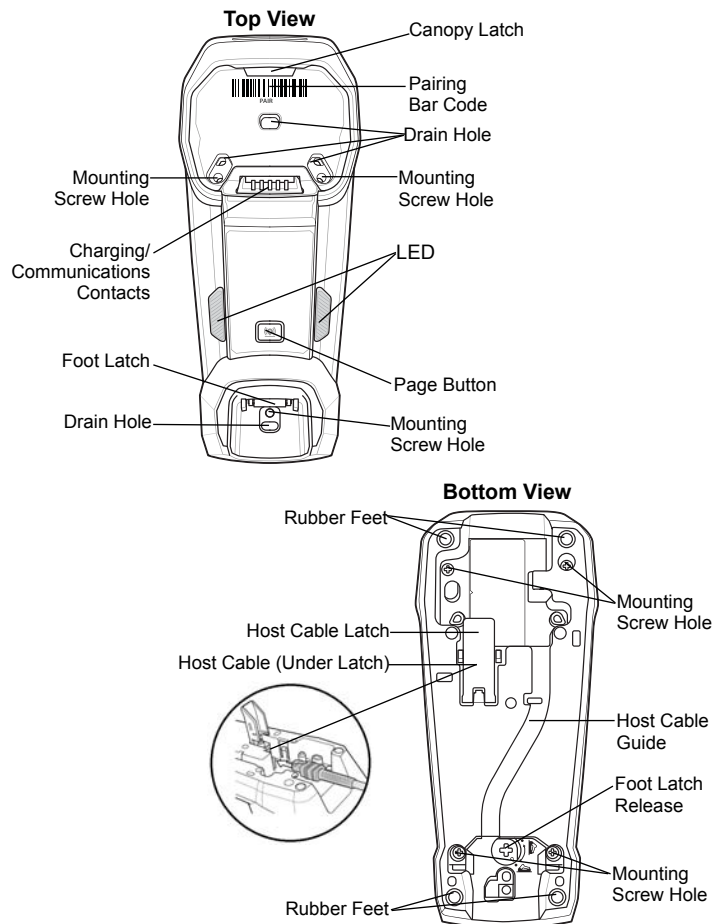
Save the shipping container for storing or shipping. Inspect all equipment for damage. If anything is damaged or missing, call an authorized Zebra Support Center immediately.

**Related Documentation**

- LI3678 Product Reference Guide, p/n MN001740Axx.
- LI3678 Quick Start Guide, p/n MN002323Axx.
- DS3678 Product Reference Guide, p/n MN-002689-xx.
- DS3678 Quick Start Guide, p/n MN002648Axx.
- STB3678 Quick Reference Guide, p/n MN002334Axx.
- Forklift Mounting Plate Template, p/n MN-002769-xx.

This documentation is available at: [www.zebra.com/support](http://www.zebra.com/support).

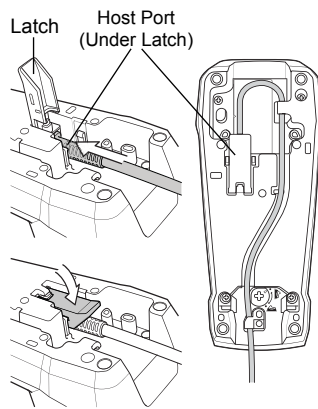
**Cradle Parts**



**Cradle Connections**

**IMPORTANT** Connect the interface cable and power supply (if necessary) in the following order to ensure proper operation of the scanner and cradle.

1. Connect the appropriate cable to the power supply and an AC power source, if necessary. This will ensure detection of the host and prevent inadvertently back powering the cradle from improper detection of the host.
2. Insert the interface cable into the host port.
3. Lift the cradle latch and insert interface cable into the cradle's port with the cable connector latch facing up (away from the cradle). Secure the cable by closing the cradle latch.
4. As necessary, thread the host cable under the cable hook and into the groove.
5. Pair the scanner to the cradle either by inserting it in the cradle (if Pair on Contacts is enabled) or by scanning the pairing bar code.
6. If necessary, scan the appropriate host bar code (for non-autodetected interfaces). Refer to the *Product Reference Guide*.



**Changing the Host Interface**

To connect to a different host, or to the same host through a different cable:

1. Unplug the interface cable from the host.
2. Unplug the power supply from the cradle.
3. Connect the interface cable to the new host, or the new interface cable to the existing host.
4. Reconnect the power supply, if required.
5. If necessary, scan the appropriate host bar code (for non-autodetected interfaces). Refer to the *Product Reference Guide*.

**Using a Host Interface to Supply Power**

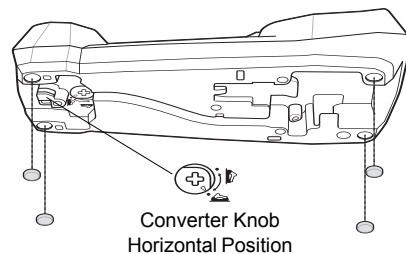
Some hosts can provide power to the cradle via the host interface, instead of an external power supply.

**CAUTION** Always disconnect the DC power supply BEFORE disconnecting the cable to the host end or the cradle may not recognize the new host.

**Mounting the Cradle**

**Horizontal Mount**

1. Ensure the desk/wall mount converter knob is in the correct position, shown at right.
2. If mounting the cradle horizontally where no fastening is necessary, peel the protective paper from the back of the rubber feet included with the cradle packaging, and attach the feet to the cradle at the indentations in the plastic. These feet provide traction and prevent surface damage.

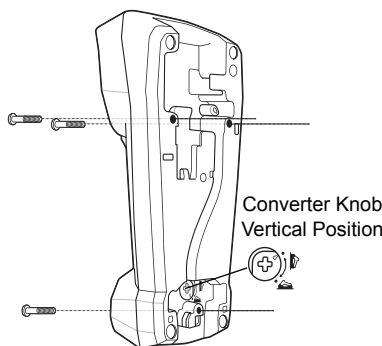


**Vertical Mount**

**NOTE** Do not use the rubber feet when mounting in a vertical orientation.

**To mount the cradle on a vertical surface:**

1. Use a Phillips screwdriver to turn the desk/wall mount converter knob to the position shown below. The front latches protract to engage the depressions at the base of the scanner's handle.
2. Attach the interface and power cables (see *Cradle Connections*).
3. Press the cables into the cable grooves.
4. Position the cradle on the mounting surface, or use the template included in this guide.
5. Mark the surface through the three holes on the bottom of the cradle, or use the mounting template to determine the location of the screw holes.
6. Pre-drill holes to accommodate three 1.5" #8 Phillips head screws.
7. Attach the cradle securely to the surface.
8. Place the scanner in the cradle.

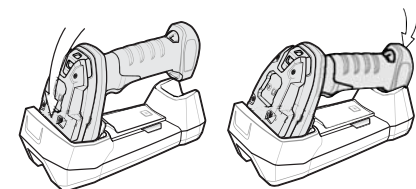


**Inserting the Scanner in the Cradle**

**CAUTION** Do not pour, spray, or spill any liquid on the cradle.

To insert the scanner in the cradle:

- Insert the scanner top first. Push the handle until it clicks into place, engaging the contacts in the cradle and scanner.



**Sending Data to the Host Computer**

The cradle receives data from the scanner via a wireless radio connection and transmits it to the host computer via the host cable. The scanner and cradle must be paired for successful wireless communication.

**Pairing**

**NOTE** The pairing bar code that connects the scanner to a cradle is unique to each cradle. Do not scan data or parameters until pairing completes.

Pairing registers a scanner to the cradle such that the scanner and cradle can exchange information. The FLB3678 operates in two modes: Point-to-Point and Multipoint-to-Point. In Point-to-Point mode, pair the scanner to the cradle either by inserting it in the cradle (if pair on contacts is enabled), or by scanning the pairing bar code. In Multipoint-to-Point mode, you can pair up to seven scanners to one cradle.

To pair the scanner with the cradle, scan a pairing bar code. A high-low-high-low beep sequence followed by a low-high beep sequence indicates successful pairing and connection to the remote device. A long low, long high beep sequence indicates unsuccessful pairing.

**Lost Connection to Host**

If scanned data does not transmit to the cradle's host, ensure that all cables are firmly inserted and the power supply is connected to an appropriate AC outlet, if applicable. If scanned data still does not transmit to the host, reestablish a connection with the host:

1. Disconnect the power supply from the cradle.
2. Disconnect the host interface cable from the cradle.
3. Wait three seconds.
4. Reconnect the host interface cable to the cradle.
5. Reconnect the power supply to the cradle, if required.
6. Reestablish pairing with the cradle by scanning the pairing bar code.

**Charging the Scanner Battery in the Cradle**

When using a new battery in the scanner, the battery requires a charge to be enabled. Insert the battery in the scanner and place the scanner in the FLB3678 cradle (see *Inserting the Scanner in the Cradle*). The battery begins charging when the scanner LED indicator starts flashing amber. The battery is fully charged when the cradle LED is solid green. A complete charge of a fully discharged battery can take up to three hours using external power and up to ten hours using the USB interface cable.

**Cradle LED Indicators**

LED	Indication
Green	Power on
Green flashing	Bluetooth connection established
Blue	Page button
Battery Indications	
Amber	Pre-charging
Amber Blinking	Charging
Amber fast blinking	Charging error
Green	Fully charged

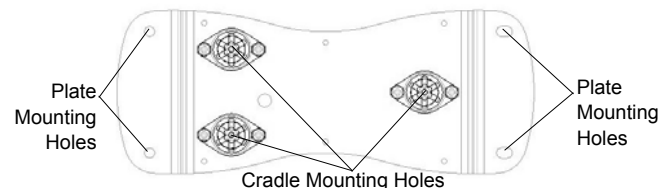
**Troubleshooting**

If the cradle does not work after following the previous procedures:

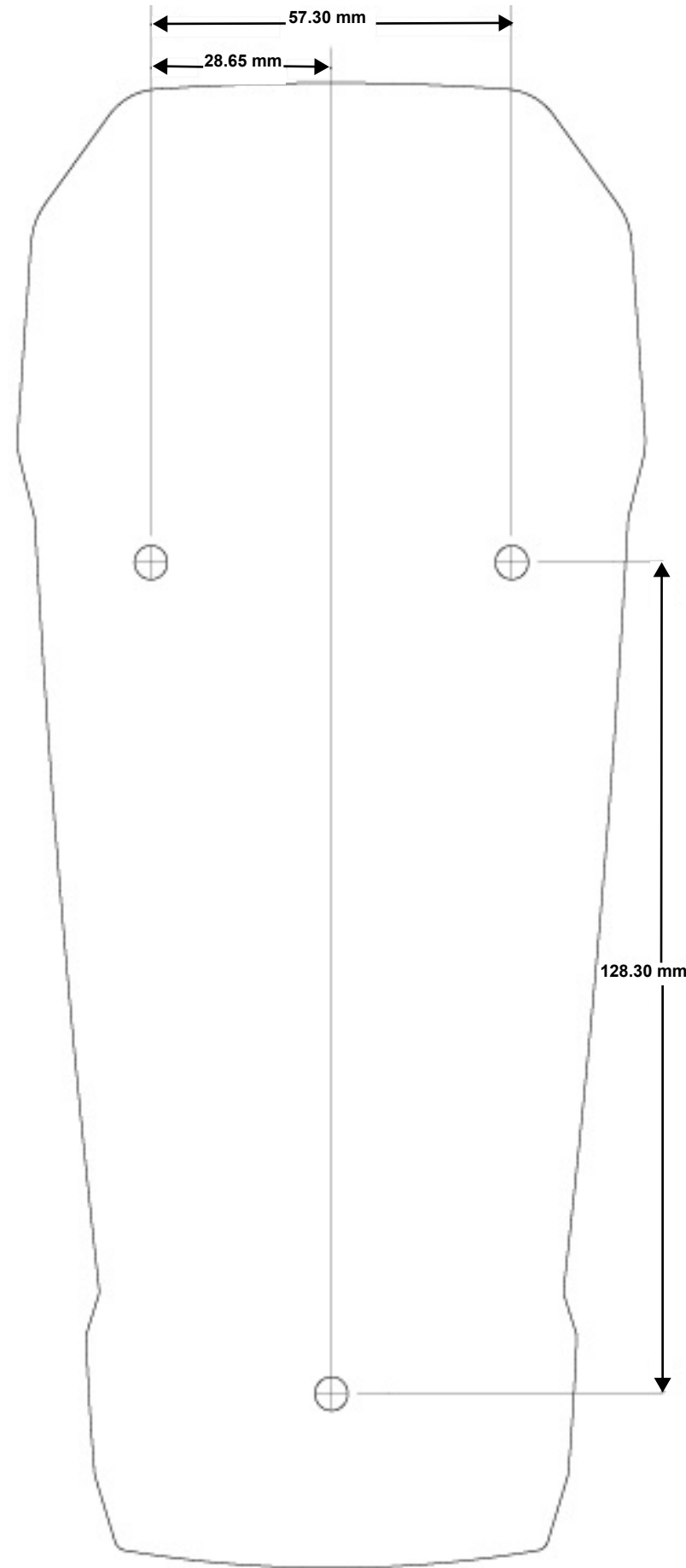
- Check the system power.
- Check for loose cable connections.
- Check that the scanner is inserted properly in the cradle.
- Check that the host settings are correct and the cradle is connected to the appropriate port on the host.

**Forklift Mounting Plate**

The forklift mounting plate (p/n BRKT-MM0036W-00) is required on forklift truck installations to reduce long term damage to the scanner and cradle due to vibration. For detailed information, refer to the *Forklift Mounting Plate Template* (p/n MN-002769-xx).



**Wall Mount Template**



**NOTE** When printing the FLB3678 QR code which includes the wall mount template, ensure the dimensions print correctly by setting the **Page Sizing and Handling to Actual Size**.