

Grandes Flammes Millenium 1375.5 GAS

DESIGN

- High-performance, elegant, modern rotisserie with interior lighting to accent the beauty of your roasting meats & vegetables
- Porcelain enamel finish in black and chrome
- Stylish metallic knobs and switches in nickelled Chrome or brass
- Option : chic illuminated "RÔTISSERIE" sign (removable)

CULINARY ADVANTAGES

- Rapid grilling while still retaining traditional rotisserie quality
- 5 adjustable spits, each with its own motor and 2 gas burners
- State-of-the-art burners manufactured by ROTISOL
- Wide variety of cooking accessories (See accessory list)
- Ideal for roasting turkeys, ducks, suckling pigs, and other products (whole salmon, pork ribs, sausages etc...)

SAFETY

- K.GLASS glass doors reduce heat loss, accelerating cooking and preventing burns.
- 2 doors to facilitate access and reduce heat loss (energy saver)
- Heat-proof, ergonomic door handles
- Doorstops control opening & closing and prevent breakage.
- Gas tubes & electric conduits are separated to prevent risk of explosion.

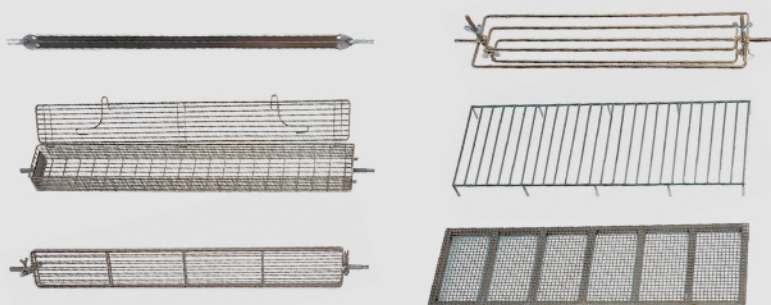


Standard Model

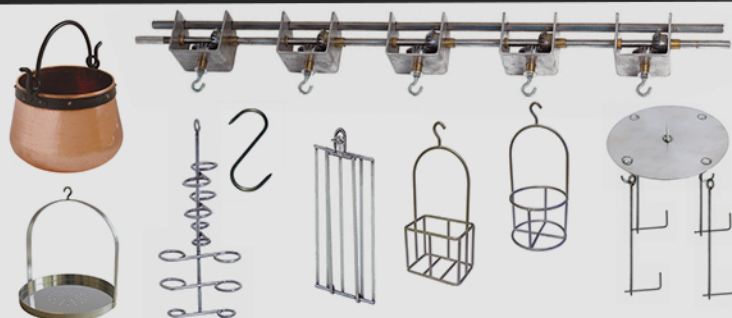
CLEANING

- Option : removable stainless steel plates between each row of burners for easy cleaning
- Removable inside panels provide double protection to motors and gas components.
- Drip pan with a drain collects grease drippings for perfect hygiene and accident safety.
- Lighted sign extends out in the front to avoid grease accumulation.

ACCESSORIES

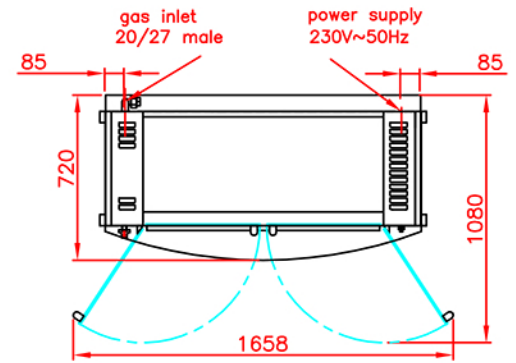


Vertical spit system



Top view

Rotisserie with roof (optional)
and base on casters (optional)

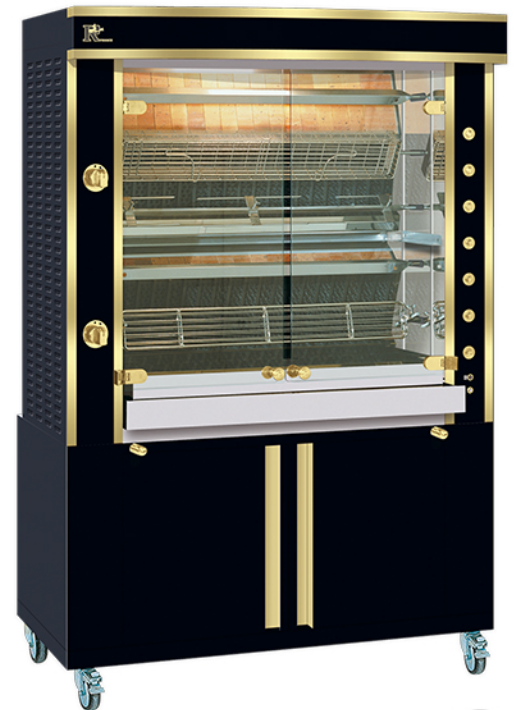
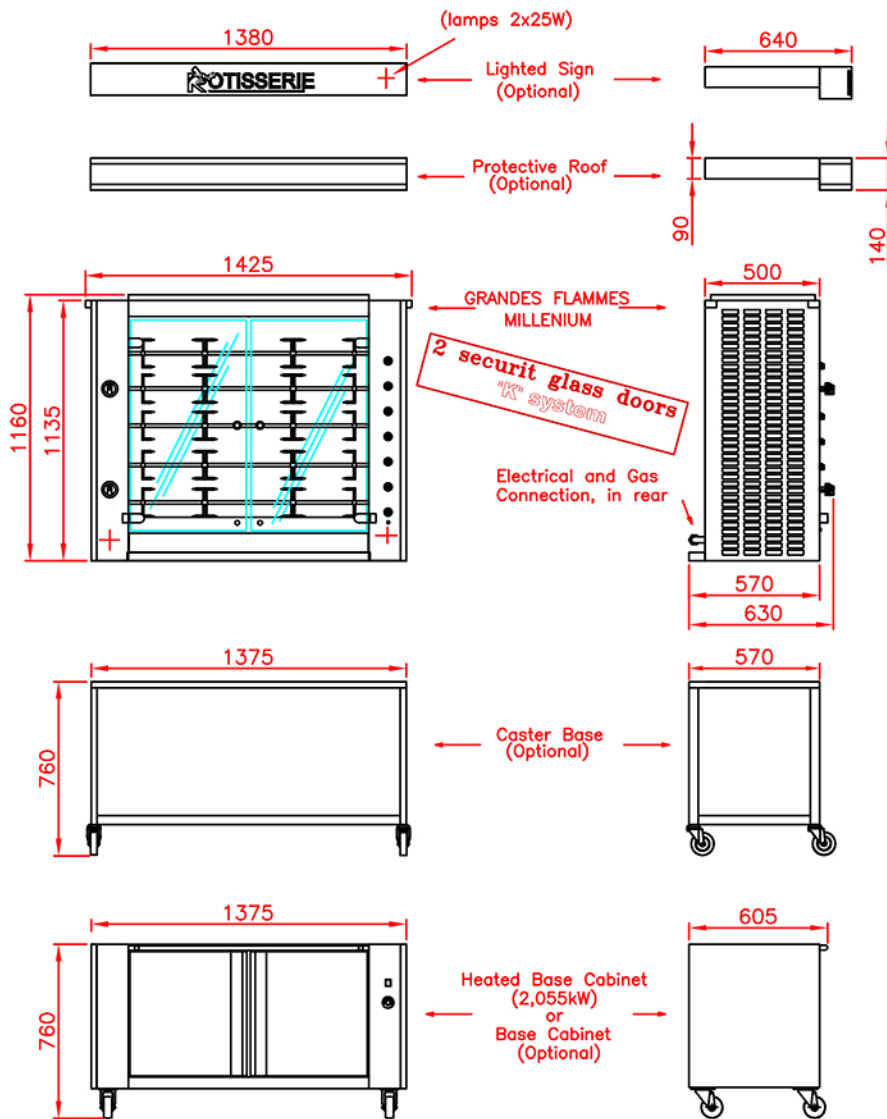


Front view

Rotisserie with roof (optional)
and base on casters (optional)

Side view

Rotisserie with roff (optional)
and base on casters (optional)



Deluxe Model



Fully Enamelled and Brass (as show) or enamel and Chrome

Please see [GF MILLENIUM Optional finishes and colours](#)

STANDARD FIXTURES

- LUXE FINISH : Black enamel with chrome or brass trims
- STD FINISH : Black enamel front with body stainless steel
- 5 adjustables Anti-cutting prongless spit
- Bottom drip pan with drain valve
- 2 Tempered Glass Doors (K.Glass)
- 2 halogen lamps of 200W each
- Self-Igniting Pilots
- 5 Motors 30W each

Option : COUL1: Body colours for Deluxe Model
 COUL2: Front colours for Standard Model
 Vertical spit system removable

SPECIFICATIONS

Gas Power	30 kW
Gas minimum consumption	Natural : 3.18 m ³ /h. Propane: 2.32 kg/h
Gas connector	20/27" male
Electricity	230 V 50-60 H 1phase+ neutral+earth 0.6 kW
Capacity	25/30 poultries
Warranty	1 year parts
Venting	Hood installed conformly with all local codes
Minimum clearance	65mm on the right, left and rear side
Shipping weight	350 kg

