

Specifications



1800374343

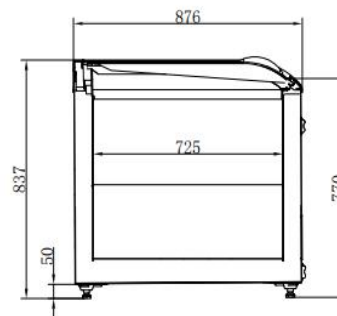
AISF-2502

Island Freezer



CABINET DIMENSIONS

	External
Height:	835mm
Width:	2502mm
Depth:	875mm
Floor area:	2.18m ²



CABINET SPECIFICATIONS

Refrigeration system:	Static Cooling System
Refrigerant / Charge:	R404A
Lid type :	Sliding doors
Glass door:	Double Low-e
Cabinet temperature range:	≤-18°C
Condensing Water:	automatic evaporation
Electrical:	220-240 Volts a.c. 50 Hz
Power cord length:	2.5m
Internal lighting:	1LED
Inside cabinet:	Embossing aluminum
Feet:	Wheel or feet
Insulation:	70mm polyurethane foam
Total weight:	178kg

Austune Australia Pty Ltd reserve the right to alter specifications without notice.

Austune Australia Pty Ltd

Unit 3, 35 Davis Road Wetherill Park NSW 2164

Tel: 02 9725 1578