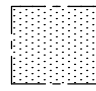
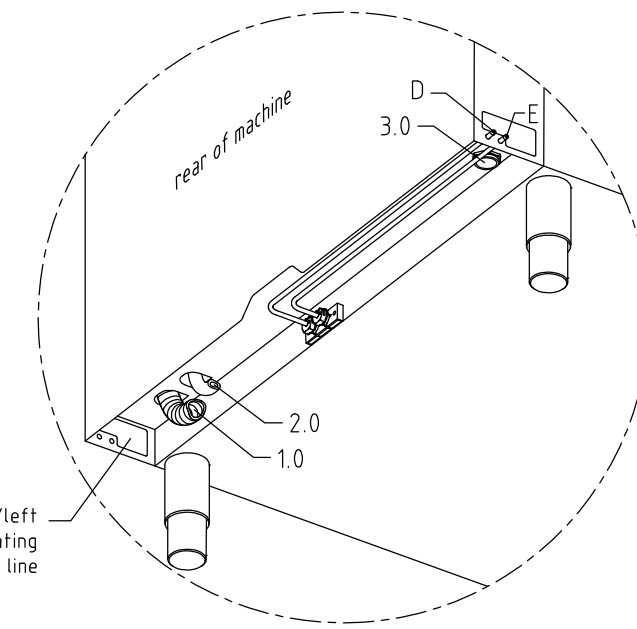
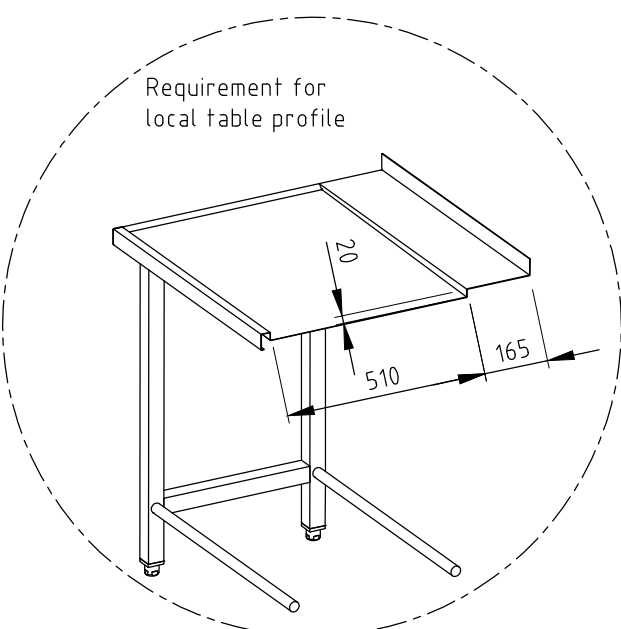
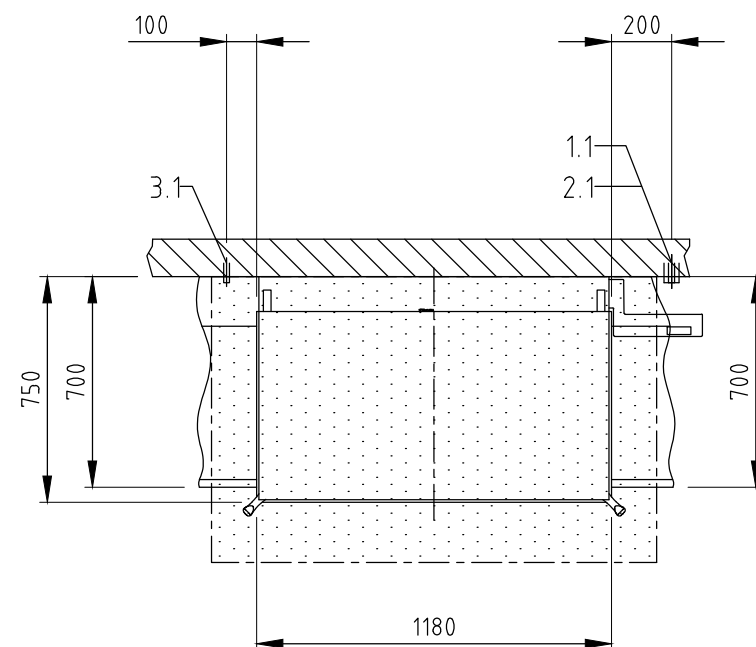
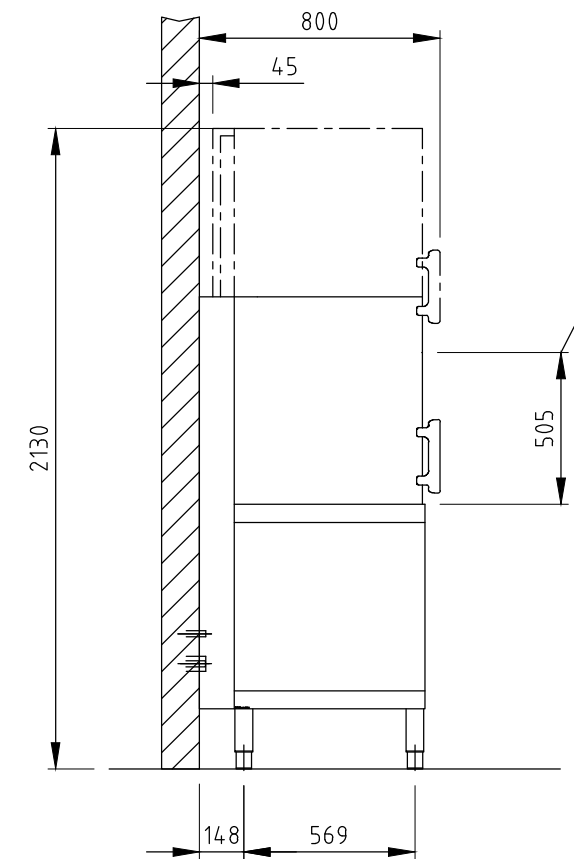
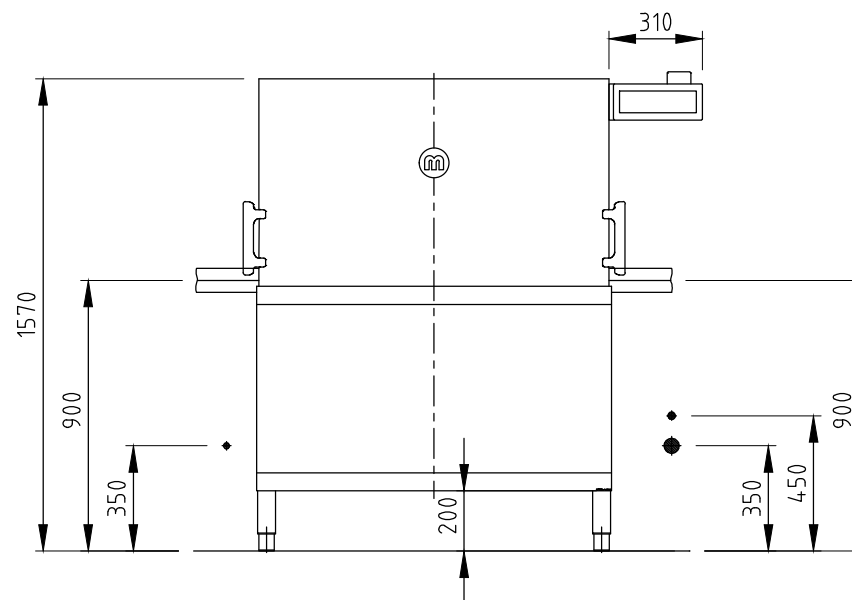



1.0	machine connection: Drain line hose fitted as odour trap in interior of machine	DN 22
1.1	drain (max. 750 mm above of the floor level)	DN 50
2.0	machine connection: fresh water line	G 3/4"
2.1	soft warm water 45 - 60°C max. 0,54 mmol/l CaCO <sub>3</sub> / 53,4 ppm/CaCO <sub>3</sub> (max.3°GH) approx. water flow rate 5 l/min min. flow pressure: 60 kPa / 0,6 bar upstream of the solenoid valve, maximum pressure: 500 kPa / 5 bar stopcock and fine screen ≤ 25 μm	DN 15
		G 3/4 a
3.0	machine connection: electricity connecting cable	5G 10mm <sup>2</sup>
3.1	electricity supply cable to the machine	3N PE 400V ~ 50Hz
	nominal current / - capacity	31.0 A 20.1 kW
	⊕ Voltage equalising cable	Fuse protection: 32 A
Electrical equipment suitable for supply voltage: 3N PE 380-415 V 50 Hz		
heat load of the wash room in case of 25 program cycles /h		total ca. 5.4 kW perceptible ca. 3.6 kW latent ca. 1.8 kW
all cables, pipes etc leaving machine		1,0 m
the position of the connection piping can also be mirror-inverted		
Height adjustable: machine feet ±30 mm / MEIKO table feet ±15 mm		
Options available on machine		
(A) Entry height		
(D) Rinse agent pipe and suction lance		
(E) Detergent dosing unit with suction lance		
Automatic hood opening		
Automatic basket detection		
Feeding table on site		
Discharge table on site		
	Recommended suction area according to German VDI 2052 or any local regulations have to be observed to determine ventilation of wash areas	



 MEIKO Australia-Pacific Pty Ltd Unit 4, 72 - 74 Gibbes Street Chatswood NSW 2067 TEL. +61-1300 367 730, Telefax +61-1300 656 420 E-MAIL: info@meiko.com.au	Revision		Type	M-ICLEAN HXL
	Reference	DISHWASHER STANDARD DRAWING / AUS	Order-No.	
	Drawing-No.	S00026293	checked:	08.05.2018 mja
	Scale	1:25	drawn:	08.05.2018 m-iplan

This drawing may not be neither passed to third parties for their information or copied or used for competitive purposes without our consent. All rights reserved. We reserve the right to make changes resulting from technical progress. This drawing was computer generated and is not subject to the checking and any release process; it is also not subject to change management.  
 Please note:  
 This document is only valid in conjunction with the conditions defined in Supplementary Sheet "Important Information". These can be requested from the manufacturer or downloaded from the Partnernet.