



# Furniture trolleys

# The turnover carrier for cash and carry stores



Cash and carry furniture stores save time and money. This is what your customers appreciate. What they expect is a trolley which they can load easily and with which they can transport the most bulky bargains with ease and without damaging the goods from the shelf to the car park. Wanzl has the professional solutions for your success.

"Spezial" furniture transporter

# Models for success



**"Standard" furniture trolley with wire platform**

Easy to steer and push with ergonomically designed handles.



**"Standard" furniture trolley with wooden platform and extra bar**

Simple to load and unload with a low platform height, safe transport with the side bars.



**"Spezial" furniture trolley with sloping wire platform**

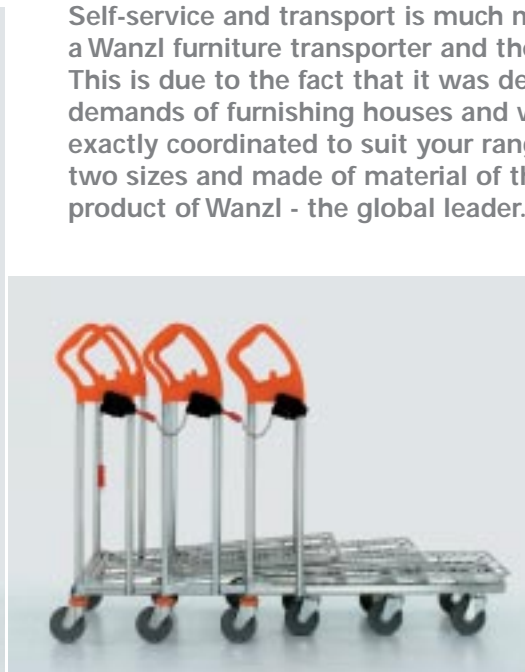
Together with Wanzl autowalk wheels the ideal combination for safe goods transport on autowalks.

## Transport competence promotes extra turnover



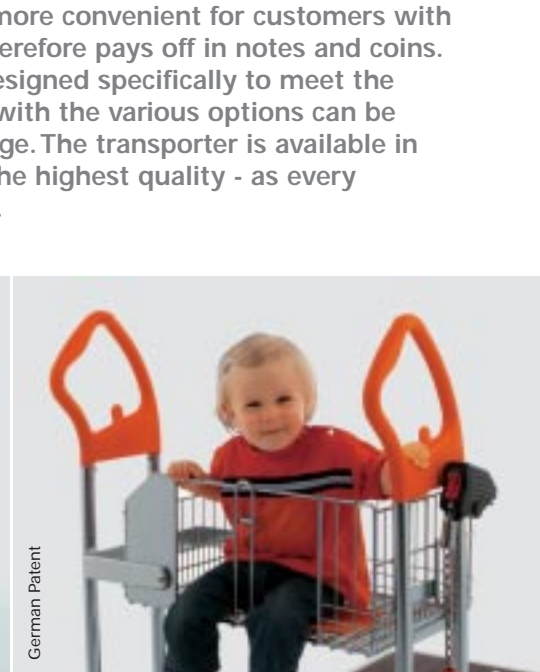
**Ergonomic**

The convenience of the handles and the agreeable, deep leg space.



**Economical**

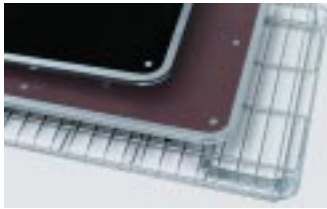
The compact design for space-saving nesting.



**Great for families**

The small item basket with standard comfort child seat.

# Convenience down to the last detail



**Tried-and-tested technology**  
 Frame of flat oval tubing, struts of round tubing with replaceable handles of break-proof plastic.  
 Wire platform: All-round, double-wire edge profile, runners at the front for smooth stacking.  
 Wooden platform: Frost and water-resistant bonding, all-round protection frame of square tubing. For autowalk version with additional ribbed rubber surface.



**Robust wheels**  
 Original Wanzl castor wheels Δ 125 mm with polyurethane tread, with deflector ring at rear for protection of trolley and store fittings.



**Clever details**  
 The end stop protects the hand from injury during furniture transport. The practical bag hook is located in the handle.



**Laboratory-tested quality**  
 High-gloss, galvanised, chromised surface with additional transparent plastic powder coating.

## This is how easy it is to customise your trolley

You know your range -and Wanzl knows the transport needs of your customers. This combination is a good basis for customising your trolleys to suit your requirements exactly. Here are some examples:



### "Standard" furniture trolley

- Design:
- Wire platform
  - Small item basket with child seat
  - Uniloc coin deposit lock system



### "Standard" furniture trolley

- Design:
- Wooden platform
  - 1 advertising sign 500 x 135 mm
  - Uniloc coin deposit lock system



### "Standard" furniture trolley

- Design:
- Wooden platform
  - Small item folding basket with child seat
  - Uniloc coin deposit lock system



### "Standard" furniture trolley

- Design:
- Wooden platform with ribbed rubber surface and extra bar
  - Wanzl autowalk wheels type 4
  - Small item basket with child seat
  - 2 advertising signs 350 x 135 mm
  - Uniloc coin deposit lock system



### "Spezial" furniture trolley

- Design:
- Sloping wire platform with integrated information board,
  - Wanzl autowalk wheels type 2
  - Uniloc coin deposit lock system

# The furniture trolley



It is a multi-function transporter for furniture, accessories and decoration items, can be effortlessly pushed and is therefore the preferred transporter for renowned businesses. Convenience for transport - made by Wanzl.

### Standard features

- 2 plastic handles
- Wire platform, mesh width 40 x 160 mm
- 4 original Wanzl castor wheels Δ 125 mm, polyurethane tread
- Loading capacity 200 kg
- Surface high-gloss galvanised, chromised and with transparent plastic powder coating



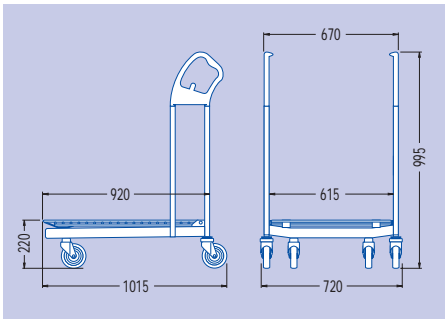
Furniture trolley		Standard	Spezial
		Order nr.	Order nr.
<b>Furniture transporter</b>		<b>05.50 482.52</b>	<b>05.34 239.52</b>
Length x width x height (mm)		1015 (*1085) x 720 x 995	1210 x 710 x 1100
Mesh width of the wire platform (mm)		40 x 160	60 x 50
Space requirements in the row per trolley (mm)		290	380
Space requirements in the row for 10 trolleys (mm)		3620	4640
Weight (kg)		21	24
<b>Furniture transporter with small item basket and child seat</b>		<b>05.87 833.52</b>	<b>05.34 352.52</b>
Length x width x height (mm)		1015 (*1085) x 720 x 995	1210 x 710 x 1100
Mesh width of the wire platform (mm)		40 x 160	60 x 50
Space requirements in the row per trolley (mm)		345	380
Space requirements in the row for 10 trolleys (mm)		4112	4640
Weight (kg)		23	26
<b>Furniture transporter with small item folding basket and child seat</b>		<b>05.50 481.52</b>	<b>05.34 465.52</b>
Length x width x height (mm)		1015 (*1085) x 720 x 995	1210 x 710 x 1100
Mesh width of the wire platform (mm)		40 x 160	60 x 50
Space requirements in the row per trolley (mm)		345	380
Space requirements in the row for 10 trolleys (mm)		4020	4640
Weight (kg)		25	28
Alternative: Platforms			
	Wooden platform	•	-
	Wooden platform with extra bar	• not for 05.50.481.52 with small item folding basket	-
	For passenger conveyors: Wooden platform with ribbed rubber surface	•	-
	For autowalk: Wooden platform with ribbed rubber surface and extra bar	• not for 05.50.481.52 with small item folding basket	-
Alternative: Wheels			
	4 original Wanzl castor wheels Δ 125 mm, rubber tread	•	•
	4 original Wanzl autowalk wheels Only in combination with wooden platforms with ribbed rubber surface	•	•
Accessories			
	Advertising sign, without printing, height 500 x width 135 mm	•	•
	Advertising sign, without printing, height 350 x width 135 mm - suitable for furniture transporters with small item basket or small item folding basket	•	•
	Flagpole with plastic flag, without printing	•	•
	Safety belt for small item baskets with child seat	•	•
Coin deposit lock systems			
	Uniloc coin deposit lock system	•	•
	Mount	•	•

Maximum load on passenger conveyor 130 kg

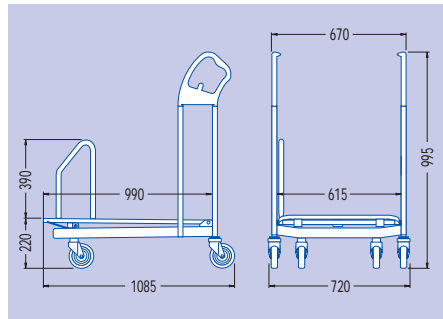
\* on version with wooden platform

• available options

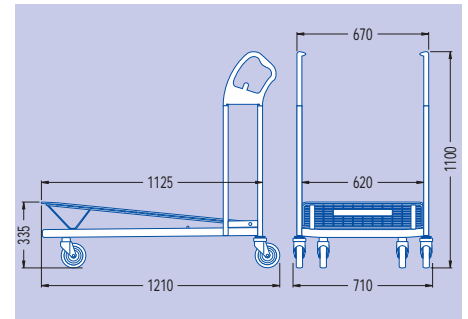
## Dimensions (mm)



"Standard" furniture trolley with wire platform



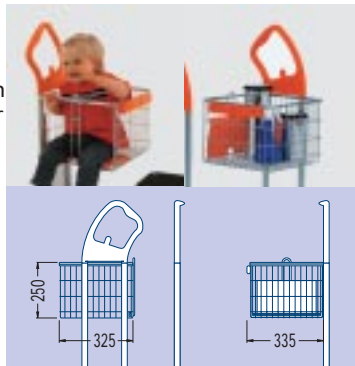
"Standard" furniture trolley with wooden platform and extra bar



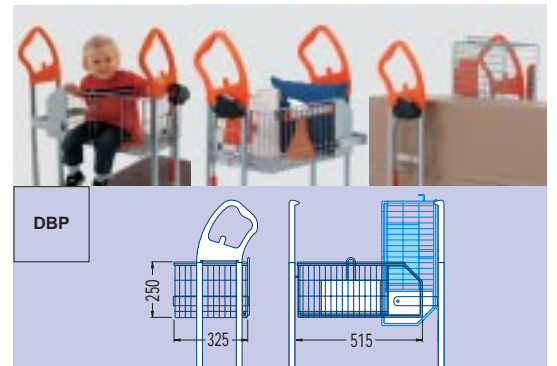
"Spezial" furniture trolley with sloping wire platform

## Practical small item baskets with child seat

**Small item basket with child seat**  
Fixed version. With hinged panel which can be used as child seat or for small items.



**Small item folding basket with child seat**  
Can be used as a child seat or small item basket. When the basket is folded up extra space for bulky articles.



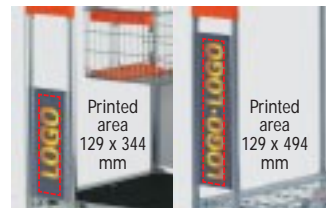
## Advertising options on the furniture trolley



**Printed handle:**  
Silk screen printing, max. surface 38 x 100 mm. Pad printing, max. surface approx. 42 x 125 mm.



**Printed wooden platform:**  
Single-colour silk-screen printing, max. surface approx. 550 x 800 mm.

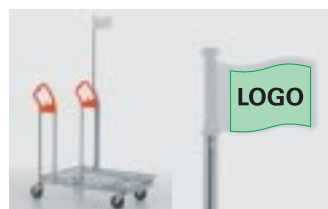


**Advertising signs, printed:**  
Single or multi-coloured, silk screen printing. Printing on both sides upon request.

**Printing specifications:**  
Printing is performed on the basis of your individual copies and data.



**Child seat, printed:**  
Single-colour, silk screen printing, maximum surface approx. 230 mm x 100 mm.



**Plastic flag, printed:**  
Single or multi-coloured, both sides, silk screen printing, maximum surface approx. 100 x 170 mm.



**"Spezial" furniture trolley:**  
**Integrated information board:**  
For stickers, maximum surface approx. 170 x 290 mm.

# Make a point with fresh colours

Colourful features enhance shopping fun and serve to heighten the recognition effect. Five attractive shades are available for all plastic components, and we can also coat the frame in your corporate colour upon request.



Select from five attractive colours for plastic components or the basic frame.



Standard colours

Flame red	RAL 3000
Pure orange	RAL 2004
Zinc yellow	RAL 1018
Traffic green	RAL 6024
Ultramarine blue	RAL 5002



**Germany:** Wanzl Metallwarenfabrik GmbH  
Bubesheimer Str. 4 · 89340 Leipheim  
Tel. +49 (0) 82 21 / 729-0 · Fax +49 (0) 82 21 / 729-110  
E-Mail [info@wanzl.de](mailto:info@wanzl.de) · [www.wanzl.com](http://www.wanzl.com)

**Great Britain:** Wanzl Ltd.  
Europa House · Heatcote Lane · Warwick CV 34 6 SP  
Tel. +44 (0) 1926 / 45 19 51 · Fax +44 (0) 1926 / 45 19 52  
E-Mail [enquiries@wanzl.co.uk](mailto:enquiries@wanzl.co.uk) · [www.wanzl.com](http://www.wanzl.com)

**Australia:** Wanzl Australia Pty. Ltd.  
97 Highbury Road · BURWOOD VIC 3125  
Tel. 0061 / 3 / 9808 2299 · Fax 0061 / 3 / 9808 2266  
[jlroy@wanzl.com.au](mailto:jlroy@wanzl.com.au) · [www.wanzl.com](http://www.wanzl.com)