

EHA2580 eZ.HD Series

5MP IP66 IR Dome Camera

User's Manual



Copyright © EverFocus Electronics Corp.

Release Date: September, 2019

All the images including product pictures or screen shots in this document are for example only. The images may vary depending on the product and software version. Information contained in this document is subject to change without notice.

EverFocus Taiwan:

2F., No.12, Ln. 270, Sec. 3, Beishen Rd., Shenkeng Dist., New Taipei City 222, Taiwan
TEL: +886 2 2662 2338 FAX: +886 2 2662 3632 www.everfocus.com.tw

1. Introduction

Equipped with a 5MP Sony STARVIS CMOS sensor, the EverFocus eZ.HD series cameras – EHA2580 deliver 5MP image quality. The model provides 2.8-12mm lens with ICR. Featured with True Wide Dynamic Range (T-WDR), the camera can provide clear images even under backlight circumstances where intensity of illumination can vary excessively. The EHA2580 supports both NTSC and PAL scanning systems and is IP66 certified.

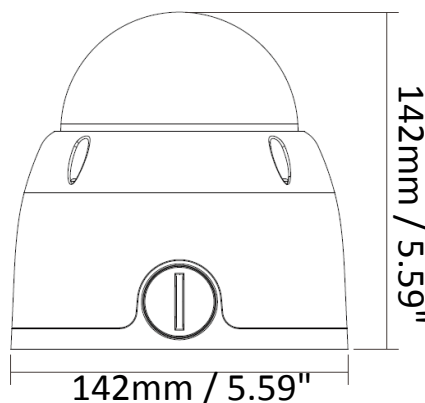
1.1 Packing List

- Camera x 1
- Mounting Sticker x 1
- L-Type Wrench x 1
- Screw & Screw Anchor x 4
- Desiccant Bag x 1
- User Manual x 1




1.2 Features



- 5MP Sony STARVIS CMOS sensor, delivering amazing high sensitivity
- Varifocal 2.8-12mm with ICR to capture the desired field of view
- Extended IR range of up to 30m / 98ft. with 4 LEDs (depends on scene IR reflectivity)
- T-WDR to improve the visibility under high contrast scene
- 3-Axis rotation design allows wall or ceiling mounting
- IP66-rated with metal housing
- Supports UTC function: Control camera OSD settings directly from DVR end

1.3 Dimensions

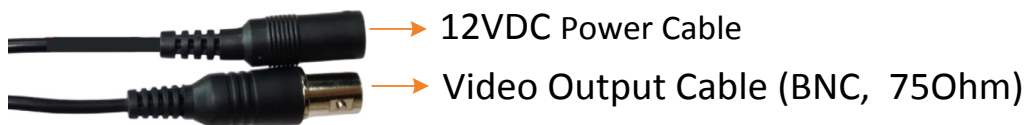


1.4 Optional Accessory

Type	Wall Mount Bracket		
Image			
Model	BA-EB45	BA-EB28	BA-EB18
Color	White / Metal	White / Metal	White / Metal
Size (WxDxH)	245x160x163mm 9.65"x6.3"x6.42"	140x136x233mm 5.51"x5.35"x9.17"	120x207x134mm 4.72"x8.15"x5.28"
Weight	2.1kg / 4.63lb	2.1kg / 4.63lb	1.1kg / 2.43lb

Type	Ceiling Mount Bracket	
Image		
Model	BA-EB3A	BA-EB3B
Color	White / Metal	White / Metal
Size (WxDxH)	136x136x243mm 5.35"x5.35"x9.57"	136x136x443mm 5.35"x5.35"x17.44"
Weight	2.4kg / 5.29lb	3.6kg / 7.94lb

1.5 Cable Description

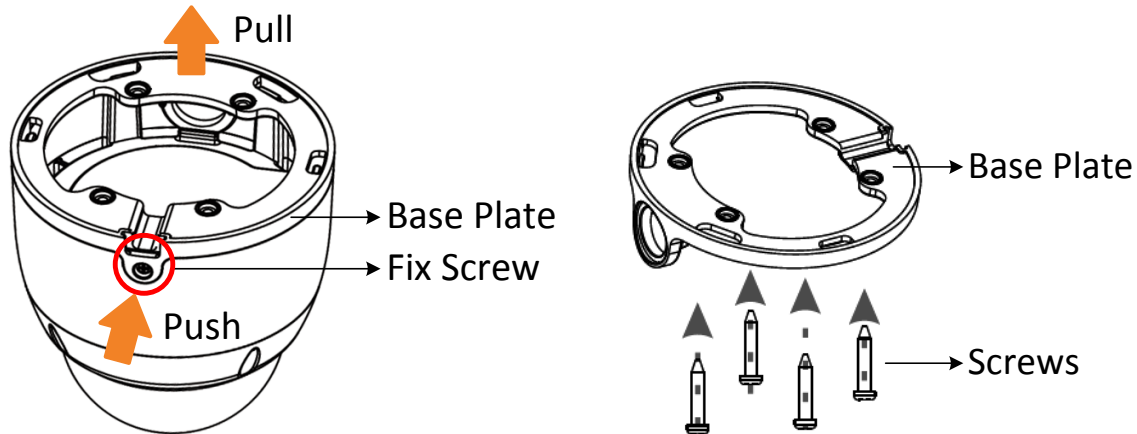


2. Installation

1. Stick the supplied **Mounting Sticker** to the surface to mark the 4 screw positions. Drill four holes on the surface and insert the supplied 4 **Screw Anchors** into the screw holes. If you want to run the cable through the surface, drill a hole within the 4 screw area.

2. To mount the camera to the surface:

- a. Remove the **Base Plate** from the camera. To do so, 1) Remove the **Fix Screw** 2) Slightly push the **Base Plate** backward from the Fix Screw side and then pull out the Base Plate. Screw the **Base Plate** to the surface using the supplied 4 **Screws**.



- b. Open the Camera Cover to remove the old desiccant bag from the Camera Body and stick the supplied **Desiccant Bag** inside the Camera Body. It's highly recommended to replace the desiccant bag every time when you open the Camera Cover.

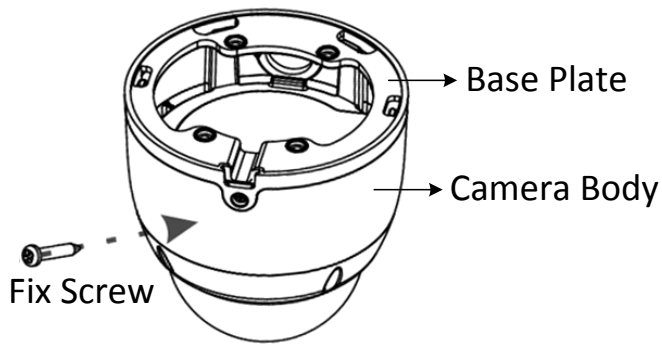


Note: Please screw back the Camera Cover immediately in case of reducing the absorption capacity of the desiccant bag inside the camera body.

- c. For the first time installation, check whether the camera is properly focused. If not, you can optionally adjust camera zoom and focus by adjusting the Zoom Screw or Focus Screw using a slotted screwdriver.

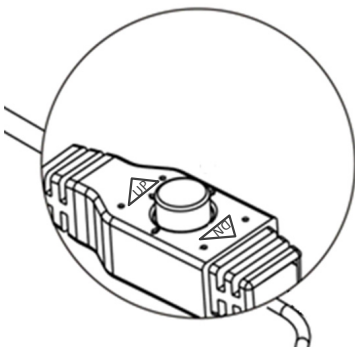


d. Attach the **Camera Body** to the **Base Plate**. Screw back the **Fix Screw**.



3. Connect the **Power Cable** to a 12VDC power source. Connect the **Video Output Cable** to a monitor or DVR.

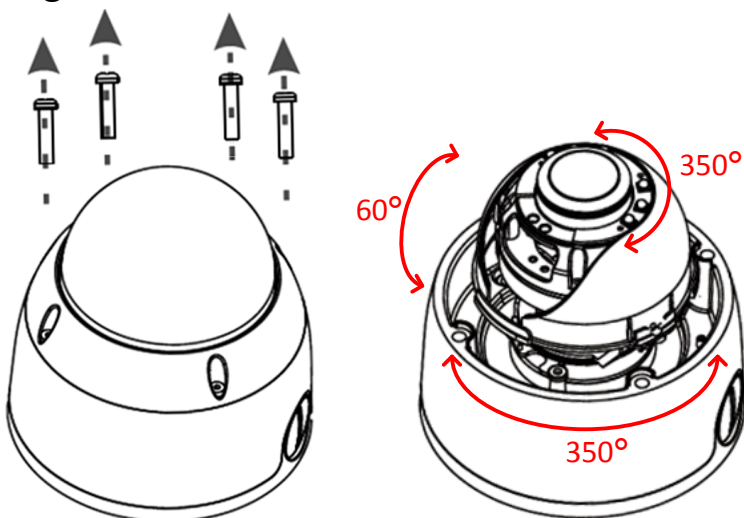
4. You can use the **Joystick** on the cable to configure camera OSD settings. Remove the Protection Cap from the Joystick before using it.



Configuring OSD Settings:

- Push the Joystick up / down to select among menu items.
- Push the Joystick left / right to adjust the level of the selected item.
- Press the Joystick to enter the submenu or exit the OSD Setup Menu.

5. You can optionally adjust the camera angles. To do so, unscrew the 4 cover screws using the supplied **L-Type Wrench** and then remove the cover. Adjust the camera angles (Tilt: 60°, Pan: 350°, Rotate: 350°). After adjusting camera angles, screw back the camera cover.



3. Configuration in the OSD Menu

No	Main	Sub Menu	Sub Menu / Function				
1	Edge Det	On	Level	0-10			
			Color	YEL, CYN, GRN, MAG, RED, BLU, BLK, WHT			
		Off					
2	Exposure	Brightness	0-20				
		Shutter	Auto	Mode	Normal / Deblur		
			Manual	Speed	1/30, 1/60, 1/120, 1/250, 1/500, 1/1000, 1/2000, 1/4000, 1/8000, 1/15000, 1/30000		
			Flicker				
		Sens-Up	X2, x4, x8, x16, x32, Off				
		AGC	0-10				
3	Backlight	HLC	Level	0-20			
			Color	YEL, CYN, GRN, MAG, RED, BLU, BLK, WHT			
		BLC	H-POS	0-26			
			V-POS	0-32			
			H-SIZE	0-26			
			V-SIZE	0-32			
		WDR	ROI Mode	WDR Mode	Frame, Line		
				Box	Window Zone	0-3	
					Window Use	On, Off	
					H-POS	0-2608	
					V-POS	0-1960	
					H-SIZE	0-2608	
					V-SIZE	0-1960	
				Polygon	Window Zone	0-3	
					Window Use	On, Off	
					POS0-X	0-721	
					POS0-Y	0-535	
					POS1-X	0-721	
					POS1-Y	0-535	
					POS2-X	0-721	
		POS2-Y	0-535				
POS3-X	0-721						
POS3-Y	0-535						
	Off						
Weight	High, Middle, Low						
Off							
4	Day/Night	Mode	Auto	IR LED	Adaptive, Off		
				Anti-Sat.	0-20		
				D>N Thres	0-20		
				N>D Thres	0-20		
				Delay	High, Middle, Low		
			B/W	Color			
				B/W	IR LED	Adaptive, Off	
					Anti-Sat.	0-20	
					D>N Thres	0-20	
					N>D Thres	0-20	
Delay	High, Middle, Low						

				IR LED	Adaptive, Off		
				Anti-Sat.	0-20		
			Extern	Extern SW	High, Low		
				D>N Thres	0-20		
				N>D Thres	0-20		
				Delay	High, Middle, Low		
5	Color	AWB	Auto				
			Autoext				
			Preset				
		Manual	C-Temp	3000K, 5000K, 8000K			
			R-Gain	0-20			
		B-Gain	0-20				
		Color Gain	0-20				
6	DNR	High, Middle, Low, Off					
7	Image	Sharpness	0-10				
		Gamma	0.45, 0.55, 0.65, 0.75				
		Mirror	On, Off				
		Flip	On, Off				
		D-Zoom	1.0X-16X				
		ACE	High, Middle, Low, Off				
		Defog	On	Mode	Auto, Manual		
				Level	High, Middle, Low		
			Off				
		Shading	On	Weight	0%-100%		
				Off			
				Box	On	Zone Num	0-15
						Zone Disp	On, Off
						H-POS	0-80
						V-POS	0-61
						H-Size	0-80
						V-Size	0-61
						Y Level	0-20
						CB Level	0-20
						CR Level	0-20
						Trans	0-3
			Off				
		Polygon	On	Zone Num	0-7		
				Zone Disp	On, Off		
				POS0-X	0-162		
				POS0-Y	0-122		
				POS1-X	0-162		
				POS1-Y	0-122		
				POS2-X	0-162		
				POS2-Y	0-122		
				POS3-X	0-162		
				POS3-Y	0-122		
				Y Level	0-20		
				CB Level	0-20		
		CR Level	0-20				
		Trans	0-3				
			Off				

8	Motion	On	Det Window	Window Use	0-3		
				Window Zone	On, Off		
				Det H-POS	0-80		
				Det V-POS	0-60		
				Det H-Size	0-80		
				Det V-Size	0-60		
			Sensitivity	0-10			
			Motion OSD	On, Off			
			Text Alarm	On, Off			
		Signal Out	On, Off				
		Off					
9	System	Output	Frame Rate	4K/15fps, 4MP/30fps, 1080p/30fps, 5MP/12.5fps, 5MP/20fps, 4MP/15fps			
			Freq	60Hz, 50Hz			
			Analog Mode	AHD, TVI, CVI, CVBS			
			Confirm	Yes			
			Return				
			Exit				
		Image Range	Full				
			Comp				
			User	Offset	0-32		
		Color Space	HD-CbCr, SD-CbCr, YUV				
		Audio Mic	Not supported				
		Color Bar	On, Off				
		Language	ENG, CHN, CHN(S), JPN, KOR, POR, ESP				
		Cam Title	Left-Down				
			Right-Up				
			Off				
Reset	On						
10	Exit						