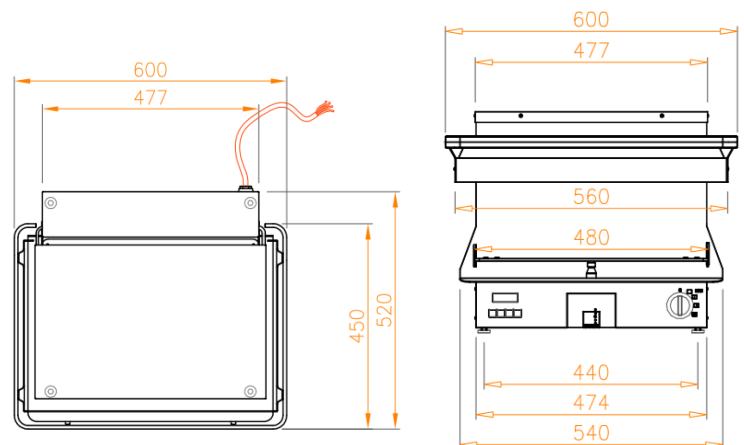
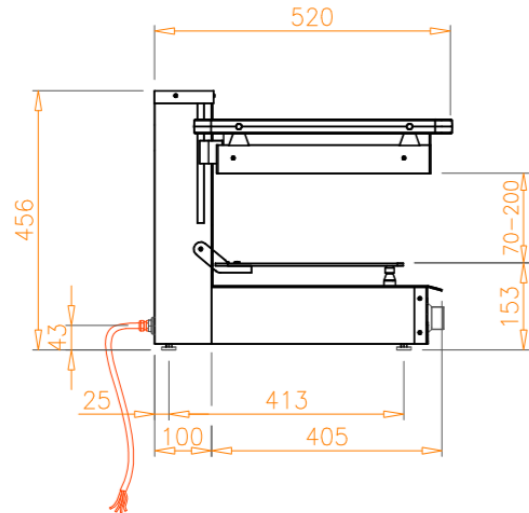


Product Advantages:

- **Compact** – Can be used in many areas.
- **Automatic plate detection** – Switchable clever function. Due to the quick heating systems, you will save precious energy. **Up to 70 % reduced power consumption** with the Salvis plate detection.
- **Reflector** – The head reflector is equipped with a patented double coat and a smart heating system; it prevents high temperatures on the reflector handle.
- **Timer** – The device will automatically switch off after the desired gratination time.
- **Operation** – Three operating modes to choose from. Manual, semi-automatic and fully automatic.
- **Hygiene** – High-quality workmanship, large radii and foldable plate rest.
- **Heating systems** – Fast HiLight heater (HL).



Technical Data:

Dimensions (W x D x H)	600 x 520 x 445 mm
Electronic timer	0 to 20 minutes
Sensible heat emission	2.80 kW
Latent heat emission	0.70 kW
Connected Load	4.6 kW
Voltage (V) / EC	415 3 phase AC
Recommended fuses	3 x 20 A
Frequency	50 Hz