



Moisture
Control Unit.
MYFD / MOZG.

Constant grain moisture. **Efficient grinding process.**



Precise determination of the moisture through the moisture measuring device MYFD.

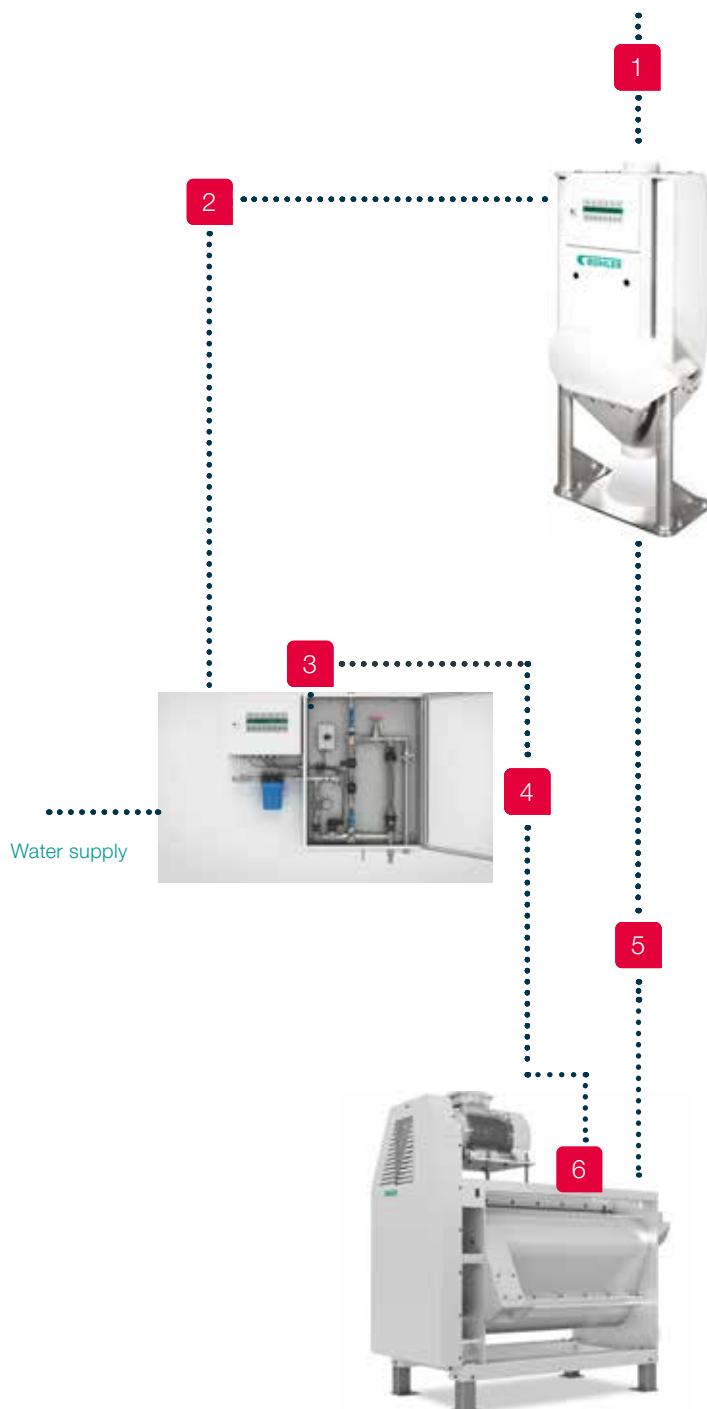
Perfectly matched components ensure consistent product moisture.

With the MYFD Moisture Measuring Device and the MOZG Liquids Flow Controller, two state-of-the-art units are available today for automatically determining the grain moisture and achieving accurate water metering. The initial moisture content, the throughput rate measured, and the required target moisture are the three quantities on the basis of which the MEAG electronic control system continuously calculates the necessary dampening water volume. This volume is then accurately metered by the new MOZG Liquids Flow Controller and added to the grain. Continuous measurement and automatic control of the grain moisture in flour mills is required for achieving efficient and uniform grinding of the grain.

Customer benefits at a glance:

- Constant product moisture
- High measuring accuracy
- Compact and reliable
- High metering accuracy
- Low maintenance
- Maximum flexibility

Moisture control system. Optimal interaction.



1

Grain flows into the MYFD.

2

Grain moisture is measured by micro-wave technology and throughput by load cell. On the basis of the actual moisture content, the throughput rate measured, and the desired target moisture, the MEAG calculates the necessary dampening water volume.

3

MOZG meters the necessary dampening water volume.

4

Grain flows from MYFD to MOZL dampener.

5

Dampening water volume is transmitted to MOZL dampener.

6

Grain is dampened.

MYFD Moisture Measuring Device. **Constant and precise.**

Constant product moisture.

Thanks to the optimal matching of the MYFD/MOZG pair of units, this Bühler moisture control unit ensures uniform and consistent product moisture at all times.

High measuring accuracy.

The use of proven microwave technology in the MYFD Moisture Measurement Device ensures accurate moisture readings.

Compact and reliable.

The MYFD Moisture Measurement Device is characterized by its sturdy and compact design. In addition, it satisfies the most rigorous food safety standards.

Low maintenance.

Wear parts inside the MYFD Moisture Measurement Device can easily be exchanged. This minimizes downtimes.



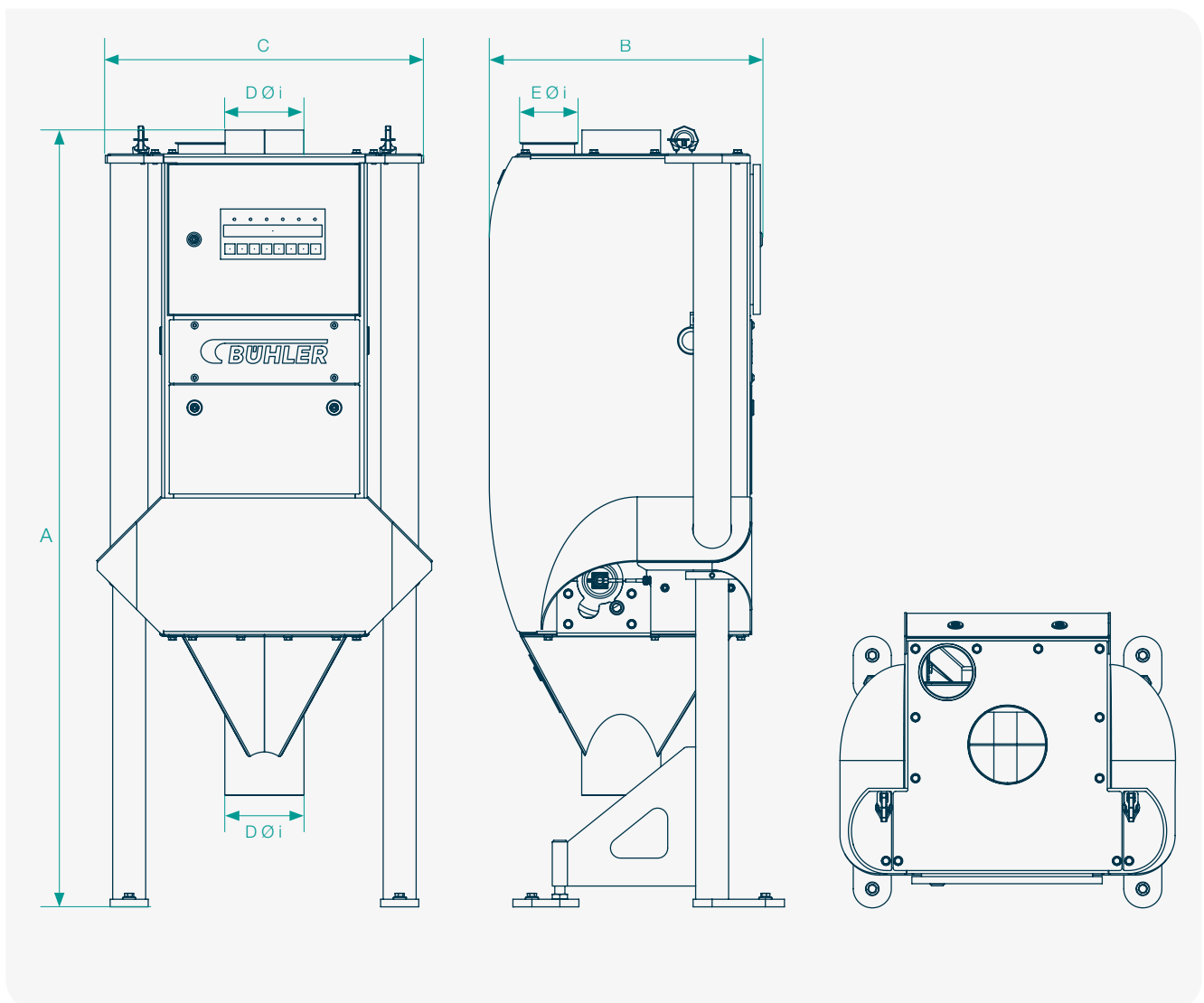
Continuous calculation of the dampening water volume by the control system MEAG.

MYFD Moisture Measuring Device.

The perfect match for every plant.

The technical data of MYFD Moisture Measuring Device at a glance:

Model	Throughput t/h Grain	Dimensions mm						Weight kg	
		A min.	A max.	B	C	D Ø i	E Ø i	net	gross
MYFD-10	1 - 10	1250	1550	516	659	120/150	100	155	175
MYFD-30	10 - 30	1250	1550	516	659	120/150	100	155	175
MYFD-80	30 - 80	1590	1860	616	779	200/250	100	215	235



MOZG Liquids Flow Controller. **Accurate and reliable.**



Accurately metering of the liquids thanks MOZG.

High metering accuracy.

The exact addition of the water volume calculated ensures an efficient grinding process and a constant product moisture content.

Maximum flexibility.

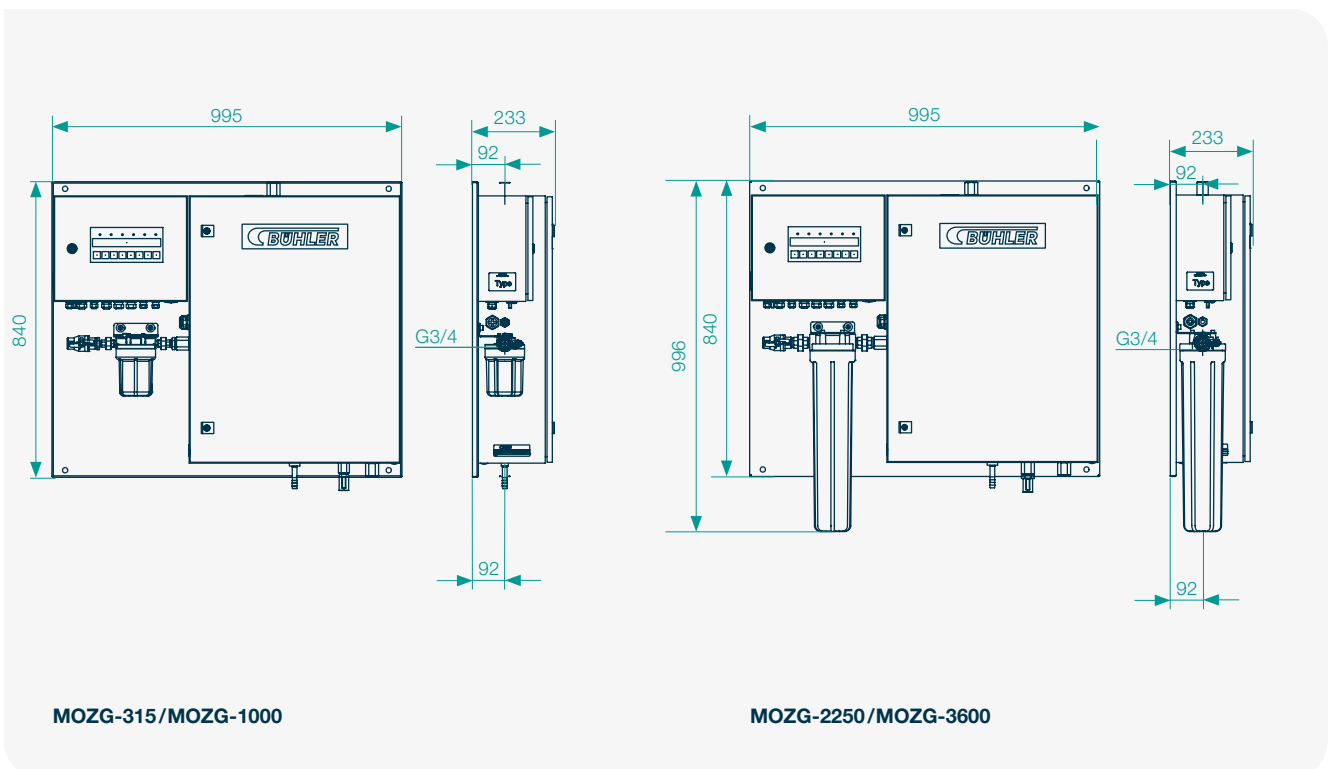
The MOZG Liquids Flow Controller is suitable both for normal and for chlorinated water (50°C / 600 ppm). For water temperatures up to 90°C, a special hot-water version is available. Installation of an additional filter set (twin filter) enables the MOZG Liquids Flow Controller to be used also with heavily contaminated water.

MOZG Liquids Flow Controller. Compact and flexible.

The technical data of MOZG Liquids Flow Controller at a glance:

Model	Metering range Automatic mode	Metering range Manual mode	Weight kg	Min. input pressure of the liquid bar
	l/h	l/h		
MOZG-315-N-C	20 - 500	31.5 - 315	74	1.5
MOZG-315-H	20 - 500	31.5 - 315	78	1.5
MOZG-1000-N-C	180 - 1000	100 - 1000	75	2
MOZG-1000-H	180 - 1000	100 - 1000	78	2
MOZG-2250-N-C	200 - 2250	200 - 2250	77	2.5
MOZG-3600-N-C	400 - 3600	400 - 3600	78	2.5

Design version N-C for normal and chlorinated water (50°C / 600 ppm). Design version H for hot water (90°C).



Bühler AG

CH-9240 Uzwil
Switzerland

T + 41 71 955 11 11
F + 41 71 955 66 11

buhlergroup.com/milling

Flyer MYFD/MOZG en 08/17 ZACC