

STANDARD EQUIPMENT

- Automatic levelling outriggers
- Emergency hand pump
- Cylinder holding valve
- Hour meter
- Momentum device
- Load cell
- Hydraulic Jib
- Rubber tracks
- 230V - 16 A electro-pump for indoor use
- Air / Water outlet in the platform
- 230V - 16 A outlet in the platform
- Honda GX390 petrol engine - 11 HP 3600 rpm
- Removable wired control box

OPTIONALS

- 12V emergency electro-pump
- Hydraulically adjustable tracks width
- Working light in the platform
- Non-marking rubber tracks
- Oversized outrigger pads (ø 350 mm)
- Wireless radio-control box

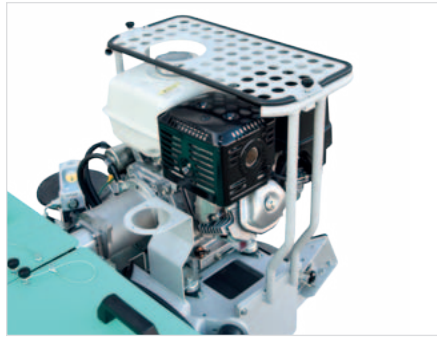
BENEFITS

- ✓ Removable wired control panel for remote control of the platform during translation.
- ✓ Electro-hydraulic controls: efficiency and safety for the operators.
- ✓ Automatic levelling outriggers: maximum easiness of use and safety.
- ✓ Permanent weight control device and momentum device for improved safety and performance.
- ✓ Turret slewing 360° (not continuous): aerial accessibility in any work situation.
- ✓ Compact overall sizes and reduced stabilization footprint (2.7 x 2.8 m).
- ✓ Aluminium platform 1.30 x 0.75 x 1.10 m.
- ✓ Reduced weight (1500 kg) for maximum transportability.
- ✓ Hydraulically adjustable tracks width (optional): higher stability and greater traction to move around the building site and rough terrain.

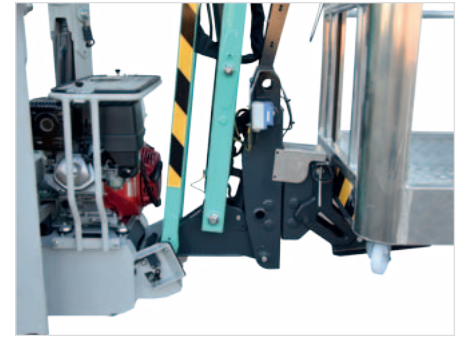




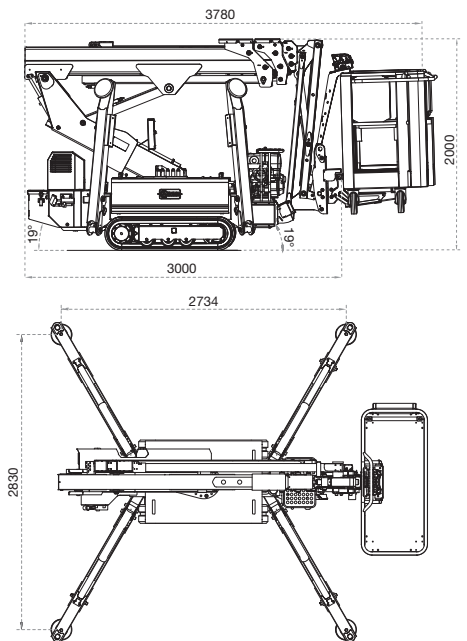
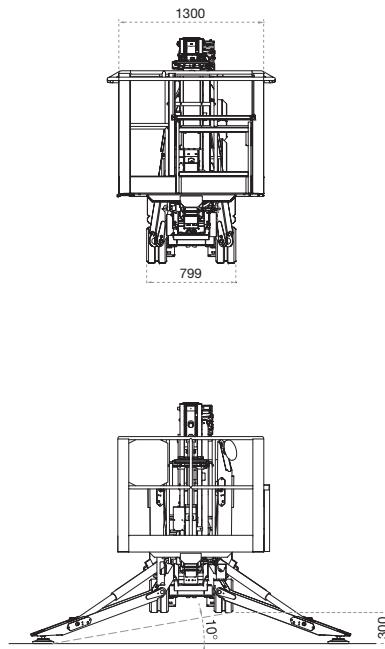
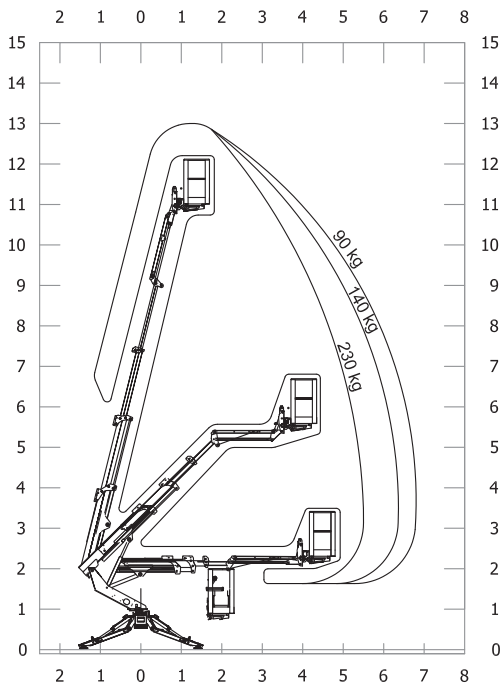
User-friendly control panel with external support to the basket. More space available in the basket.



Endothermic power pack dully guarded for improved safety.



Compactness of the jib assembly hosting the load cell and basket quick mounting system.



IMR 13T		
Working height	m	13
Platform height	m	11
Side outreach	m/kg	5.5 / 230 - 6.3 / 140 - 6.8 / 90
Slewing	degrees	360° (not continuous)
Basket dimensions	m	1.30 x 0.75 x 1.10
Transport length	m	3.8 / 3.0 (without basket)
Transport width	m	1.30 / 0.79 (without basket)
Stowed height	m	2.0
Overall outrigger footprint	m	2.7 x 2.8
Driving speed	km/h	1.5
Gradeability	degrees	18
Platform capacity	kg	230
Electric motor		230V / 2.2 kW
Petrol engine		Honda GX390 - 11 HP 3600 rpm
Total weight of the machine	kg	1500*

*1555 kg with hydraulically adjustable tracks



Compact dimensions for enhanced accessibility in any working site.