

JIALIFT®



www.jialift.com.au

SPN1035S Semi - electric Stacker

- 1000kg Capacity; Max Lifting Height - 3500mm
- Walk-behind operate no license required
- Safe, reliable, sustainable and low maintenance

CE

JIALIFT Semi-electric Walkie Stacker (straddle leg) (1T/3500mm)

With electric lift and manual push, SPN-S series semi-electric pallet stacker is easy to control, and environmental efficiency, which is widely used in overhead cargo and pallet moving and stacking. Using SPN is safe and efficient in factories, warehouses, and logistics centres. While in some narrow passage, floors, and other high rack warehouses, using SPN-S is more flexible, silent and environmental. Straddle Legs Models suit on Standard Australian Pallet (CHEP). It offers a number of **advantages**:

- Walk-behind operate no license required. Straddle Legs Models suit on
- Standard Australian Pallet (CHEP)
- Control Panel: Fascia-mounted control panel with raise/lower buttons, emergency stop trigger, battery indicator and hour-meter.
- The in-built charger is single phase (wall plug) can be easily charged
- Adjustable Fork: Forged forks with an adjustable width. Easy service and maintenance
- Lockable wheel: Wheels: Brake-enabled with 360-degree rotation. Large diameter steered rear wheel for easy movement across any surface.

Standard Equipment:

Also Included in our Offer: Battery and Charger

Warranty: 5 Years refer to the JIALIFT warranty terms and conditions



JIALIFT AUSTRALIA PTY LTD

Call Us: 1300 000 168 Email: sales@jialift.com.au

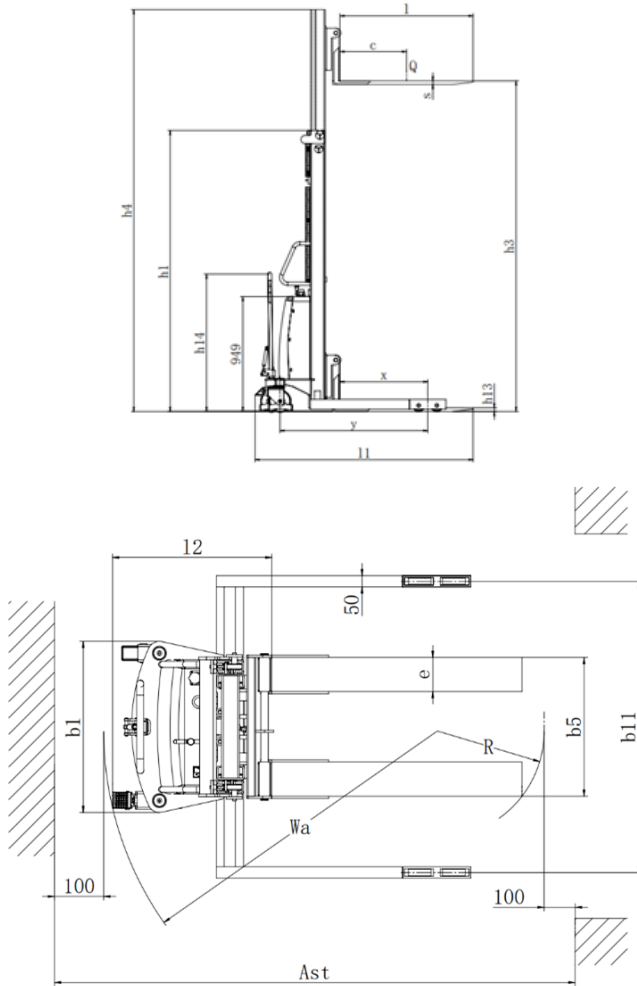
46-48 Geddes St, Mulgrave VIC 3170 Open at 8:30 am - 5:30 pm, Monday-Friday



www.jialift.com.au

JIALIFT®

MATERIAL HANDLING EQUIPMENT



JIALIFT AUSTRALIA PTY LTD

Call Us: 1300 000 168 Email: sales@jialift.com.au

46-48 Geddes St, Mulgrave VIC 3170 Open at 8:30 am - 5:30 pm, Monday-Friday



www.jialift.com.au

Distinguishing mark		
Model designation		SPN1035S
Load capacity	kg	1000
Load capacity on max. Height	kg	500
Max lifting height	mm	3500
Load center distance	mm	600
Weight		
Service weight	kg	510
Dimensions		
Fork length	mm	1150
Single fork width	mm	100
Two forks outside width	mm	210-830
Lowered fork height	mm	40
Fixed leg length	mm	1120
Single fixed leg width	mm	50
Inner width of two fixed legs	mm	1230
Outside width of fixed legs	mm	1330
Turning radius	mm	1350
Aisle width for pallets 1200 × 1200 crossways	mm	2400
Overall length	mm	1800
Overall width	mm	1330
Extended mast height	mm	4060
Lowered mast height	mm	2330
Types, Chassis		
Front wheel size, number	mm	100x26, 4
Rear wheel size, number	mm	180x50, 2
Electric-engine		
Lift motor rating	kW	1.5
Lift motor	V	DC 12V
The charger		12V/20A
Battery voltage/nominal capacity		12V/120AH



JIALIFT AUSTRALIA PTY LTD

Call Us: 1300 000 168 Email: sales@jialift.com.au

46-48 Geddes St, Mulgrave VIC 3170 Open at 8:30 am - 5:30 pm, Monday-Friday

www.jialift.com.au