

# Operator-friendly, Robust, Powerful, Safety-emphasized.



## 9VX<sup>3</sup>

### Operability

#### ■ Equipped with wide spanner



With the widest ranging spanners in its class, the machine can access into tight spaces to ensure a very high level of work performance.

#### ■ Direct control system



#### ■ Extremely small rear-end radius

The rear-end radius of 485mm enables the 9VX3 to swing freely without worry to collide backwards under safer working conditions.

#### ■ Retractable dozer blade extension (optional)



The blade width can be easily adjusted, offering you the flexibility to fit the job. Adjustment is simple and easy with the two fastening pins.

#### ■ Powerful bucket digging force : 10.6kN

#### ■ Easy access to operator's seat

#### ■ Smallest front swing radius in its class : 950mm

### Easy Maintenance

#### ■ Wide, fully opening engine-cover enables ease of maintenance



#### ■ Highly anti-corrosive aluminum radiator



#### ■ Segmented boom cylinder hose design makes replacement easier



### Durability

#### ■ Thick rubber shoe provides higher durability

#### ■ Rugged steel-pressed engine cover

#### ■ Highly durable blade

#### ■ Bucket cylinder hose built inside the arm

### Safety

#### ■ Swing motor with automatic parking brake

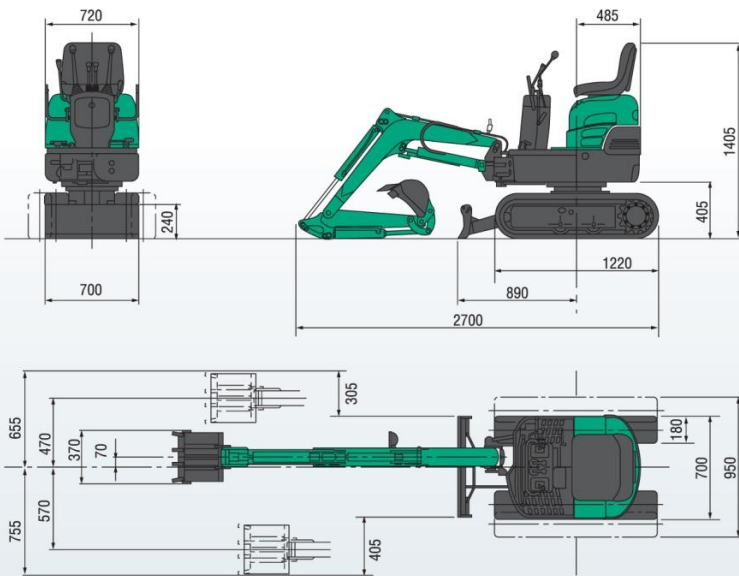
#### ■ Gate lock system as standard equipment

# 9VX3 Mini Excavator

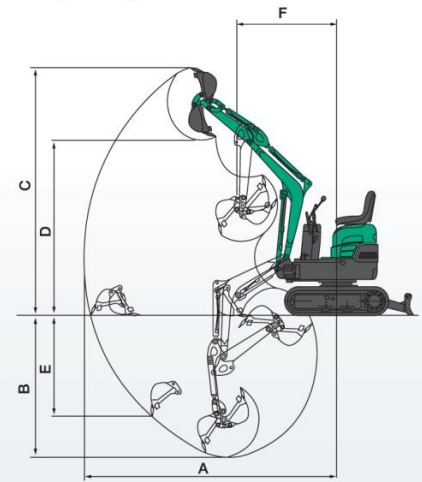
Standard Bucket Capacity : ISO 0.022m<sup>3</sup>



## ■ Dimensions (Unit:mm)



## ■ Working Range (Unit:mm)



A	Max. digging radius	2980 (3190)
B	Max. digging depth	1570 (1770)
C	Max. digging height	2755 (2950)
D	Max. dumping height	1970 (2150)
E	Max. vertical digging depth	1175 (1400)
F	Min. front turning radius	1220 (1320)
	At right boom swing	950 (1030)

\* ( ): Figures for long arm

## ■ 9VX3 Specifications

Performance		Boom swing system	
Bucket capacity	0.022m <sup>3</sup>	Type	Boom offset with hydraulic cylinder
Bucket width	370mm	Swing angle (L/R)	90°/50°
Operating weight	965kg	Hydraulic system	
Transportation weight	890kg	Pressure	16.2MPa (165kgf/cm <sup>2</sup> )
Swing speed	8.7min <sup>-1</sup>	Pump hydraulic flow	11.1L/min×2
Travel speed (low/high)	1.7/3.5km/h	Dozer blade	
Gradeability	58% (30°)	Size	700mm×240mm
Ground pressure	26.2kPa (0.27kgf/cm <sup>2</sup> )	Lift above ground / Drop below ground	220mm/150mm
Max bucket digging force	10.6kN (1086kgf)	Max auxiliary flow	
Engine		Auxiliary line	11L/min
Model	Yanmar 2TNV70		
Rated output	7.3kW/2400min <sup>-1</sup> (9.9PS/2400rpm)		
Fuel tank capacity	8.5L		

## ■ Options

### Bucket

- 0.011m<sup>3</sup>/Digging bucket (220mm width)
- 0.017m<sup>3</sup>/Long arm bucket (320mm width)

- Auxiliary piping ①
- Gate lock lever ②
- Additional dozer blade ③
- Long arm (standard +200mm)
- Roll bar

