

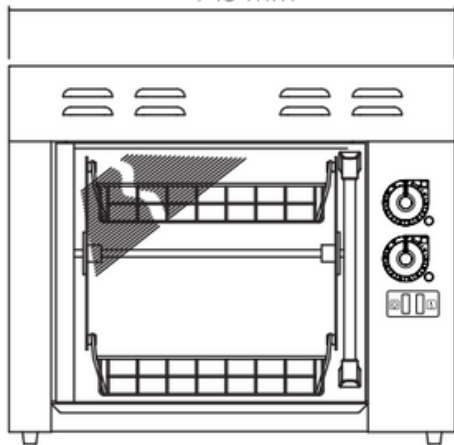


CHICKEN ROTISSERIE CGA0008

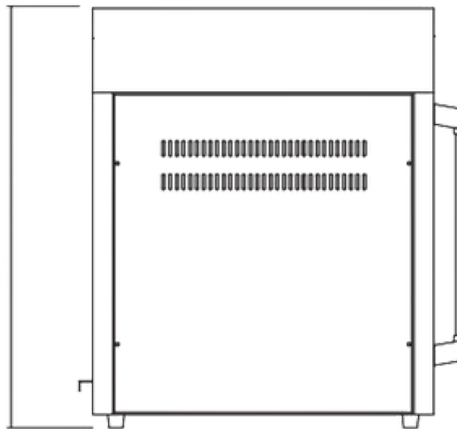


- Full Stainless Steel construction with Chrome plated wire baskets and full removable drip tray for ease of cleaning
- A timer is fitted for controlled operation.
- A bypass function is provided on the timer for continuous use
- Glass front and rear makes this a good point of sale unit as the customer can see the product at all times
- Internal light to enhance the view of the chickens at all times
- Thermostatically controlled
- Unique heating system ensures uniform temperature distribution

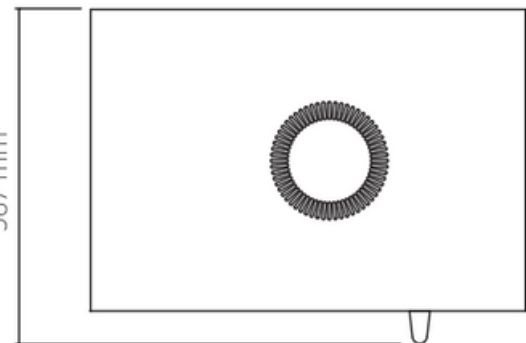
743 mm



587 mm



567 mm



Specifications

Voltage: 240V 15A

Power: 2.7kW

Size: 743 x 567 x 587mm

Weight: 38kg

Origin: South Africa

Warranty: 12 Months Warranty