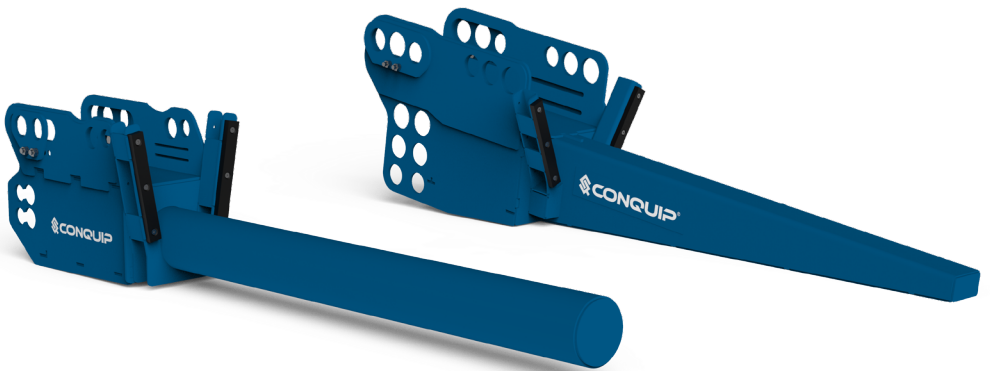


User Guide

Excavator Pipe Laying Hook



Product Information

Overview

The Conquip Excavator Pipe Laying Hook is an excavator attachment used for fast and safe handling of pipe sections. This device can be used for unloading delivery vehicles, transporting around site and placement. It avoids the need for ground workers to be in the trench during pipe installation, and replaces traditional slinging methods for unloading trucks.

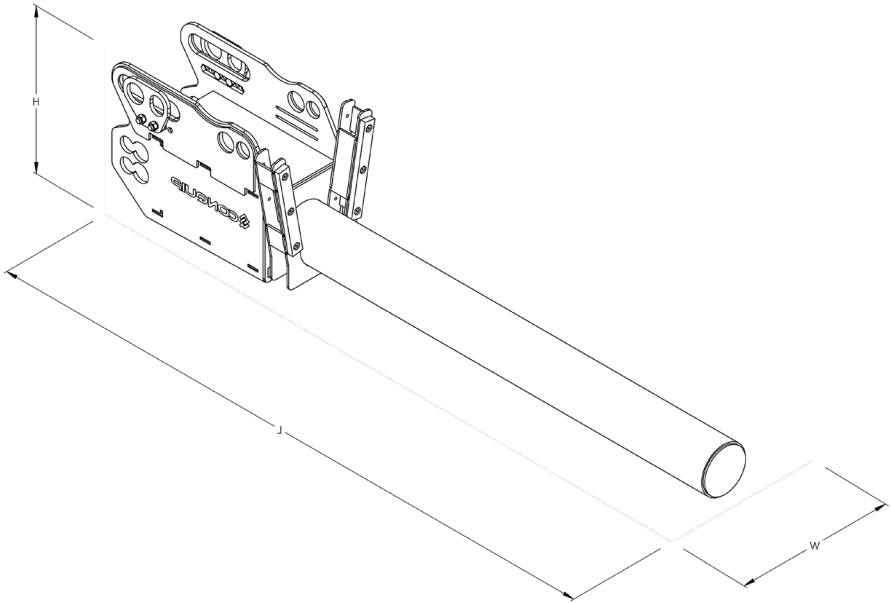
Key Benefits

- Rubber stops on the back plate act as a buffer to prevent pipes from breaking when sliding into the back plate.
- The 4T Excavator Pipe Laying Hook can lift pipes with diameters from 300mm due to its cylindrical design.
- The 6T and 8.5T can lift pipes with diameters from 375mm.
- Adjustable pin centres to fit the quick hitch of most types of excavator.
- Can be supplied with 65mm or 80mm pins to suit 13 to 22 tonne excavators or 90mm, 100mm, or 110mm pins to suit 30-50 tonne excavators.
- Available in 3 sizes to suit varying site requirements.

Product Information

Specification

Item	Product Code
Excavator Pipe Laying Hook 4000	EA012AP-04000



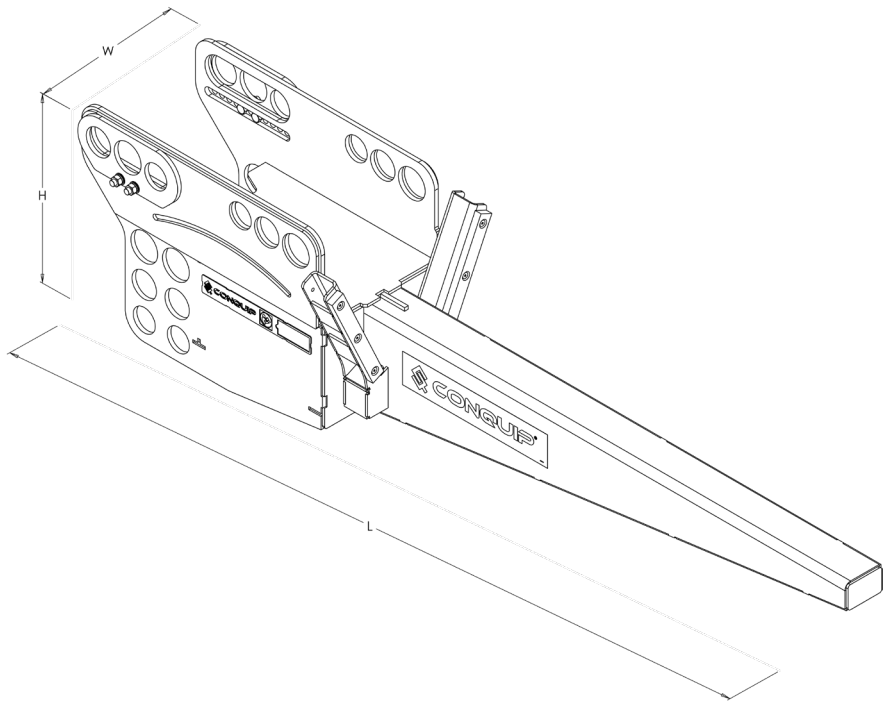
¹Working Load Limit

Height	Width	Length	Boom Length	Weight	WLL ¹	Pin Sizes
600mm	500mm	2910mm	1800mm	290kg	4000kg	65 / 80mm

Product Information

Specification

Item	Product Code
Excavator Pipe Laying Hook 6000	EA012AK-06000
Excavator Pipe Laying Hook 8500	EA012AN-08500



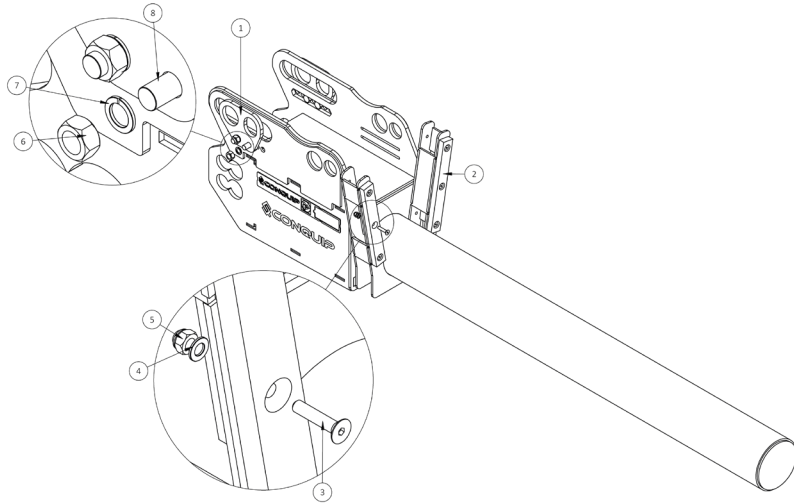
¹Working Load Limit

Height	Width	Length	Boom Length	Weight	WLL ¹	Pin Sizes
740mm	666mm	2998mm	1874mm	380kg	6000kg	90 / 100 / 110mm
750mm	690mm	3010mm	1870mm	400kg	8500kg	90 / 100 / 110mm

Product Information

Parts Diagram

Excavator Pipe Laying Hook 4000



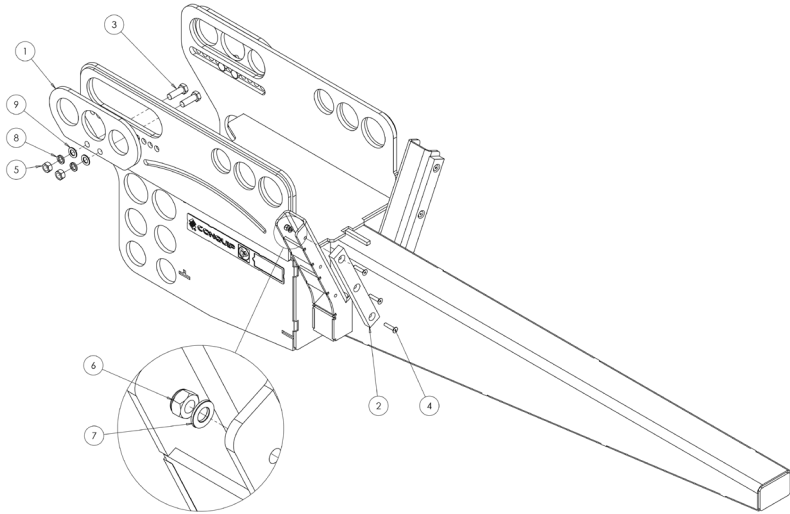
NOTE: These parts are for this model, they may differ for previous versions. Please contact Conquip with any queries.

Item Number	Part Number	Description	Quantity
1	ZZ130137	Adjustment Plate for Type 2 Hitch	2
2	ZZ990509	Polyurethane Buffer	2
3		M10x50 Socket Countersunk Head Screw	6
4	NS800018	M10 Flat Washer	6
5	NS800013	M10 Nyloc Nut	6
6	NS800280	M20 Full Nut	4
7	NS800886	M20 Spring Washer	4
8	NS800878	M20x50 Hex Head Set Screw 8.8	4

Product Information

Parts Diagram

Excavator Pipe Laying Hook 6000



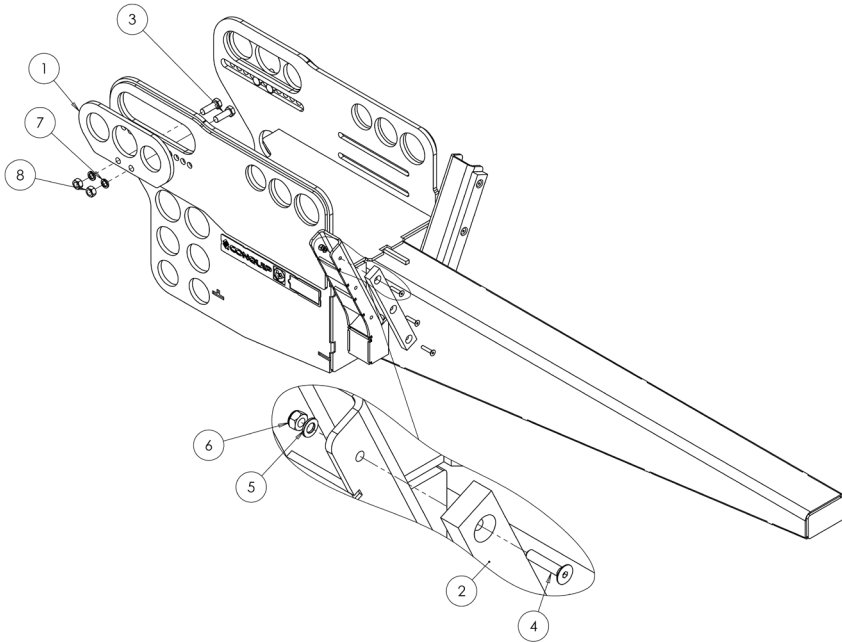
NOTE: These parts are for this model, they may differ for previous versions. Please contact Conquip with any queries.

Item Number	Part Number	Description	Quantity
1	EA012AF-06000-03	Adjuster Plate	2
2	ZZ990509	Rubber Buffer 400 x 50 x 24mm	2
3	M20 x 60 Hex Head Bolt	M20 x 60 Hex Head Bolt	4
4	NS800828	M10 x 50 Countersunk Bolt	6
5	M20 Full Nut	M20 Full Nut	4
6	NS800013	M10 Nyloc Nut	6
7	NS800262	M10 Washer	6
8	M20 Spring Washer	M20 Spring Washer	4
9	M20 Washer	M20 Washer	4

Product Information

Parts Diagram

Excavator Pipe Laying Hook 8500



NOTE: These parts are for this model, they may differ for previous versions. Please contact Conquip with any queries.

Item Number	Part Number	Description	Quantity
1	EA012AN-08500-03	Adjustment Plate	2
2	ZZ990509	Polyurethane Buffer	2
3	NS800406	M20x60 Hex Head Bolt 8.8 grade	4
4	NS800828	M10x50 socket countersunk head screw	6
5	NS800262	M10 Washer	6
6	NS800013	M10 Nyloc Nut	6
7	NS800249	M20 Spring Washer	4
8	NS800280	M20 Full Nut	4

Original Working Instructions

Usage Instructions

Important Usage Notes

- Ensure the work area is firm and level and clear of all obstructions with adequate room around the unit for the operator to work safely.
- Maximum load capacity of this piece of equipment is 4000kg, 6000kg, or 8500kg, depending on model. Do not exceed the maximum load.
- The lifting arm of the EA012AP-04000 is 1.8m in length and can lift pipes up to a maximum length of 2.5m.
- Be careful not to apply too much force when pushing pipe section together to avoid breakage of pipes.
- Check that the quick hitch is securely attached to the excavator arm following the manufacturers' instructions and giving special attention to any safety features.
- Only lift one pipe section at a time.

Set Up

1. Select the correct size pins for your machine's quick hitch.
2. Fit the front pin to the correct sized hole on the attachment.
3. Adjust position of the rear pin to suit the quick hitch - follow the quick hitch operating guidelines and set the pins to the maximum centres for the unit.
4. Ensure the quick hitch pins have the retaining bolts correctly fitted.
5. Check for debris in the quick hitch locking mechanism and check the fit of the unit on the quick hitch, do not use if not secure.
6. When moving pipes, operators should be aware that the pipes may roll and should a method prepared for securing the pipes.

Original Working Instructions

Usage Instructions

To Lift a Pipe

1. When it is safe to proceed, raise the pipe lifter until the tip is just below the crown of the pipe section, then fully insert the boom into the bore as straight as possible and slightly tilted back.
2. Lift the bar carefully and level it so that it fully contacts the crown.
3. Lift the pipe clear of the delivery vehicle or ground.
4. When travelling with a load, tilt the pipe lifter back by 10 to 20 degrees to secure the pipe on the hook, keep it in the lowest practicable position, to maintain driver visibility.
5. Operators should allow for any rough or sloping ground when assessing the method of operating.
6. Carefully lower the pipe onto the ground or storage location. Take care of edges or other items on hard ground. Use suitable measures to prevent the pipe from rolling.
7. When laying the pipe sections, manoeuvre into position and use the rubber buffers to push the pipe sections together.

Original Working Instructions

Safety Instructions

Basic Safety

A site-specific Risk Assessment, and lift plan where applicable, must be completed by the responsible person before using this equipment to control risks, produce a safe system of work and ensure safety for you, your colleagues and others. Your risk assessment will determine the correct Personal Protective Equipment (PPE) for the task you are doing. You must use it. Conquip recommends that you should wear:

- Suitable clothing
- Gloves
- Hard hat
- Protective footwear (steel toecaps)
- Safety glasses



Important Safety Notes

- Read these instructions before using this equipment. If there is anything you do not understand or if you have any concerns do not use this equipment. Contact your supervisor or Conquip Engineering Group for advice.
- You must check that you have considered all the safety requirements for the task you are doing and that this equipment is suitable.
- You must protect bystanders and the general public by preventing access to the working area.
- Do not use this equipment if you are tired, unwell or under the influence of alcohol or drugs. If you are taking any medicine or undergoing treatment you should inform your supervisor.

Usage & Transportation

- Never unevenly load this equipment.
- The weight of the equipment, together with its attachments, must be added to the weight of the load when calculating the total load that will be imposed on the lifting apparatus / operating machine.
- This equipment must be used in conjunction with the load ratings of the lifting apparatus / operating machine. (Refer to the manufacturers' load ratings and original working instructions).
- Make sure you know how to use this equipment and understand all aspects of its operation in case of emergency.
- This equipment weighs more than 25kg. Do not lift or manhandle without machine assistance.
- Do not operate this equipment near overhead power lines.
- Take care in confined spaces, near ceilings or similar hazards. This equipment was designed for vertical lifting. Do not drag, or swing.
- Before operating this equipment, check that you have enough space for you to work safely and make sure that the working area is clear of hazards, obstructions and personnel.
- Before lowering equipment make sure that the landing zone is clear and capable of accepting the size and weight of the load.
- Crush Risk. Keep hands and feet clear of the equipment at all times to avoid injury.
- Do not exceed the maximum Working Load Limit (WLL) shown on the serial plate. Ensure that the WLL on the individual lift points is not exceeded.
- Before lifting, check that the load is secured, balanced and stable. Allow space for the equipment to move if the load shifts.
- Manoeuvre loaded or raised equipment carefully. Travel and turn slowly to avoid unit becoming unstable.

Personnel

- All personnel must wear relevant personal protective equipment.
- Do not wear loose clothing or jewellery and tie back long hair to avoid becoming tangled or trapped in this equipment. You must make everyone in the work area aware of what you are doing.
- All personnel involved in the lifting operation must be competent to do so and must have been briefed in conjunction with this User Guide available from Conquip Engineering Group, the manufacturer.

Equipment Maintenance & Cleaning

- It is mandatory that the equipment is thoroughly examined regularly, by a qualified engineer, to ensure compliance with relevant regulation/s. (Conquip recommend to carry out thorough examination every six months).
- This product may incorporate various loose and detachable items of lifting gear. Refer to the separate requirements for the safe use of those items.
- When not being used, store the unit in a clean, upright condition and in a safe place where it will be protected from thieves and unauthorised users.
- This equipment must be inspected by the responsible person before each use and then regularly, as determined by your risk assessment or working practice. If you have any concerns about condition or suitability do not use.

Disclaimer

Warranty

The products supplied by Conquip Engineering Group are all guaranteed by a 12 month warranty.

Apart from where exceptions apply, Conquip Engineering Group promises to repair or replace any fault which the Company considers to be due to defective material or workmanship within 12 months of the date of sale, at no additional cost.

- Faults arising from unauthorised alterations (see modifications section below for full details).
- Damage caused by abuse, neglect, misuse or falling.
- Damage caused because of failure to follow transportation, storage, loading, cleaning or operating instructions.
- Replacement or repair of components due to fair wear and tear.
- Any consequential damage or wear arising from the use or fitting of additional or non-standard parts.

Modifications

If any third-party modifications or alterations, involving drilling, welding, cutting or distortion of materials in any form, are to be carried out on the product, Conquip Engineering Group must provide full written approval prior to the work being carried out.

Alterations, modifications, additions or repairs must be carried out by Conquip Engineering Group's recognised distributors, if they are not carrying out the work themselves.

Conquip Engineering Group operate a continuous improvement policy and therefore reserve the right to alter technical specifications and user guide details at any point without notice.

Conquip Engineering Group will not cover or reimburse any transportation and/or shipment costs to and from their premises or their recognised agents, or any material and/or labour costs for repair, replacement or assessment against a warranty claim.

Conquip Engineering Group and/or their directors, employees, insurers or recognised agents will not be held liable for consequential damages, losses or expenses relating to the inability to use the product correctly for its purpose.

Important Notes

- This User Guide is for this Conquip product only.
- Any movements of the product must be thoroughly planned before the work commences to identify potential hazards and assess risk.
- All personnel involved in lifting and transportation of this product must have read this User Guide and must be properly briefed.
- You must be competent, alert and medically fit when using this equipment. If you have a medical condition, a mental or physical disability, you must seek advice from a medical professional before using this equipment.

Talking to us is easy

We're here to help

Call us on (02) 8844 4590

Email us at sales@conquipgroup.com.au

www.conquipgroup.com.au