

Project Name:	
Door #:	
Acoustic Rw Rating:	
Panel Frame Type:	
Warranty:	

Product Overview:

- Centre Hung
- Manually Operated
- Maximum Height: 4000mm
- Maximum Width: Unlimited
- Maximum Panel Weight: 315kg
- Acoustic Rw Ratings: 36, 40, 44, 45

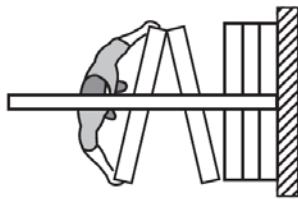
Centre Hung Operation:

Panels shall be top supported, manually operated and hinged in groups of two with each panel fitted with a single central point of suspension.

Panels shall be stacked in a centre stacking configuration at either end of the opening as nominated within the architectural drawings.

When closed the operable wall shall provide a complete sound retardant barrier.

No floor track shall be used.



Panels:

Panel Thickness:

- Standard Frame = 76mm
- Concealed Frame = 96mm

Maximum Panel Module Width: 1200mm

Full Height Access Door:

- Maximum Height = 3000mm
- Maximum Width = 1060mm

Panel Faces: To be replaceable in the field.

Acoustic Performance:

Acoustic performance shall be tested at either an independent Australian NATA or United States of America NVLAP accredited laboratory in accordance with their relevant testing standards.

Standard panel construction shall have obtained a Rw acoustic rating selected from the following,

- 36
- 40
- 44
- 45

Panel Frame Options:

Standard Frame (Fig 1.0):

- 10mm visible vertical trims
- 19mm visible horizontal trims
- Maximum face material thickness = 7mm (subject to Hufcor approval)

Note: Some selected face finishes may affect overall acoustic performance

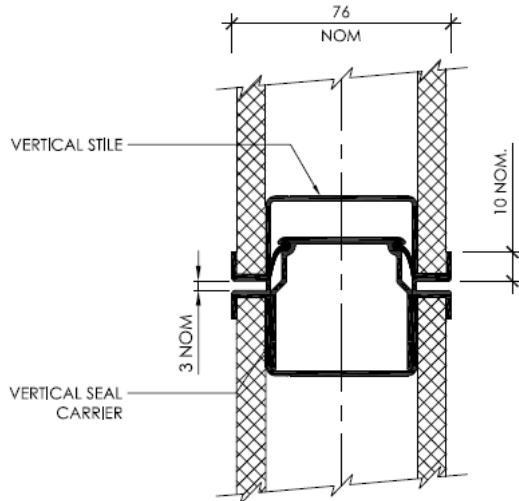


Fig 1.0

Concealed Frame (Fig 2.0):

- No visible trims
- Maximum face material thickness = 1mm (subject to Hufcor approval)

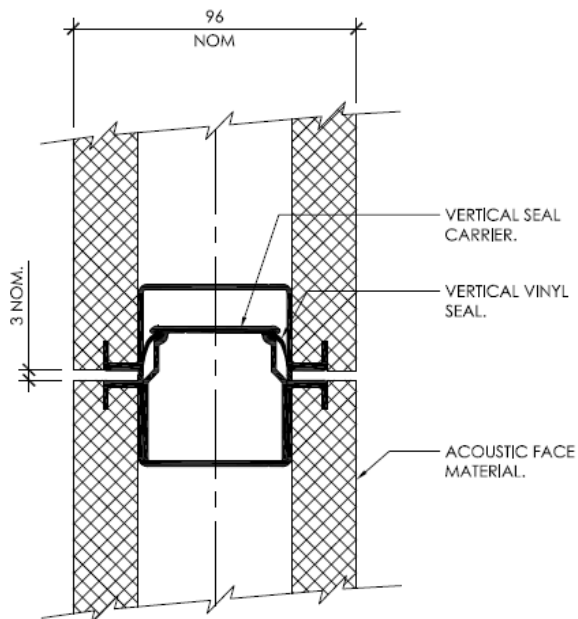


Fig 2.0

Tracking & Carrier System:

- Hufcor Type 5
 Aluminium extruded heavy duty centre tracking system supported from either a steel beam (Fig 3.0) or concrete soffit above.
 Each panel to be fitted with a 4-wheeled carrier complete with moulded polymer tyres and hardened steel bearings capable of supporting a 315kg panel weight.

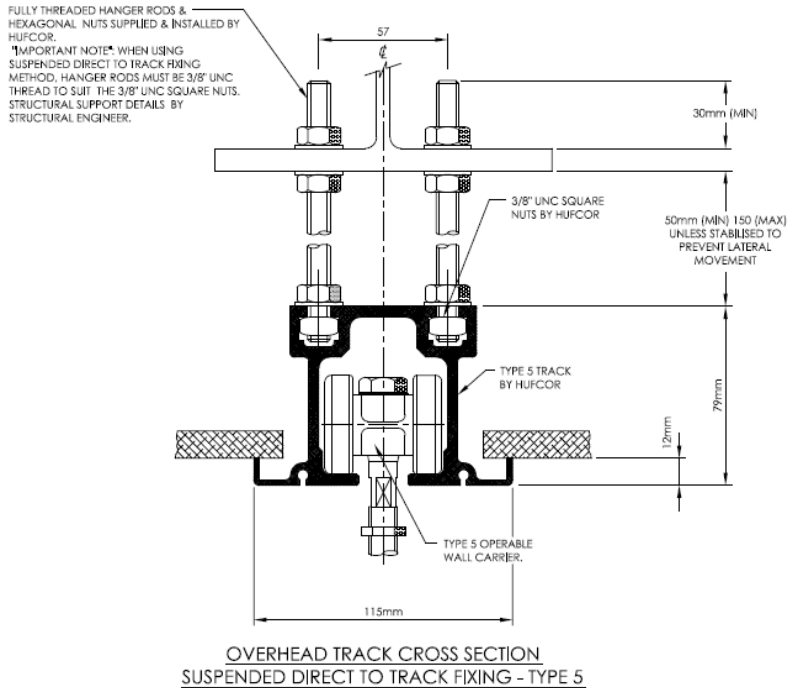


Fig. 3.0

Exposed Aluminium Finish Options:

- Clear Satin Natural Anodised (10 microns)
- Powder Coated (Standard Range: Dulux Duralloy) (70 microns)

Panel Face Finish:

Refer to Finishes Schedule

Final Closure Options:

Final acoustic closure of the operable wall shall be affected by either:

- Expanding Jamb
 A panel equipped with a mechanical expanding closure sleeve to create a seal force of 113kgs for optimum sound control.
- Full Height Access Door
 A full height access door panel that is permanently hinged to a wall mounted fixed adjustable jamb.

Jambs:

The end of the opening opposite the closure shall be fitted with either:

- **Fixed Adjustable Jamb**
A permanently attached two-piece extruded aluminium jamb with acoustic gaskets.
The jamb's projection from the fixed wall shall be adjustable in the range of 50mm to 70mm and it shall be capable of compensating for an out of plumb condition of +/- 10mm.
- **Bulb Seal**
An extruded ovoid hollow non-PVC thermoplastic seal.
The seal shall protrude 30mm beyond the end of the panel and shall be capable of compensating for minor variations in the wall surface which it abuts.

Acoustic Seals:

- **Vertical**
The leading vertical edge of each panel shall incorporate a tongue with two non-PVC thermoplastic gasket seals. These seals nest into the vertical recess in the edge of the adjoining panel creating a positive interlocking joint that provides stability, ease of panel alignment and acoustic seal.
- **Horizontal**
The top and bottom rail of each panel shall incorporate a seal type selected from the following relevant to the nominated acoustic rating as determined by Hufcor or specifically nominated by the Architect should the desired acoustic performance not be compromised.

Type:	Default Rw Rating:	Description:
0	36 / 40	Fixed dual sweep seals to both top and bottom rails.
1	44	Fixed dual sweep seals to the top rail, with mechanical retractable aluminium box section seal to the bottom rail.
2	45	Mechanical retractable aluminium box section seals to both top and bottom rails.

Note: The extruded mechanical retractable box section seals are manually operated and when activated provide a pressure seal exerting 27kgs of force.

Activation is by inserting a handle into a drive located within the trailing vertical panel stile and turning 170°.

All retractable seals in each hinged group shall be operated simultaneously.

Accessories & Options:

The following Accessories & Options can be incorporated into the operable wall panels during manufacture and are to be nominated within the projects documentation if required.

- **Working Surfaces**
Working surfaces such as the following shall be incorporated within the panel faces during manufacture.
 - Pinboard
 - Whiteboard
 - Magnetic Whiteboard
 - Glass Writing Boards
- **Chalk Pockets**
Flush mounted
- **Kick & Skirting Boards**
Flush mounted aluminium kick rails (150mm or 100mm) high shall be installed as detailed during manufacture.
- **Inset Access Doors**
Inset “L” or “A” Type Access Doors shall be factory installed and be identical in construction and finish to the adjacent panels and fitted with Hufcor (standard) hardware.
Note: Leg of access door panel must be adjustable to maintain ease of operation.
- **Glazed Viewing Window**
Viewing panel must be an Insulated Double-Glazed Unit (IGU).
The construction of the (IGU) must provide an acoustic rating in-line with the nominated rating of the operable to a maximum of Rw45.

Warranty:

Warranty to be selected from one of the following.

- **Non GECA Certified**
The doors / partitions shall be guaranteed against defects caused by faulty materials or workmanship for a period of one (1) year from the date of installation.
- **GECA Certified**
The doors / partitions shall be covered by a service and maintenance contract and guaranteed against defects caused by faulty materials or workmanship for a period of five (5) years from the date of installation.

Tolerances:

- The maximum permissible overhead structural deflection under load shall be 5mm.
- Floors shall be level in the path of the partitioning to a tolerance not exceeding ± 3 mm non-accumulative. The head contractor shall be responsible for rectification of floors outside this tolerance.
- The maximum variation of opening width shall be ± 10 mm.

Panel Weights:

Acoustic Rating:	Kg/m ² :
36	20 – 35
40	22 – 37
44	24 – 39
45	27 – 42

Note: The weight ranges provided above are an approximate guide only, please consult Hufcor for project specific panel weights.