

JIALIFT®



www.jialift.com.au

SL20GE

Full Electric Pallet Truck

- 2000kg Capacity, fork width - 685mm
- Easy to operate, power moving and lifting
- Safe, reliable, sustainable and low maintenance

CE

JIALIFT Full Electric Pallet Truck (2T/685mm)

This electric pallet jack has 2000 kg capacity, good for use on a large truck to move items or pallets. It's power moving and lifting. It offers a number of **advantages**:

- The innovative AC system offers strong power, accurate control, excellent performance.
- High strength vertical gearbox, longer working life.
- Hour meter and the battery indicator will remind the operator of charging.
- Safety belly button and tiller brake

Standard Equipment:

Also Included in our Offer: Battery and Charger

Warranty: 1 Year refer to the JIALIFT warranty terms and conditions



JIALIFT AUSTRALIA PTY LTD

Call Us: 1300 000 168 Email: sales@jialift.com.au

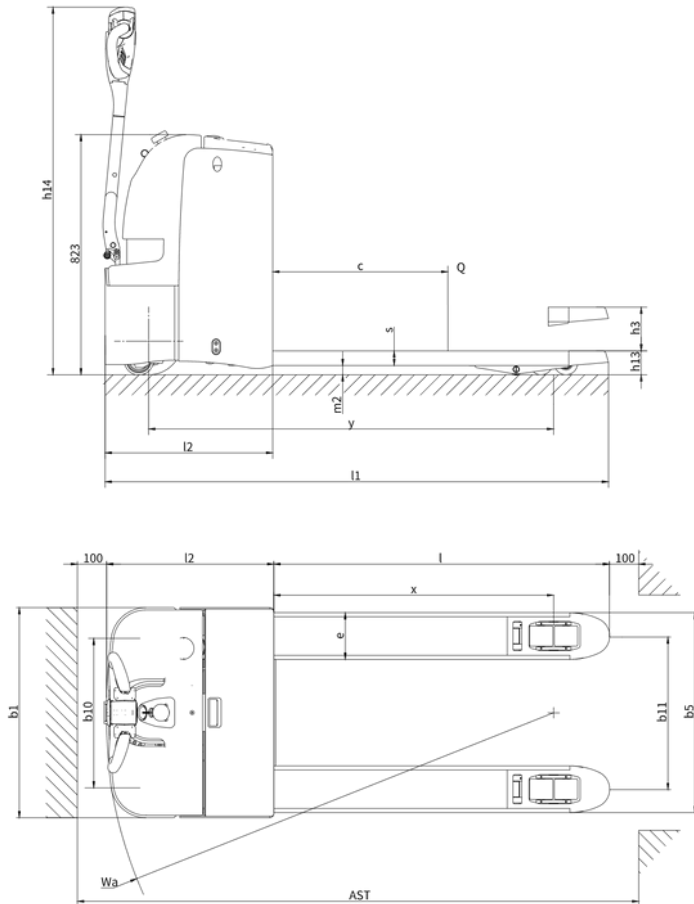
46-48 Geddes St, Mulgrave VIC 3170 Open at 8:30 am - 5:30 pm, Monday-Friday



www.jialift.com.au

JIALIFT®

MATERIAL HANDLING EQUIPMENT



JIALIFT AUSTRALIA PTY LTD

Call Us: 1300 000 168 Email: sales@jialift.com.au

46-48 Geddes St, Mulgrave VIC 3170 Open at 8:30 am - 5:30 pm, Monday-Friday

www.jialift.com.au

Distinguishing mark			
Model designation			SL20GE
Drive unit			Electrics
Operator type			Pedestrian
Rated capacity	Q	kg	2000
Load center distance	c	mm	600
Load distance centre of drive axle to fork	x	mm	962
Wheelbase	y	mm	1388
Weight			
Service weight (include battery)		kg	520
Types, Chassis			
Tyre type Driving wheels/Loading wheels			PU/PU
Tyre size, driving wheels (diameter x width)		mm	230x70
Tyre size, loading wheels (diameter x width)		mm	80x70
Tyre size, caster wheels (diameter x width)		mm	100x40
Wheels number, driving caster/loading (x=drive wheels)		mm	1x+2/4
Track width, rear, loading side	b11	mm	390/525
Dimensions			
Lift height	h3	mm	200
Height drawbar in driving position min./max	h14	mm	825/1278
Lowered height	h13	mm	85
Overall length	l1	mm	1742
Length to face of forks	l2	mm	592
Overall width	b1/b2	mm	700
Fork dimensions	s/e/l	mm	50/160/1150
Outside width of the forks	b5	mm	550/685
Ground clearance, center of wheelbase	m2	mm	35
Aisle width for pallets 1000 × 1200 crossways	Ast	mm	1944
Aisle width for pallets 800 × 1200 lengthways	Ast	mm	1994
Turning radius	Wa	mm	1556
Performance data			
Travel speed, laden/ unladen		km/ h	4.2/4.5
Lifting speed, laden/ unladen		mm/ s	21/27
Lowering speed, laden/ unladen		mm/ s	38/38
Max. gradeability, laden/unladen		%	8/15
Service brake type			Electromagnetic
Electric engine			
Drive motor rating		kW	1.3
Lift motor rating		kW	0.8
Battery voltage/nominal capacity		V/ Ah	24/210
Battery weight		kg	195
Addition data			
Type of drive unit			AC
Sound pressure level at the driver' s ear		dB(A)	68
Steering Type			Mechanical



JIALIFT AUSTRALIA PTY LTD

Call Us: 1300 000 168 Email: sales@jialift.com.au

46-48 Geddes St, Mulgrave VIC 3170 Open at 8:30 am - 5:30 pm, Monday-Friday

www.jialift.com.au