

# TMM3

## VFSS STRETCHER-CHAIR

TMM SERIES



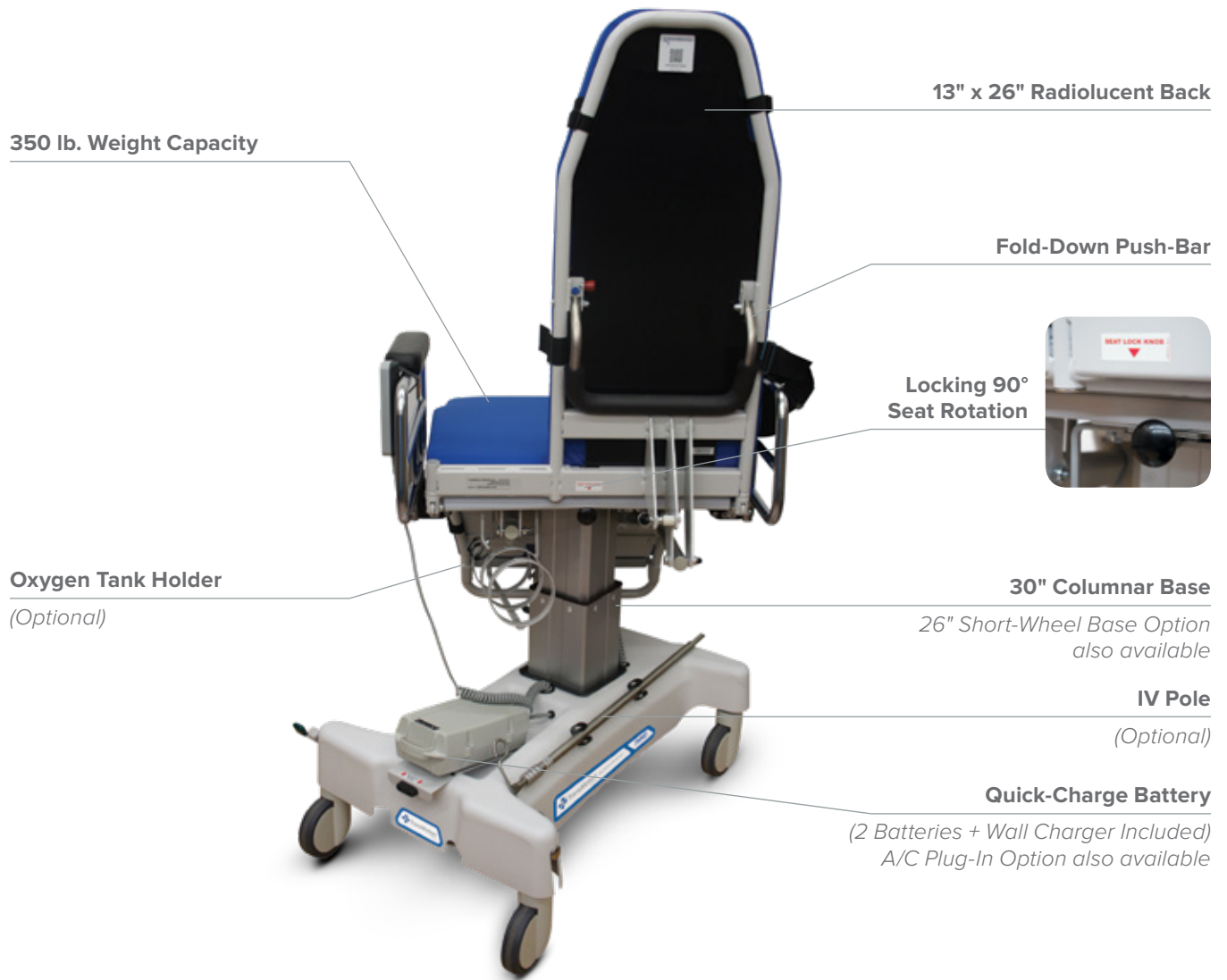
### Minimize Transfers, Maximize Safety

The TMM3 Video Fluoroscopy Swallow Study (VFSS) Stretcher-Chair features powered patient positioning designed specifically to perform Barium Swallow Studies. Its 90° rotating seat eliminates transfers by allowing patients to remain in-chair for both Lateral and A/P imaging. Powered back, leg and height adjustments eliminate hydraulic, pneumatic or manual positioning and allow for effortless conversion from chair to stretcher. The TMM3 is a procedure chair, transport device and stretcher all in one!

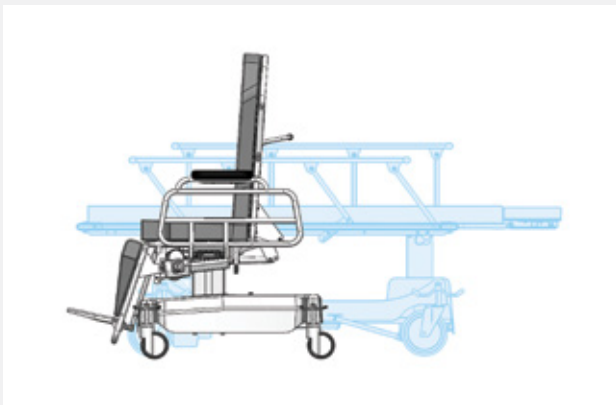
**ONE PATIENT, ONE SURFACE®**

 **TransMotion**  
by Winco

# ANATOMY OF A TMM3 STRETCHER-CHAIR



## SPACE-SAVING FOOTPRINT



In the seated position, the TMM3 requires half the space of a traditional stretcher and is easy to navigate through hallways, rooms, elevators and other close quarters. Its small footprint frees-up floor space so units can be available for patients as well as enabling more efficient storage.



# TMM3 STRETCHER-CHAIR

TMM SERIES

## Removable Back Extension

*(Optional)*

## 3 Patient Belts

*(Head, Torso & Leg Included)*

## Push-Button Pendant

## Swing & Tuck Side Rails



## Manual Quick Release Back

## Upholstered Memory Foam Cushions

*Available in Sure-Check® Fusion Fabric or Healthcare-Grade Vinyl*

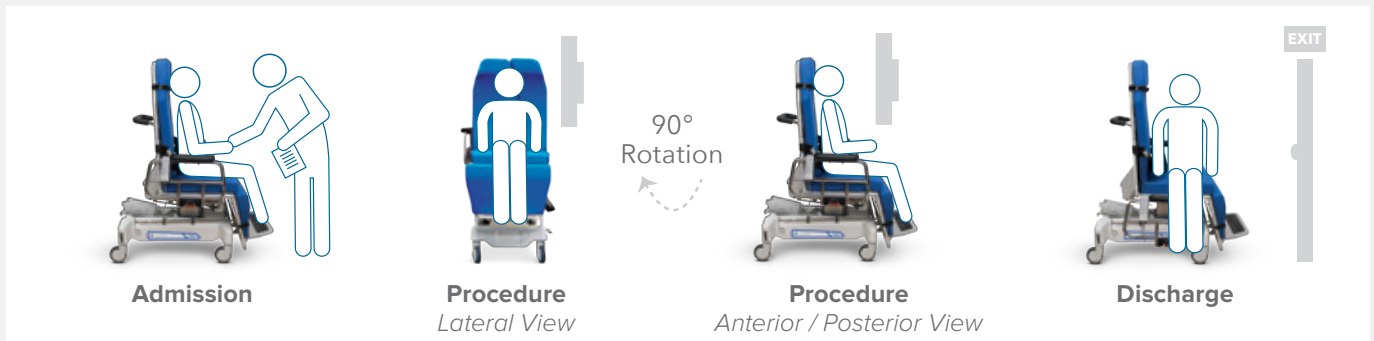
## Auto-Extending Footrest

*Manual Folding Footrest Option also available*

## Brake & Steer Caster System



## ONE PATIENT, ONE SURFACE® FROM ADMISSION TO DISCHARGE



Reducing patient transfers increases patient throughput while decreasing the likelihood of incurring costs associated with staff injury and worker's compensation claims.

## ALTERNATE CONFIGURATION OPTIONS



### Short (26") Wheel Base (S)

recommended for R/F towers with steel plates mounted to the floor



### Export Plug-In (E)



### A/C Plug-In (A)

120v / 60Hz A/C power with on-board charger & internal batteries

## SUGGESTED ACCESSORIES



### Back Extension

(TMA13-15)



### IV Pole

(TMA03-15)



### Oxygen Tank Holder

(TMA04-15)

## TRANSMOTION BY WINCO LIMITED WARRANTY



Optional Extended Limited Warranty also available.

Visit [WincoMfg.com](http://WincoMfg.com) for additional configuration and accessory options.

Cushions available in 5 Sure-Chek Fusion® fabric colors and over 20 healthcare grade vinyl options, visit our website or contact a representative to request swatches.



## CONTACT US

PH: (070 3390 7011

Email: [admin@hoylandmedical.com.au](mailto:admin@hoylandmedical.com.au)