

4/5 CNC SLOTTING MACHINE

AXIS CNC精密插床 四/五軸自動

X,Y,C,Z,(A) AXIS AUTO FEEDING



CNC-450
4 AXIS (X,Y,C,Z)



CNC-450S
5 AXIS (X,Y,C,Z,A)



Estar
Machine
Tools
Corp.

Powerful Dialogue Programming auto generator

功能強大簡單易學的對話式程式產生功能

Conversational programming function 對話式程式編輯功能：

1

The CNC controller offers a dialogue programming function to generate program. User just needs to enter necessary data into the conversational programming edit screen then press "Generate program" key, the processing program can be automatically generated.

本控制器提供簡易式的對話式程式，只要在螢幕畫面上輸入所需的數字資料後，按 "Generate Program" 程式產生按鍵即可自動產生程式。

Hand wheel (MPG) simulation function 手搖輪 (MPG) 模擬功能

2

Use hand wheel to simulate the newly generated program running path, It's easy to test run the program and avoid machine crash accident.

當新程式產生，您可使用手搖輪測試功能測試首次加工工件，避免機械碰撞意外。



Powerful slotting Canned cycle (Marco) 強大的插削專用巨集指令

3

Our powerful slotting canned cycles is the result of our 50 years experiences and research in design and development of CNC slotting processing. We offer the following software functions and application.

東星自行研發的插削巨集指令，解決了各種插鍵、插齒加工需求，此乃結合了多年來本公司在插床領域的經驗及各種 CNC 插削功能指令的研發，以下是本機所提供的各種功能：

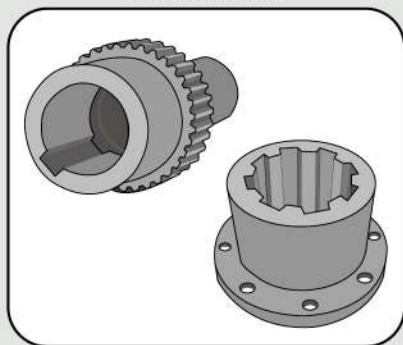


Estar
Machine
Tools
Corp.

Available slotting processing 插削功能：

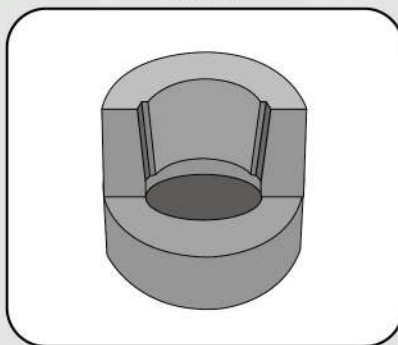
Keyway/Blind slots processing

鍵槽/盲鍵插削



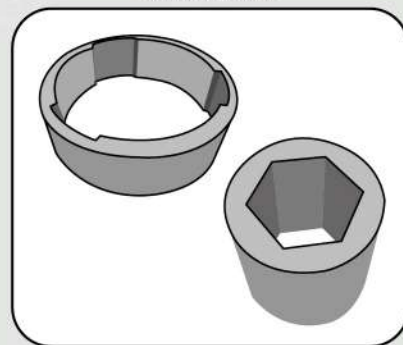
Conical keyway slotting

斜鍵加工



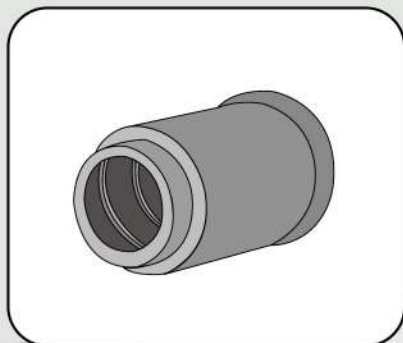
Special slotting process

特殊插削加工



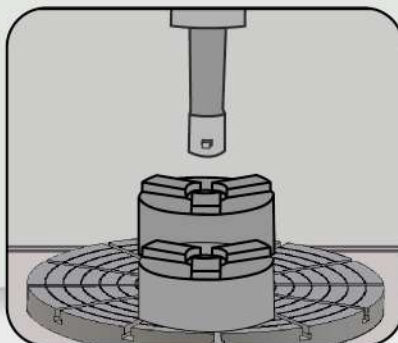
Helical slots processing

螺旋溝槽加工



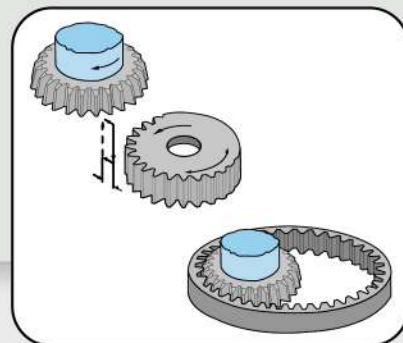
Double chucks processing

雙夾頭加工



Gear slotting process (Only for CNC-450S)

插齒加工 (僅適用CNC-450S機型)



● **Standard Accessories** 標準配件:

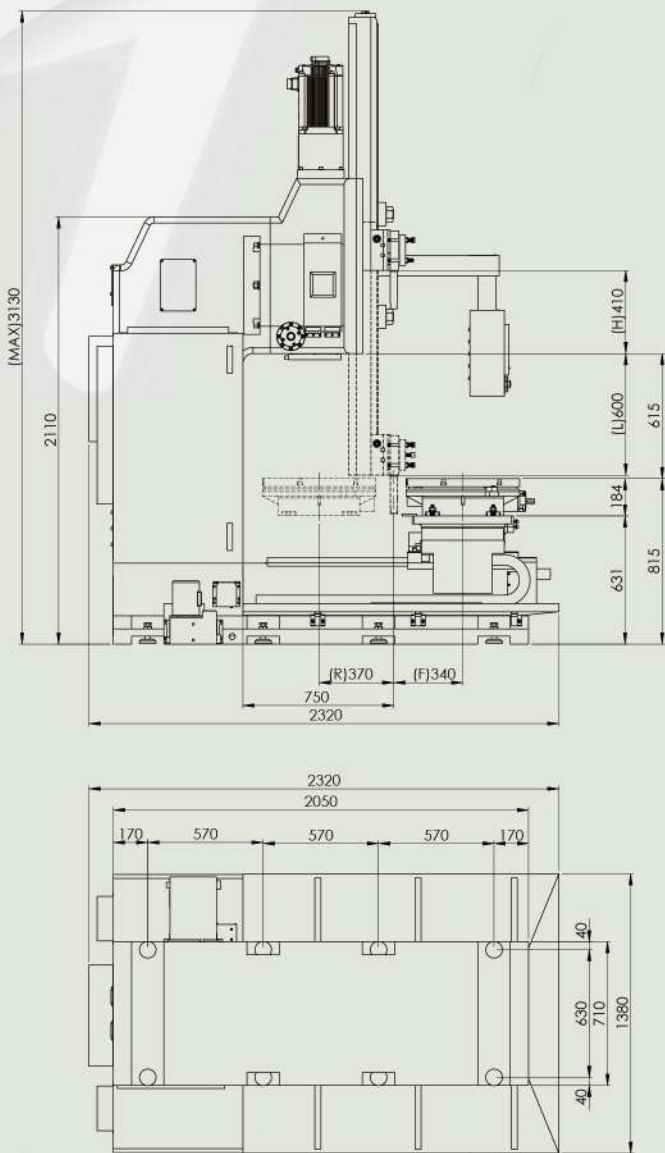
1. X,Y,Z axis C3 ballscrews X,Y,Z 軸 C3滾珠螺桿
2. X,Y axis slideway covers X,Y軸軌道防塵護套
3. X,Y axis ballscrews protection covers X,Y軸 滾珠螺桿保護管
4. Rotary Table 旋轉工作台
5. Coolant system 冷卻系統
6. Centralized automatic lubrication system 自動潤滑系統
7. Electric box heat exchanger 電控箱熱變換器
8. Portable MPG Handwheel 手搖輪
9. Halogen work light 石英工作燈
10. Alarm light 3色警示燈
11. Adjusting tools & box 工具箱

● **Optional Accessories** 選用配件:

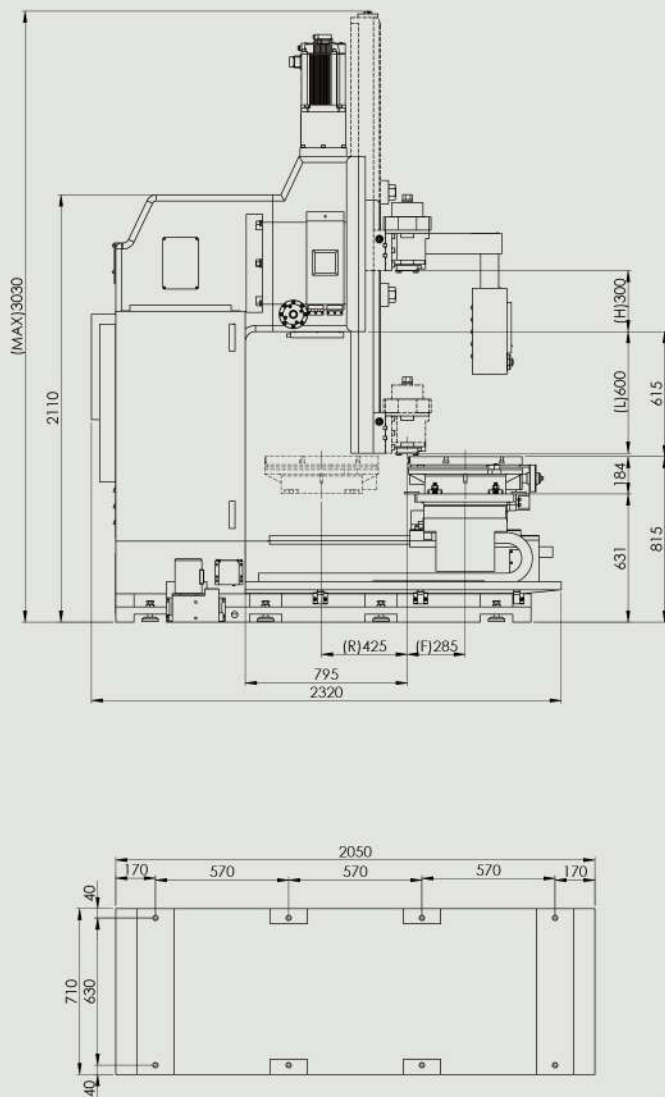
1. Transformer (except for 220V)
變壓器 (220V除外)
2. 3 jaws scroll chuck 三爪夾頭
3. Screw chip conveyor 螺旋排屑機
4. Slotting bar 刀桿
5. Clamping kits set 夾持套

unit = mm

Model : CNC-450



Model : CNC-450S



SPECIFICATION (MECHANISM) 機械規格表

單位: UNIT MM(INCH)

ITEM 項目	MODEL 型式	CNC-450	CNC-450S
Adjustable stroke of tool (stepless CNC controlled) 插削行程調整範圍		10~475(0.5"~18.7")	10~475(0.5"~18.7")
Adjustment distance of ram connector 衝頭連結座調整距離		550(21.7")	450(17.7")
Adjustable slotting linear speed 數控調整插削線速度		0~20000 (0~78.5")	0~20000 (0~78.5")
Swivel angle of ram (left/right) 插頭左右旋轉角度		± 30°	± 30°
Distance from end of ram guide to working table 插頭導路下端至工作台距離		585mm (23")	585(23")
Max distance between bottom of Ram guideway and Ram end surface upward(H)/downward(L) 衝頭底部從衝頭導路下端起算向上(H)/向下最大距離(L)		410/600 (16"/23.6")	300/600 (12"/23.6")
Distance from tool center to column 刀桿中心至機身面距離(喉深)		745(29.3")	795(31.5")
Travel between tool holder and table center forward(F) / backward (B) 工作台中心至刀桿中心前/後行程		340/370(13.3"/14.5")	285/425(11.2"/16.5")
Distance from working table to ground 工作台面距離地面高度		815(32")	815(32")
Diameter of working table 工作台直徑		Ø560 (Ø22")	Ø560 (Ø22")
Bore of Rotary Table 工作臺孔徑		Ø 105mm	Ø 105mm
Max. table Load 工作臺最大承重		650 kgs	650 kgs
Cross travel of working table (Y axis) 工作台前後移動距離 (Y軸)		710 (27.5")	710 (27.5")
Horizontal travel of working table (X axis) 工作台左右移動距離 (X軸)		500 (19.6")	500 (19.6")
Size of Tool holder 刀具尺寸		□60 (□ 2.36") / Ø65 (Ø2.6")	BT 50
Coolant pump motor 冷卻馬達		1/4 HP	1/4 HP
Net weight 淨重		3150 kgs	3150 kgs
Overall machine dimension L x W x H(maximum height) 機台尺寸 長x寬x高(最大高度)		2320x1400x3130 (91.5" x 65" x 100")	2320x1400x3130 (91.5" x 65" x 100")
Packing dimension 包裝尺寸		2500x1650x2540 (98.5" 65" x 100")	2500x1650x2540 (98.5" 65" x 100")

SPECIFICATION CNC CONTROL CNC 控制規格表

ITEM 項目	MODEL 型式	CNC-450	CNC-450S
X Axis AC servo motor X 軸伺服馬達		1.8kw	1.8kw
Y Axis AC servo motor Y 軸伺服馬達		1.8kw	1.8kw
Z Axis Ram drive AC servo motor Z 軸衝頭 AC 伺服馬達		11kw	11kw
C Axis AC servo motor 旋轉軸伺服馬達		2.0kw	2.0kw
Power tool spindle Ac servo Motor 動力插削主軸頭伺服馬達		--	1.8kw

※ All specifications and designs are subject to change without notice. 本公司對產品不斷研究改良，上述規格及設計如有變更，恕不另行通知。