

TMK 300

INTRODUCTION

BRACKETS ARE ON BOLT-ON EXTRA PLATES

Makes it possible to use the shear with multiple machines

EFFICIENT ATTACHMENTS

Easy to also retrofit

CAPSULAR STRUCTURE

Light & durable desing

12MM BLADE

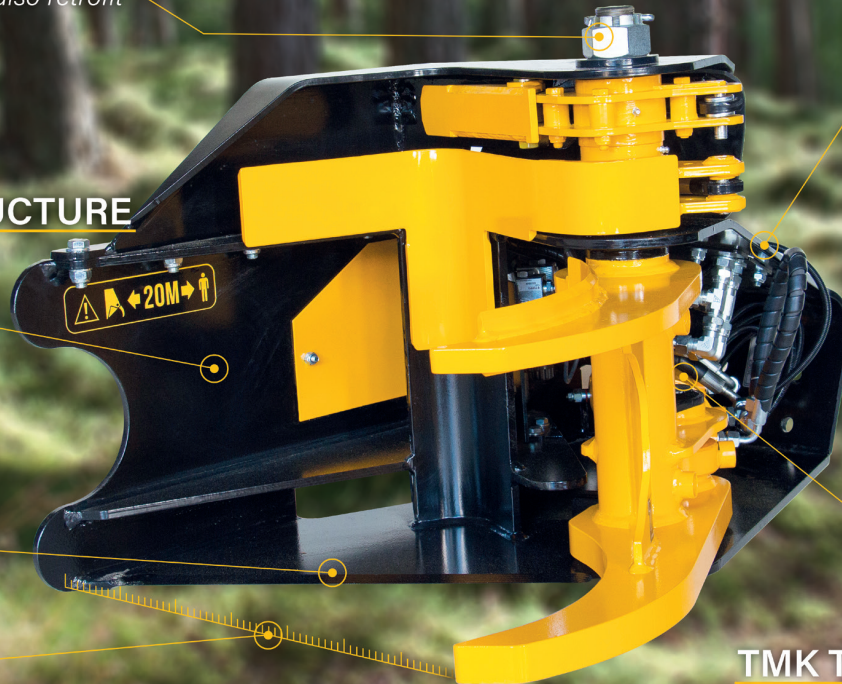
Hardox 500

MAX. OPENING

730mm

TMK TURBO

To maximize speed & strength



TMK 300

Authentic and original.

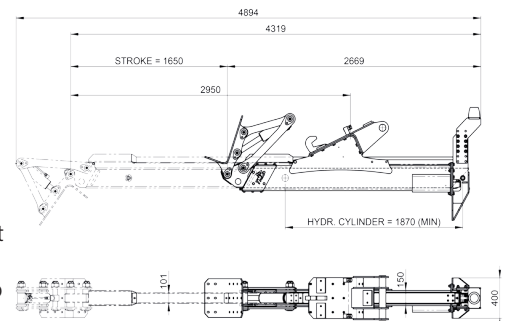
TMK 300 is the beginning of the TMK product family. TMK 300 has the widest attachment options of all TMK products, and that makes TMK 300 into one of the most versatile shears on the market. TMK 300 fits well to small scale users, thanks to its simple operating, and all the way to the professionals thanks to its high productivity. Product familys matriarch weighs only 295 kg, which makes it possible to use it even on a 5 ton excavator, but it also endures the stress from a 20 ton excavator. Thanks to the capsular structure and efficient blade, 300mm tree can be cut neatly. Shear can be used also in the bigger miniloaders and skid steers. Unlike the other models, TMK 300 can be equipped also with a delimber option. Recommended hydraulic pressure for TMK 300 is 220-280 Bars, depending on the chosen cylinder.



HYDRAULIC EXTENSION BEAM

Extra reach to work.

Hydraulic extension beam is a professionals choice. Attached to the quick hitch, the hydraulic extension produces the much needed extra reach to the professionals, without sacrificing the agility. Extension beam is about 2 meters long and extends another 1,6 meters. With hydraulic extension beam it's possible to get about 3,6 meters of extra reach, depending on the place of the bracket. Using the extension is simple and going back to excavation jobs is fast and easy. In the designing process of the beam we have kept in mind the needed features at forest thinnings and clearances, and the machine fits to turn even in the tightest of places with the extension on. The heel of the extension is strengthened and can be used to help the excavator to move in challenging places.



COLLECTOR

Together in a bunch.

TMK 300 can be equipped with a collector, which increases the productivity of the shear significantly. Collector works automatically with the shears open-close motion all the way to the point where the bunch is dropped. When the shear is closed, the collector opens up to the other side of the trees, and when the shear is opened again, the collector first grabs the trees firmly in its grip. This way the trees stay all the time firmly in hand. Only when the bunch is dropped one electric line is needed to let the bunch go from the grip. Collectors simple operation enables fast and comfortable working. Thanks to its high productivity, the collector is TMKs most popular attachment worldwide.

NEW! Collector is now available also without electricity! Ask more from your local dealer, or directly from TMK.

DELIMBER

Last touch with delimiting.

Delimiting gives the last touch to the tree clearing as well as the TMK 300 attachment package. TMK has the first easily controllable delimiting on the market without expensive feeding systems. Delimiting is smooth thanks to the diamond shaped delimiting hole. This shape gives the shear a little room to tilt before snapping the tree with the blade. This way is ensured a fast and smooth motion, when the delimiting is fast and more importantly easy. In the nordic countries the delimiting is really common attachment because of the demand of stripped trees. Delimiting is also possible to use without electricity, and delimiting is also easy to retrofit.



TMK 300 ATTACHMENTS



SOLID EXTENSION BEAM

When you need to go the extra meter!

TMK 300 can be equipped with solid extension beam. If it doesn't suit the job at hand the bolt attached plates enables the beam to be taken off easily. Extension is a good fit especially with delimeter, as it makes the motion faster and smoother thanks to longer reach. Solid extension was designed to work with tiltrotators to ensure that the sensitive hoses doesn't get damaged in the bushes, but kept in a safe distance from the branches and minimize the damages.

LINKAGE

Trees stacked with style.

TMKs Linkage brings more speed and versatility to TMK Tree Shears use. Linkage was originally designed to speed up the working with hydraulic extension beam, but now it enables the shear to be used in machines that doesn't have a feature to tilt the shear up and down. Now we can offer a solution to use the shear with tractor cranes and harvesters. Linkage tilts 165 degrees, which ensures wide movements and small enough cylinder keep the motion fast. Linkage is attached to the shear with bolts, so it can be taken off quickly and used again on a different machine when needed.

NEW! In cooperation with Palfinger we made a linkage that is fits directly to all EPSOLUTION series cranes! Ask more from your local dealer, or directly from TMK.



CYLINDER OPTIONS

TMK 300 can be equipped with different cylinder options.

1. Normal main cylinder, recommended pressure 280 Bars.
2. Bigger main cylinder, recommended pressure 220 Bars.
3. TMK Turbo is patented telescopic cylinder, where the smaller cylinder works always first, keeping the motion fast. When the smaller cylinder runs out of power, the bigger cylinder starts working automatically. This way we get really fast motion without sacrificing the strength at all. TMK Turbos' recommended pressure is 220 Bars. TMK Turbo and bigger main cylinder are excellent choices when working with tilt rotators, when the reduced pressure doesn't affect the maximum cutting capability. TMK Turbo grows your work efficiency up to 15%!

TMK 300

Cylinder
features

	Normal main cylinder	Bigger main cylinder	TMK Turbo cylinder
Max. pressure	280 Bar	220 Bar	220 Bar
Recommended pressure	280 Bar	220 Bar	220 Bar
Liters/min	80-150 l/min	100-150 l/min	50-150 l/min

	Normal main cylinder	Bigger main cylinder	TMK Turbo cylinder
Max. pressure	280 Bar	220 Bar	220 Bar
Recommended pressure	280 Bar	220 Bar	220 Bar
Liters/min	80-150 l/min	100-150 l/min	50-150 l/min

