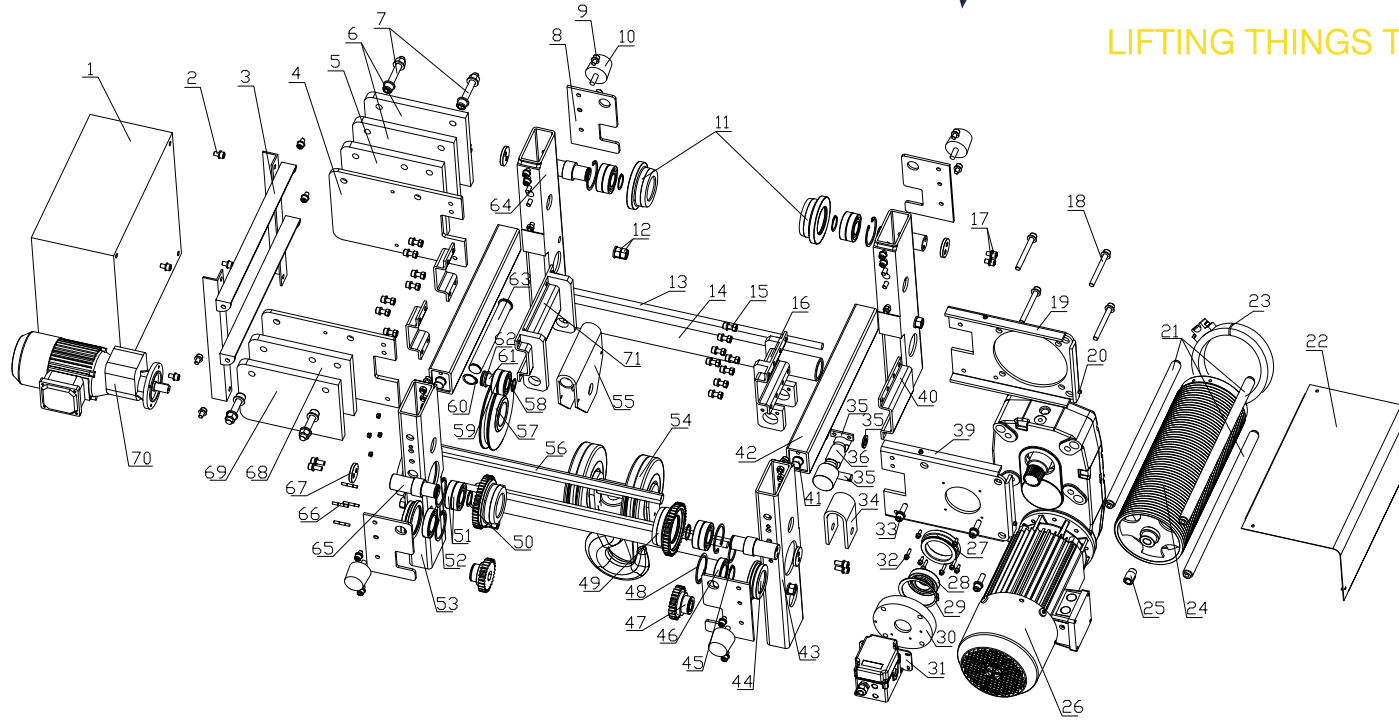


AUSTWIDE CRANES

LIFTING THINGS TO A NEW LEVEL



5 Tonne Wire Rope Hoist

Serial Number	Part Name	Amount	Serial Number	Part Name	Amount	Serial Number	Part Name	Amount	Serial Number	Part Name	Amount
1	Electrical box assembly	1	21	Connecting rod	3	41	Beam positioning pin	4	61	Sliding shaft	1
2	Hexagon socket bolt	8	22	Drum cover plate	1	42	The beam	2	62	Pulley casing	1
3	Install Angle iron assembly in electric box	1	23	Rope guide	1	43	Main girder-2	1	63	Pulley suspension shaft	1
4	Electric box beam connection plate	2	24	drum	1	44	Main beam bearing pedestal	2	64	FuLiang assembly	2
5	Counter weight-1	1	25	Coupon pipe connection	1	45	Shaft card	2	65	Run the shaft	4
6	Counter weight-2	2	26	Lifting motor	1	46	bearing	2	66	stud	4
7	Hexagon socket bolt	4	27	Roll bearing sleeve	1	47	Transmission gear	1	67	clamp	4
8	Anti-collision piece of mounting plate	4	28	bearing	1	48	Hole card	2	68	Counter weight-3	1
9	Hexagon socket bolt	28	29	Shaft card	1	49	Running wheel with teeth	2	69	Counter weight-4	1
10	Collision block	4	30	Limit switch panel	1	50	Shaft card	4	70	Run the motor	1
11	Running round	2	31	Limit switch	1	51	bearing	8	71	Pulley retaining plate-2	1
12	Nut M16	12	32	Hexagon socket bolt	10	52	Hole card	4			
13	Positioning screw	2	33	Hexagon socket bolt	3	53	Main girder-1	1			
14	Shaft sleeve	2	34	Cope wedge hanger plate	1	54	Lower hook assembly	1			
15	Hexagon socket bolt	16	35	Cope wedge suspension shaft	1	55	Pulley suspension plate	1			
16	Rope wedge fixed plate-2	1	36	Overload limiter	1	56	Run the drive shaft	1			
17	Hexagon socket bolt	8	37	Retaining rings on both sides of rope wedge	2	57	The pulley	1			
18	Hexagon socket bolt	4	38	Overload limiter CARDS	1	58	Shaft card	1			
19	Jane mounting plate-2	1	39	Drum mounting plate-1	1	59	bearing	2			
20	Hexagon socket bolt	4	40	Made wedge fixed plate-1	4	60	Shaft card	1			

5 Ton Wire Rope Hoist