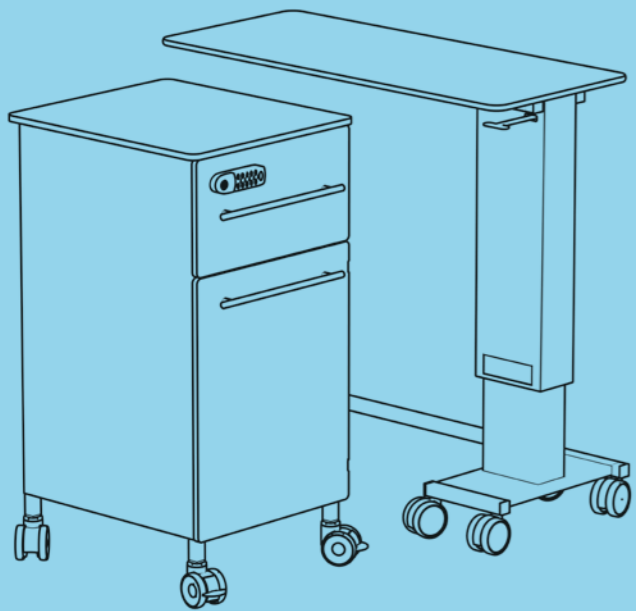


THE BEDSIDE RANGE



*Models shown: FV1/160/Trespa®/FV1/300/Overbed Table.



The Freeway Bedside Range. For the provider *and* the patient.

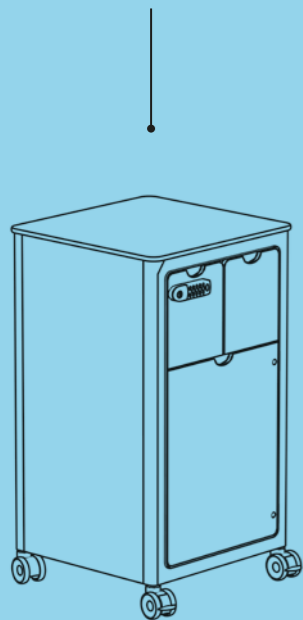
The Freeway Bedside Range features an array of lockers to suit both hospital budget and patient functionality.

Whilst MFC laminate-clad models offer cost efficiency, the Trespa® variants offer great durability. Both offer the option to easily replace panels if accidental damage occurs.

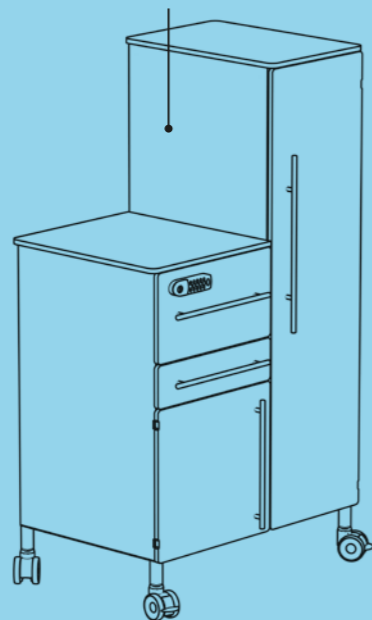
As always with Freeway products, the choice of 8 paint colours comes as standard!

[Explore our Bedside range >](#)

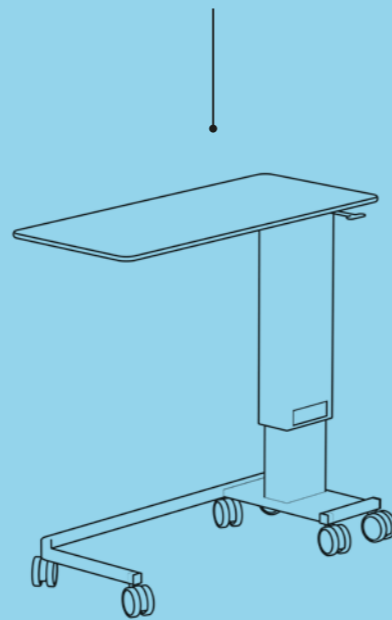
BEDSIDE LOCKER
LOW LEVEL



BEDSIDE LOCKER
HIGH LEVEL



BEDSIDE TABLE
OVERBED

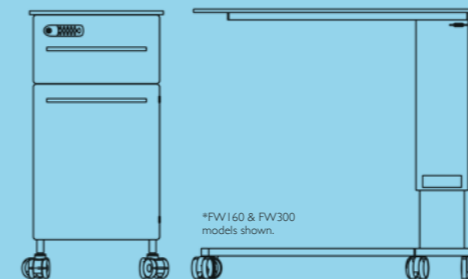


What is included on the base models?

The bedside range is a comprehensive collection of durable and maintainable units. Included on your base model is your choice of model (low level, high level or overbed) and your choice of colour from 8 bright and bold varieties.

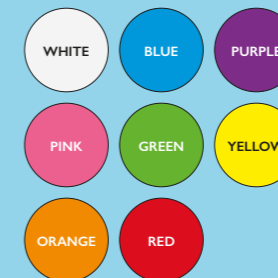
Amongst the Bedside Locker offering, several products have choices of 2 different cladding materials, 18mm MFC Laminate and ultra-durable 10mm Trespa®. Take your pick for what suits you best.

1. CHOOSE YOUR MODEL TYPE
(low/high level or overbed)

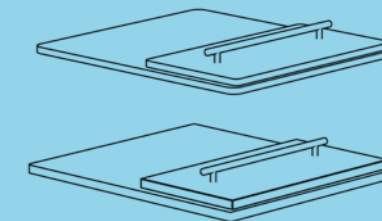


*FW160 & FW300 models shown.

1. CHOOSE YOUR COLOUR
(8 options available)



2. CHOOSE YOUR CLADDING TYPE
(where applicable)



WHY BUY FREEWAY? BECAUSE ALL

THESE FEATURES ARE STANDARD!



Custom Colour Choice

Every Bedside Locker in the range can be painted in one of 8 colours available, brightening the ward and making it like home for your patients.



Modular Construction

Cleverly designed and built, the panel-clad lockers can be dismantled and rebuilt without the need for tools or an engineer!



Ultra Heavy-Duty Castors

Featuring a triple ball-race bearing set, our castors and rubberised tyres are built to last and ensure effortless manoeuvring of a full Bedside Locker.



Keyless Digital Lock

Our Bedside Lockers feature at least one secure compartment which uses a keyless digital locking system for patients to store their more valuable belongings.



Vast Bedside Range Choice

With a vast range of ready-to-use bedside products to choose from, we've got you covered. Just pick the model that fulfils your needs and a paint colour to complement your ward and let us, at Freeway Medical, do the rest.

BEDSIDE LOCKERS - 160 MODEL / MFC LAMINATE CLAD

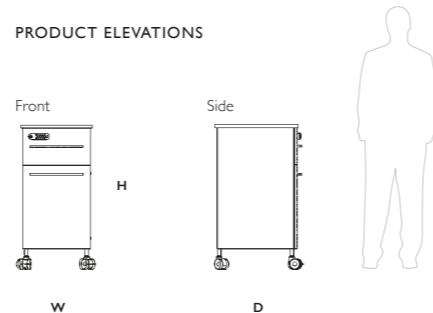


PRODUCT CODE
FWI60-LAMINATE Bedside Locker

The 160 Bedside Locker offers a lockable drawer to safely store a patient's belongings and is clad in a cost-efficient laminate surface.

DIMENSIONS
Height = 920mm Width = 500mm Depth = 480mm

PRODUCT ELEVATIONS



FRAME/SURROUND COLOURS *(included in price)*



Blue Purple Pink Orange Yellow Green White

BEDSIDE LOCKERS - 160 MODEL / TRESPA® CLAD

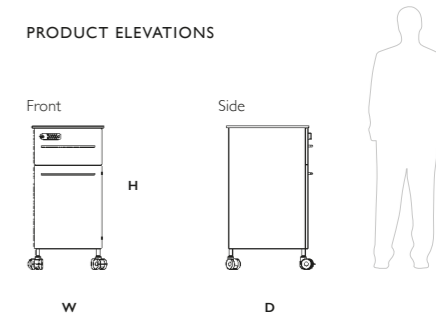


PRODUCT CODE
FWI60-TRESPA Bedside Locker

Trespa® cladding on this single drawer and single compartment bedside locker guarantees durability and robustness to withstand ward wear and tear.

DIMENSIONS
Height = 920mm Width = 500mm Depth = 480mm

PRODUCT ELEVATIONS



MFC LAMINATE SURFACES



(p.nnn)

KEYLESS DIGITAL LOCK *(included in price)*

Keyless everyday operation with master key for maintenance or forgotten codes.



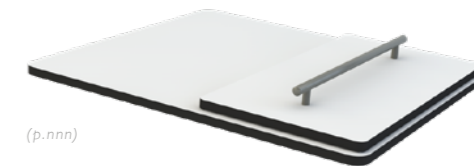
(p.eee)

MODULAR CONSTRUCTION



All key components can be easily cleaned, removed and replaced tool-free!

ULTRA DURABLE TRESPA® SURFACES



(p.nnn)

BEDSIDE LOCKERS - 165 MODEL / MFC LAMINATE CLAD



PATIENT'S
SECURE
DRAWER

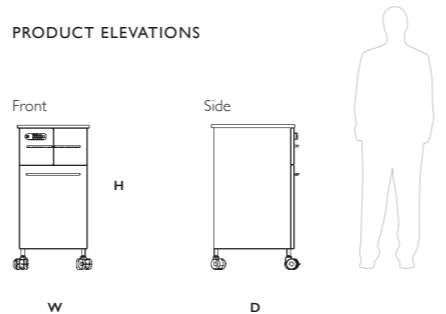
18MM MFC
LAMINATE
SURFACES
This model only

PRODUCT CODE
FWI65-LAMINATE Bedside Locker

Brighten hospital wards with your pick from 8 colours – bold blue, striking pink or even crisp white. The choice is yours and makes all the difference in lifting the mood.

DIMENSIONS
Height = 920mm Width = 500mm Depth = 480mm

PRODUCT ELEVATIONS



FRAME/SURROUND COLOURS *(included in price)*



BEDSIDE LOCKERS - 165 MODEL / TRESPA® CLAD



10MM
TRESPA®
SURFACES
This model only

ONE-PIECE
METAL
SURROUND

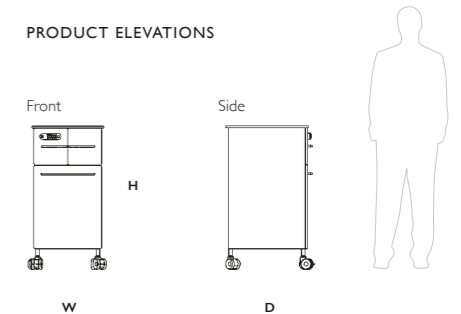
*Basket shown is for demonstrational purposes only and is not included.

PRODUCT CODE
FWI65-TRESPA Bedside Locker

Our Bedside Lockers are designed in a modular construction with a main one-piece metal surround, for ease when dismantling or to enable a thorough deep clean.

DIMENSIONS
Height = 920mm Width = 500mm Depth = 480mm

PRODUCT ELEVATIONS



MFC LAMINATE SURFACES



(p.nnn)

KEYLESS DIGITAL LOCK *(included in price)*

Keyless everyday operation with master key for maintenance or forgotten codes.



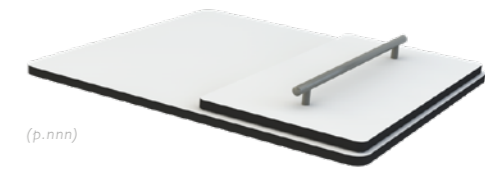
(p.eee)

MODULAR CONSTRUCTION



All key components can be easily cleaned, removed and replaced tool-free!

ULTRA DURABLE TRESPA® SURFACES



(p.nnn)

BEDSIDE LOCKERS - 170 MODEL / MFC LAMINATE CLAD

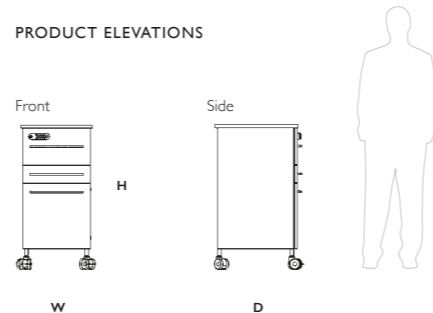


PRODUCT CODE
FW170-LAMINATE Bedside Locker

Multiple variations of designs give you the choice to pick what you think would be most suited for your ward patients, like this model with two drawers and a compartment.

DIMENSIONS
Height = 920mm Width = 500mm Depth = 480mm

PRODUCT ELEVATIONS



FRAME/SURROUND COLOURS *(included in price)*



Blue Purple Pink Orange Yellow Green White

BEDSIDE LOCKERS - 170 MODEL / TRESPA® CLAD

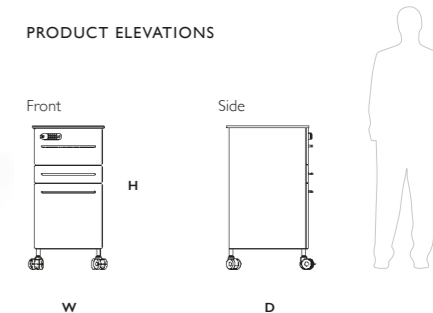


PRODUCT CODE
FW170-TRESPA Bedside Locker

Heavy-duty castors, included on all our bedside range, allow for effortless manoeuvring of these bedside lockers to rearrange or move in emergencies with ease.

DIMENSIONS
Height = 920mm Width = 500mm Depth = 480mm

PRODUCT ELEVATIONS



MFC LAMINATE SURFACES



(p.nnn)

KEYLESS DIGITAL LOCK *(included in price)*

Keyless everyday operation with master key for maintenance or forgotten codes.



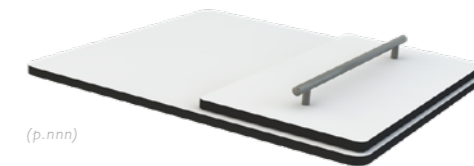
(p.eee)

MODULAR CONSTRUCTION



All key components can be easily cleaned, removed and replaced tool-free!

ULTRA DURABLE TRESPA® SURFACES



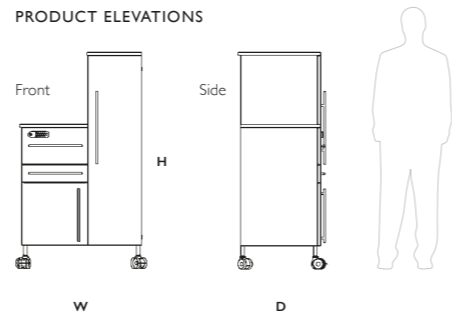
(p.nnn)



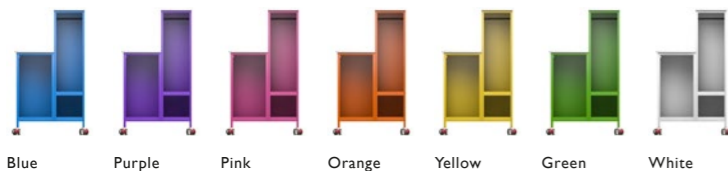
PRODUCT CODE
FW180A-LAMINATE Bedside Locker Wardrobe

Each one of our bedside range models has at least one lockable patient drawer for valuable with a keyless digital lock with programmable codes so your patient can have peace of mind.

DIMENSIONS
Height = 1350mm Width = 780mm Depth = 480mm



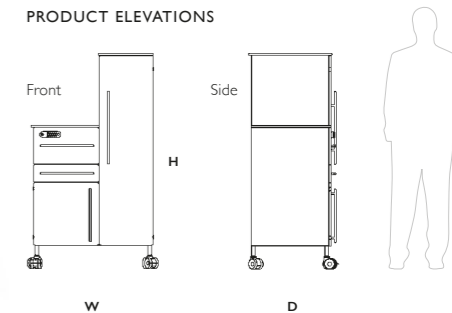
FRAME/SURROUND COLOURS (included in price)



PRODUCT CODE
FW180A-TRESPA Bedside Locker Wardrobe

180A Trespa® Bedside Locker has vast amounts of storage space, with compartments ideal as a wardrobe, for shoes, for personal belongings and more.

DIMENSIONS
Height = 1350mm Width = 780mm Depth = 480mm



MFC LAMINATE SURFACES



KEYLESS DIGITAL LOCK (included in price)

Keyless everyday operation with master key for maintenance or forgotten codes.

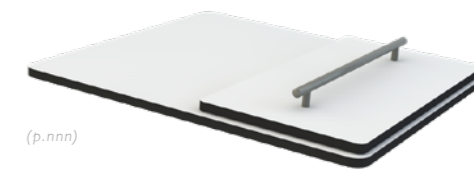


MODULAR CONSTRUCTION



All key components can be easily cleaned, removed and replaced tool-free!

ULTRA DURABLE TRESPA® SURFACES



BEDSIDE LOCKERS - 180B MODEL (MIRRORED) / MFC LAMINATE CLAD

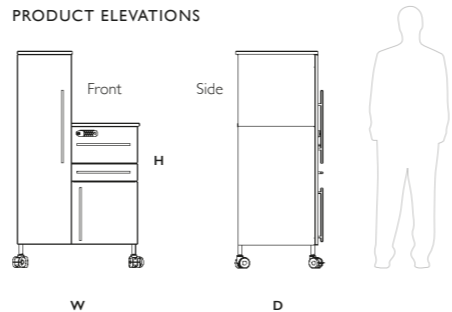


PRODUCT CODE
FW180B-LAMINATE Bedside Locker Wardrobe

The economical laminate cladding on the front of Bedside Lockers is a great way to make budget go further without sacrificing equipment quality.

DIMENSIONS
Height = 1350mm Width = 780mm Depth = 480mm

PRODUCT ELEVATIONS



FRAME/SURROUND COLOURS (included in price)



BEDSIDE LOCKERS - 180B MODEL (MIRRORED) / TRESPA® CLAD

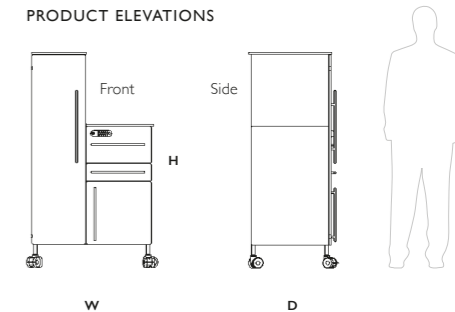


PRODUCT CODE
FW180B-TRESPA Bedside Locker Wardrobe

The ultra durable Trespa® cladding offers the ultimate longevity of a unit even on larger Bedside Lockers such as the Trespa® 180 series.

DIMENSIONS
Height = 1350mm Width = 780mm Depth = 480mm

PRODUCT ELEVATIONS



KEYLESS DIGITAL LOCK (included in price)

Keyless everyday operation with master key for maintenance or forgotten codes.

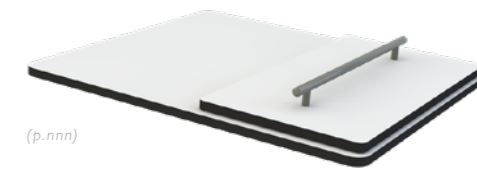


MODULAR CONSTRUCTION



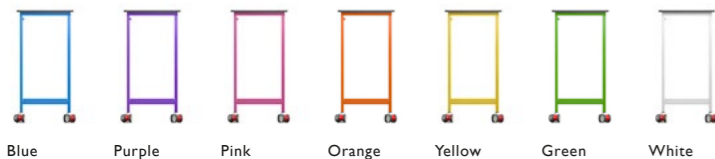
All key components can be easily cleaned, removed and replaced tool-free!

ULTRA DURABLE TRESPA® SURFACES





FRAME/SHELF COLOURS *(included in price)*

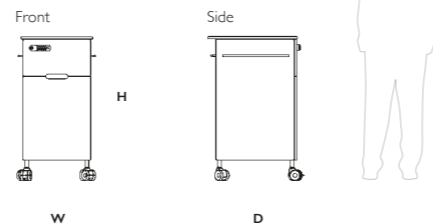


PRODUCT CODE
FW260 Bedside Locker for Life

The Locker for Life is exactly how it sounds; a long-term, cost-effective solution. We are proud to introduce such a model; engineered with precision in terms of the most durable materials used and simple modular deconstruction, for the easy replacement of damaged panels.

DIMENSIONS
Height = 920mm Width = 500mm Depth = 480mm

PRODUCT ELEVATIONS



KEYLESS DIGITAL LOCK *(included in price)*

Keyless everyday operation with master key for maintenance or forgotten codes.



(p.eee)

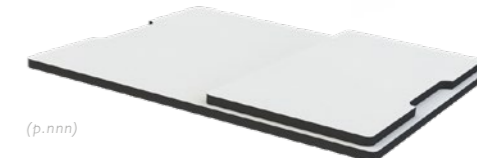


1 REPLACEABLE PARTS
Step 1: Remove the easy-to-use and tool-less thumb screws.

2 Step 2: Simply unhook the parts and lift away.

3 Step 3: Clean thoroughly or replace necessary parts for longevity of your Locker for Life.

ULTRA DURABLE TRESPA® SURFACES



(p.nnn)

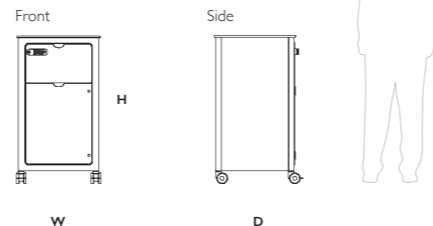


PRODUCT CODE
FW460 Bedside Locker Single Drawer
(Hybrid Steel/Trespa®)

The 460/465 series have been built for durability and long-term and demanding use. A hybrid of ultra-solid Trespa® panels and a steel chassis are used to strengthen your Bedside Locker, so it lasts longer.

DIMENSIONS
Height = 1000mm Width = 490mm Depth = 490mm

PRODUCT ELEVATIONS



CHASSIS COLOURS (included in price)



Blue Purple Pink Orange Yellow Green White

KEYLESS DIGITAL LOCK (included in price)

Keyless everyday operation with master key for maintenance or forgotten codes.



(p.eee)



DEEP EASY TO CLEAN DRAWERS

The 460 series Bedside Locker features a high-sided, high capacity drawer construction, incorporating large radius bottom corners which naturally resist trapping dirt and grime.



ULTRA DURABLE TRESPA® PANELS IN HIGH WEAR ZONES

The 460/465 series lockers feature ultra durable Trespa® panels in all the main high-wear zones extending the product life cycle!



ULTRA DURABLE TRESPA® SURFACES



(p.nnn)

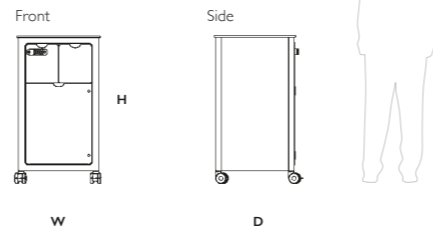


PRODUCT CODE
FW465 Bedside Locker Split Drawer
(Hybrid Steel/Trespa®)

The 465 Bedside Locker has vertical split drawers to allow the patient to organise their belongings more effectively for an easier stay – the little things make a big difference.

DIMENSIONS
Height = 1000mm Width = 490mm Depth = 490mm

PRODUCT ELEVATIONS



CHASSIS COLOURS (included in price)



DEEP EASY TO CLEAN DRAWERS

The 465 series Bedside Locker features a high-sided split drawer construction incorporating large radius bottom corners which naturally resist trapping dirt and grime.



KEYLESS DIGITAL LOCK (included in price)

Keyless everyday operation with master key for maintenance or forgotten codes.

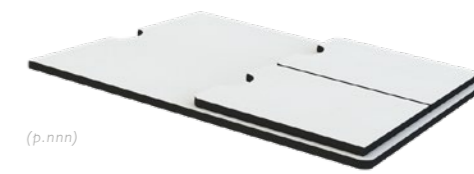


ULTRA DURABLE TRESPA® PANELS IN HIGH WEAR ZONES

The 460/465 series lockers feature ultra durable Trespa® panels in all the main high-wear zones extending the product life cycle!



ULTRA DURABLE TRESPA® SURFACES



BEDSIDE OVERBED TABLE - STEEL CHASSIS - TRESPA® WORKTOP



INTEGRAL FOOTSPACE

Compared with straight-leg overbed tables, our unit features a single wraparound support leg to enable the table to be easily used with chairs as well beds.

PRODUCT CODE

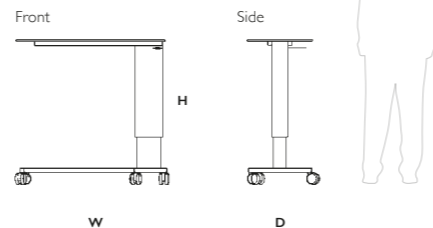
FW300 Bedside Overbed Table (white only)

The Bedside Overbed Table has been carefully designed to maximise product-life with durable TRESPA® worktops, whilst considering comfort and practicality for the patient, with a height adjustable column.

DIMENSIONS

Height = 720-1100mm Width = 920mm Depth = 420mm

PRODUCT ELEVATIONS



ULTRA DURABLE TRESPA® WORKTOP



(p.nnn)

BEDSIDE OVERBED TABLE - OPTIONAL COLOURED BUMPER



OPTIONAL BUMPER COLOURS (available separately)



Blue Purple Pink Orange Yellow Green

PRODUCT CODE

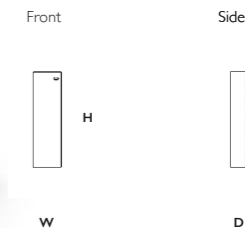
FW301 Bedside Overbed Table Bump Cover (6 colour options)

Add a splash of colour from 6 choices to liven up the ward as well as some extra product protection with an optional coloured bumper.

DIMENSIONS

Height = xxxmm Width = xxxmm Depth = xxxmm

PRODUCT ELEVATIONS



ADJUSTABLE HEIGHT RANGE OF 380MM

