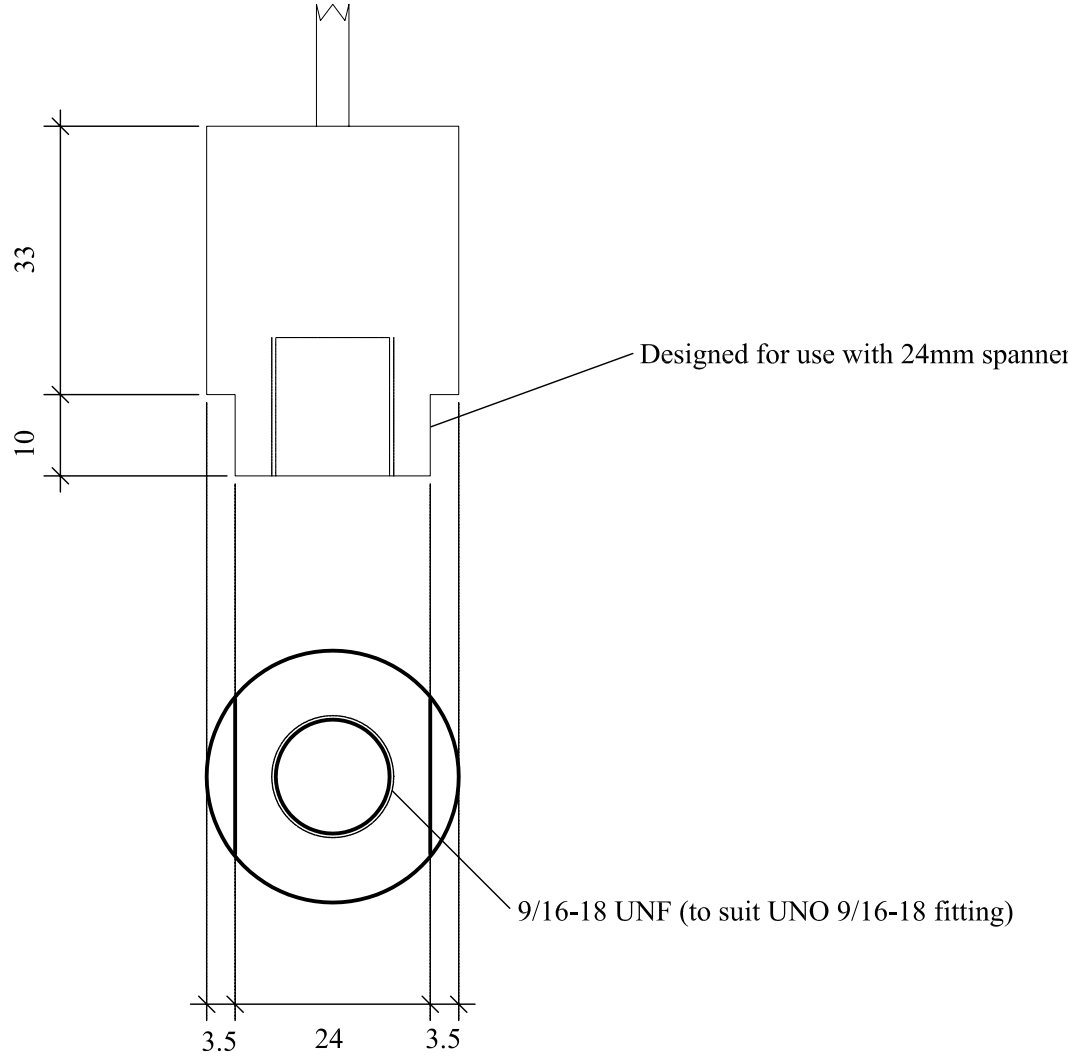


Kelba Pressure Transducer Model: KPT-10000



General Specifications

Rated pressure: 10,000 psi
 Seal rupture: > 20,000 psi
 Construction: 17-4 PH Stainless Steel
 Cell weight: 0.2 kg
 Operating temp range: -10 to 60 deg C
 Excitation voltage: 5 - 15 V.D.C.
 Rated output: 2mv/V +/- 0.5%
 Accuracy: +/- 0.3%
 (linearity, hysteresis, repeatability)
 Thermal effect:
 on zero: 0.015% FS/deg C
 on span: 0.015% /deg C
 Cable length: 2000mm
 Input impedance: 400 ohm +/- 5%
 (black to red)
 Output impedance: 350ohm +/- 0.2%
 (green to white)

Environmental: IP67
 Rating

* NOTE: Classified by Londonderry Occupational Safety Centre as a "Simple Device" and therefore suitable for hazardous and explosive dust environments subject to installation in compliance with the relevant Australian Standards.

Wiring colour code

Excitation + Red
 Excitation - Black
 Signal + Green
 Signal - White
 Shield Bare

Kelba (Australia) Pty Ltd					
Reference		KPT-10000 PRESSURE TRANSDUCER			
Date	17-11-99				
Drawn					
Approved		Drg No.	KPT-10000-1	Rev	0
Scale	NTS			Date	20-5-04