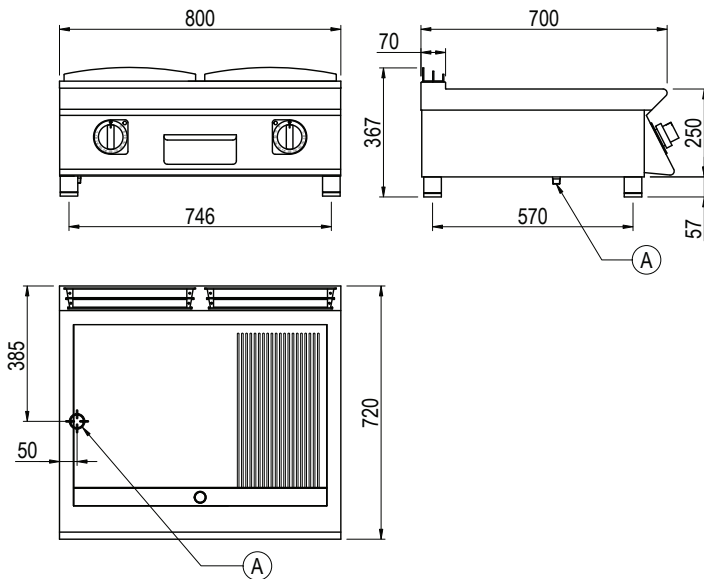




**Product Information:**

- Class leading, European style, professional quality and reliability since 1963
- 700 series, electric frytop with 2/3 smooth and 1/3 ribbed 15mm satin chrome plate (13kW)
- Satin chrome plate delivers a cost effective, highly durable, faster heating and easier cleaning solution than alternative plates
- Heating elements with HI-limit temperature protection
- Temperature regulation via thermostat (50°C – 300°C)
- Indicator lights to monitor the correct operation of the appliance
- Robust 304 grade stainless steel construction with rounded corners for improved cleaning
- Hermetically sealed, pressed work surface with raised edges to protect from overflow
- Removable grease tray
- 24-month warranty

**General Drawing:**



**Specifications:**

Model	FME741TCRXT
W x D x H (mm)	800 x 720 x 367
Weight	80kg
Cooktop (mm)	720 x 460
Packed Dimensions (mm)	845 x 825 x 570
Packed Weight (mm)	90kg
Electrical Connection	3Ø + N + E 415VAC / 50Hz / 13kW

**Legend:**

A Electrical Connection

