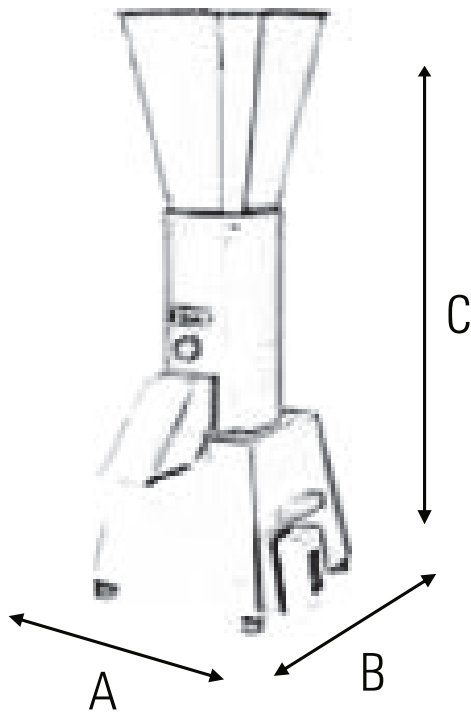


## GENERAL FEATURES

- Designed for making bread crumbs.
- 304 Q Stainless Steel Body.
- Three Kilograms capacity hopper.
- Produced Thin or Thick sieve if needed.
- One year warranty against defect of manufacturing and assembly.

OPTIONAL : Mono phase (230 VOLT) motor available .

## TECHNICAL FEATURES



AxBxC (mm)  
420x500x1080



WEIGHT



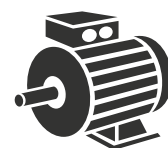
39 kg

CAPACITY



60 kg/HOUR

POWER



1,75 kW / 380 V