



L20 Series

Diesel Drive

Max. Capacity
2000/2500/3000/3300kg



Invented the Industrial Truck in 1917
First to manufacture 1 million units





BUILT TO LAST[®]



Singapore



Bucheon, Korea



Lexington, Kentucky,
USA



Hai Duong, Vietnam



Qingdao, Shangdon Province,
China



San Jose, Costa Rica



Campinas City, Sao Paulo,
Brazil



Duisburg, Germany



Hornsby, New South Wales
Australia



Lyon, France

A Global Company

In 1917 CLARK invented the world's first industrial truck and has since then gone on to manufacture over 1 million units across the globe.

With over 100 years of manufacturing experience, a focus on engineering for reliability and a dedication to safety, you can count on every CLARK forklift being

BUILT TO LAST



The L20 Series adds a cost-effective forklift high on value and strong on performance to the CLARK range which covers powered pallet jacks to electric reach trucks, through to container access forklifts and robust counterbalance forklifts up to 8 ton.

L20 Series



- Simple Maintenance
- Intuitive Design and Operation
- Cost Effective Solution
- High Strength Proven Upright
- CLARK Built to Last Engineering



Nominal capacity:
2000kg - 3300kg



Lift height:
max. 7315 mm



Power:
Diesel



Engine Power:
36.8 kW

L20 Series Features

Modern Design

The modern design, bold colours and sleek lines of the L20 Series will represent your business in the best light.



LED Lights

LED front lights optimise illuminated field of vision for safer operation.



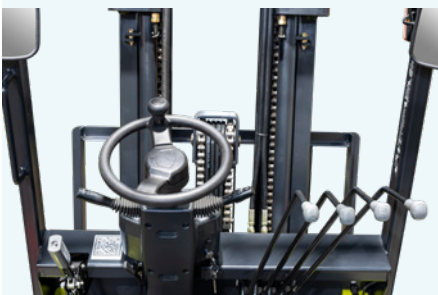
Large Landing Step with Steel Grip

The driver accesses the ergonomically designed compartment via a large, low, perforated non-slip metal step.



Small Steering Wheel

Reduces operator fatigue, makes steering easy and maximises space in driver's compartment.



Ample Foot Space

Operators can comfortably enter and exit the forklift with ease. Thick moulded floor mat reduces vibration and noise level.



Leading Head Clearance

Spacious operators compartment with good head clearance for added comfort and safety. It easily accommodates up to 95% of the world's adult population.



CLARK Suspension Seat

The L20 Series offers an ergonomic designed cushion seat adjustable to the operators weight as an option for added comfort.



Easy to View Dashboard

A simple, streamlined dashboard makes the L20 Series easy to operate and to stay on top of performance through intuitive indicator lights and dials.



Proven XinChai Engine

A common engine used across the world. Have confidence in reliability, high serviceability and easy to access parts of this engine.



L20 Series Features

Fast Lift and Lowering Speeds

Improve efficiency in day to day operation to get more out of every shift. Hydraulic cushioning reduces shock during lift and lowering.



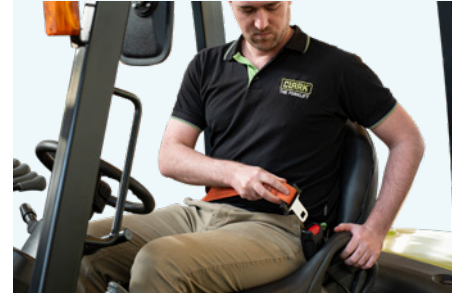
Good Mast Visibility

Proven nested upright rails provide positive rail interlock and a narrow 'column' to maximise the vision window.



Smart Interlock

Available as an option to increase safety. The forklift will only operate if the operator engages the seat belt.



Easy Access Fuse Box

Servicing is simple with easy access to the fuse box and other key components of the engine.



ISO Valve System

Hydraulic function disengages when the operator leaves the seat. This features improves safety for your operators.



Easy Sourced Components

The simple design of the L20 Series makes parts easy to replace, improving uptime and serviceability.



Over 100 Years of Engineering Experience

The L20 Series builds on over 100 years of manufacturing and design experience, putting you in safe hands with CLARK.



L20 Series Benefits

Simple Maintenance and Parts

- The XinChai engine with simple technology makes the L20 Series easy to service.
- No computer diagnostic systems required.
- An absence of elaborate electronic functionality improves reliability.
- Easily sourced components makes replacing parts easy and improves serviceability.
- Cowl Q-Code for easy scan to reference manuals from your mobile phone (do not operate the vehicle whilst using your phone)

Intuitive Design and Operation

- The L20 Series is designed for intuitive operation with easy reach cowl mounted hand brake and levers.
- A simple, streamlined dashboard makes the L20 Series easy to operate and to stay on top of performance through intuitive indicator lights and dials. With its front and centre location an operator can check their dashboard without distracting from safe operation.
- The CLARK L20 Series boasts modern aesthetics and a high level of ergonomics with ample operator foot and head space.

Cost Effective Solution

- The CLARK L20 Series is packed with value which continues to provide cost benefits throughout the life of the forklift.
- Boasts a proven XinChai engine, parts are cost effective and well supported across the world.
- Other key components are simple and easy to source including common parts with the extensive range of CLARK Forklifts.
- Computer based diagnostic tools are not required, lowering the cost of maintaining your forklift.



L20 Series Benefits



Proven High Strength Nested Upright

- With over 100 years of forklift design and manufacturing experience, CLARK knows what goes into a fork truck. The mast is one of the most important components of your forklift.
- The L20 Series utilises the same proven I-Beam mast technology used across the CLARK range.
- Designed to be stronger than conventional flat-faced rails.
- Better resistance of side-to-side deflection with stiffer rail section.
- Promotes longer life and improved stability with elevated loads.

Ergonomics are Optimised

- The L20 Series maximises operator comfort and easily accommodates up to 95% of the world's adult population.
- Large operator space and footwells mean the operator can easily access and exit the forklift.
- Comfort suspension seat for a smoother ride for the operator (optional).
- Well positioned cowl mounted hand brake and a small steering wheel reduce effort in operation, minimising fatigue.

No Compromise on Safety

- Every CLARK Forklift is engineered with safety in mind. This is continued with the L20 Series.
- Low cowl position for better visibility through the mast.
- LED front lights for optimum illuminated field of vision.
- Distraction free dashboard provides simple reading at a glance.
- ISO valve system to enhance safety when operating.
- Large step for accessing the forklift.
- Low centre of gravity for stability.
- Cowl Q-Code for easy scan to reference manuals from your mobile phone (do not operate the vehicle whilst using your phone).
- Gas spring with automatic lock to prevent accidental closure of the hood.

L20 Series Specifications

		Manufacture (Abbreviation)		CLARK	CLARK
Specifications	1	Manufacture's designation	-	L20D	L25D
	2	Load capacity / rated load	kg	2,000	2,500
	3	Engine	-	XinChai	XinChai
	4	Load centre distance	mm	500	500
	5	Fuel	-	DIESEL	DIESEL
	6	Operator type stand on / driver seated	-	SEATED	SEATED
	7	Tire type, P=pneumatic, SE-superelastic, C=cushion 1)	-	PNEUMATIC	PNEUMATIC
	8	Wheels, number front/rear (x=drive wheels)	-	2x/2	2x/2
Dimensions	9	Lift height 2)	mm	3195	3195
	10	Freelift	mm	110	110
	11	Fork carriage ISO 2328, A, B	-	CLASS II	CLASS II
	12	Fork dimensions	mm	45x100x1070	45x100x1070
	13	Fork carriage width	mm	1041	1041
	14	Tilt of upright/fork carriage, α / β	deg.	10/6	10/6
	15	Overall length to face of forks	mm	2593	2666
	16	Width (single/wide/dual)	mm	1177/1271/1683	1177 /1271/1683
	17	Height, upright lowered	mm	2165	2165
	18	Height, upright extended	mm	4414	4414
	19	Height over head guard	mm	2170	2170
	20	Turning radius	mm	2290	2380
	21	Load centre distance, centre of drive axle to fork face	mm	470	470
	22	Stacking aisle for pallets 1000 x 1200 crossways	mm	3945	4035
	23	Stacking aisle for pallets 800 x 1200 lengthways	mm	4145	4235
Performance	24	Travel speed laden	km/h	16.1	15.9
	25	Travel speed unladen	km/h	18.1	18.1
	26	Lift speed laden	m/sec	0.51	0.51
	27	Lift speed unladen	m/sec	0.55	0.55
	28	Lowering speed laden	m/sec	0.54	0.54
	29	Lowering speed unladen	m/sec	0.50	0.50
	30	Max. drawbar pull laden 3) 4)	kg	2120	2131
	31	Max. drawbar pull unladen 3) 4)	kg	702	686
	32	Max. gradeability laden 4)	%	21.5%	19.0%
	33	Max. gradeability unladen 4)	%	43.3%	36.7%
Weight	34	Service weight	kg	3340	3680
	35	Axle loading, laden front	kg	4628	5407
	36	Axle loading, laden rear	kg	712	773
	37	Axle loading, unladen front	kg	1430	1410
	38	Axle loading, unladen rear	kg	1910	2270
Tyres, Chassis	39	Wheels, number front/rear	-	2/2	2/2
	40	Tire size, front	-	7.00X12-14PR	7.00X12-14PR
	41	Tire size, rear	-	6.00X9-10PR	6.00X9-10PR
	42	Wheelbase	mm	1620	1620
	43	Tread, front	mm	999	999
	44	Tread, rear	mm	910	910
	45	Ground clearance center of wheelbase	mm	155	155
	46	Ground clearance minimum, unladen	mm	135	135
	47	Service brake	-	FOOT/Dry-Drum	FOOT/Dry-Drum
	48	Parking brake	-	HAND	HAND
Drive line	49	Battery	V/AH	12V/80AH	12V/80AH
	50	Engine power	kW/rpm	36.8/2500	36.8/2500
	51	Engine torque	Nm/rpm	159/1800	159/1800
	52	Cylinder quantity	-	4	4
	53	Displacement	cc	2672	2672
	54	Fuel tank volume	L	52	52
	55	Fuel consumption	L/H	3.41	3.45
	56	Transmission type	-	Automatic	Automatic
	57	Hydraulic pressure for attachments	bar	140	140
	58	Sound level, driver's ear 5)	dB (A)	87	87

*1) Optional with super elastic tyres *2) Further lift heights available *3) 1.6km/h *4) With load at friction coefficient $\mu = 0,6$ *5) Equivalent permanent sound-pressure level L pAeq,T in accordance with EN 12053

All values shown are for standard lift truck with standard equipment. If the truck is supplied with options, values may change. All values given may vary +5% and -10% due the motor and system tolerances and represent nominal values obtained under typical operating conditions.

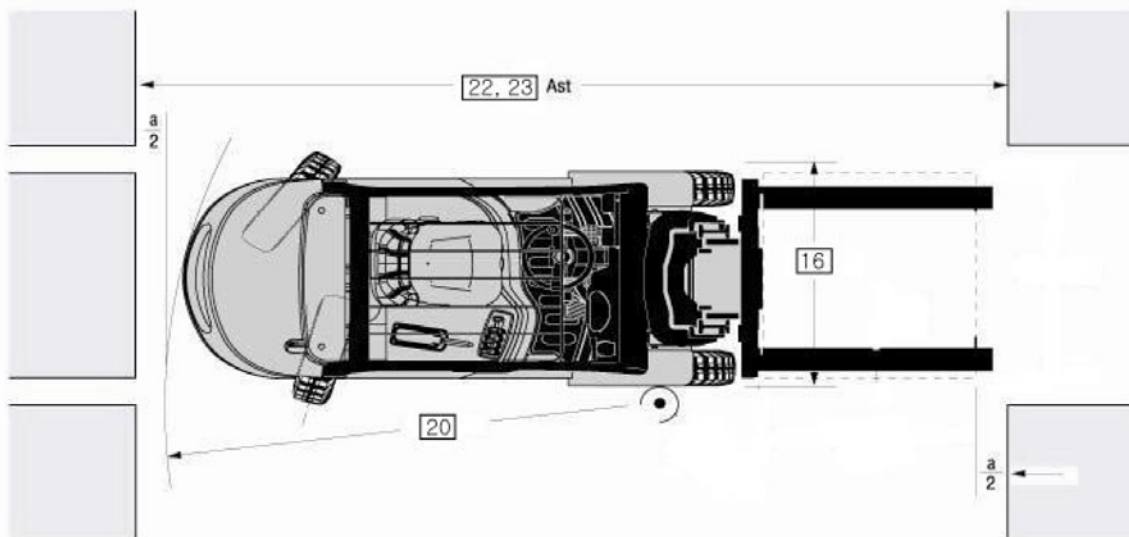
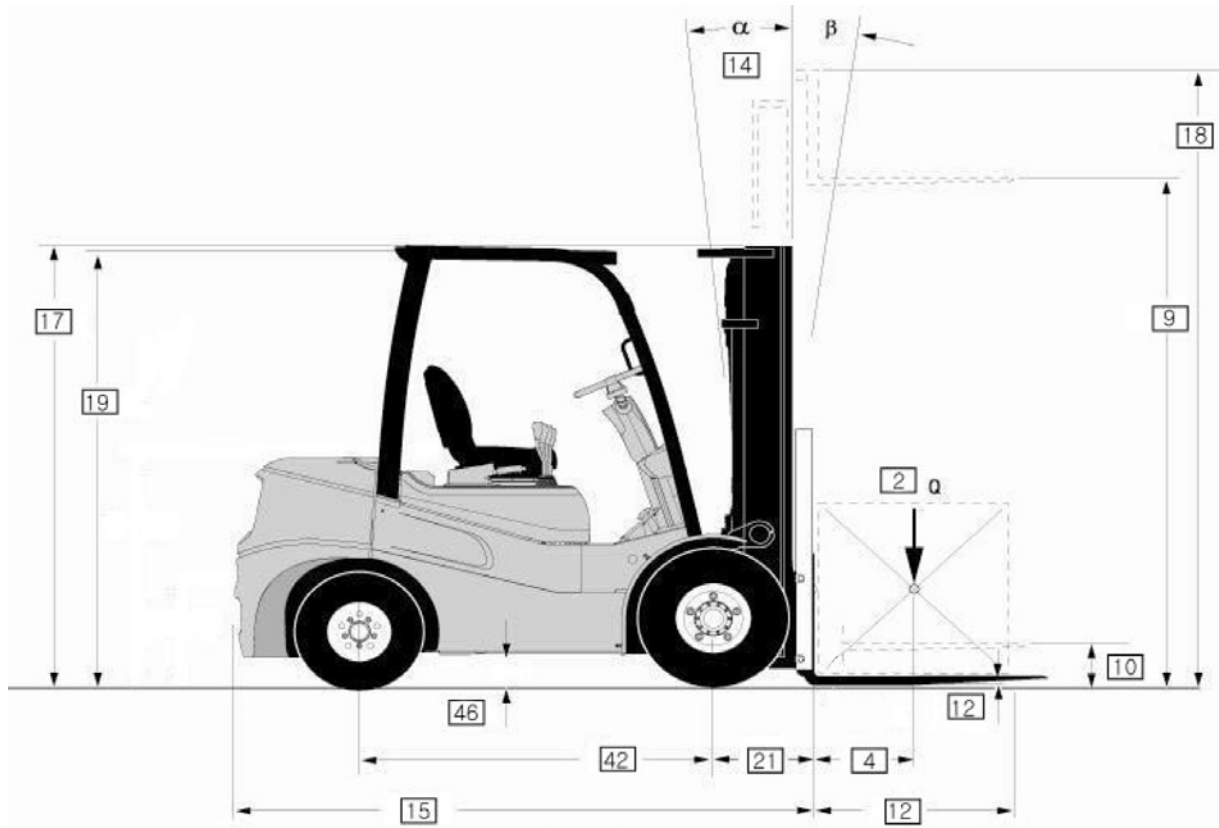
L20 Series Specifications

		Manufacture (Abbreviation)		CLARK	CLARK
Specifications	1	Manufacture's designation	-	L30D	L33D
	2	Load capacity / rated load	kg	3,000	3,300
	3	Engine	-	XinChai	XinChai
	4	Load centre distance	mm	500	500
	5	Fuel	-	DIESEL	DIESEL
	6	Operator type stand on / driver seated	-	SEATED	SEATED
	7	Tire type, P=pneumatic, SE-superelastic, C=cushion 1)	-	PNEUMATIC	PNEUMATIC
	8	Wheels, number front/rear (x=drive wheels)	-	2x/2	2x/2
Dimensions	9	Lift height 2)	mm	3195	3165
	10	Freelift	mm	110	110
	11	Fork carriage ISO 2328, A, B	-	CLASS III	CLASS III
	12	Fork dimensions	mm	45x122x1070	50x122x1070
	13	Fork carriage width	mm	1041	1143
	14	Tilt of upright/fork carriage, α / β	deg.	10/6	10/6
	15	Overall length to face of forks	mm	2770	2796
	16	Width (single/wide/dual)	mm	1260/1341/1907	1260/1341/1907
	17	Height, upright lowered	mm	2180	2180
	18	Height, upright extended	mm	4414	4384
	19	Height over head guard	mm	2180	2180
	20	Turning radius	mm	2480	2480
	21	Load centre distance, centre of drive axle to fork face	mm	470	475
	22	Stacking aisle for pallets 1000 x 1200 crossways	mm	4135	4135
	23	Stacking aisle for pallets 800 x 1200 lengthways	mm	4335	4335
Performance	24	Travel speed laden	km/h	17.1	17.1
	25	Travel speed unladen	km/h	19	19.1
	26	Lift speed laden	m/sec	0.51	0.47
	27	Lift speed unladen	m/sec	0.55	0.50
	28	Lowering speed laden	m/sec	0.54	0.50
	29	Lowering speed unladen	m/sec	0.50	0.43
	30	Max. drawbar pull laden 3) 4)	kg	1915	1913
	31	Max. drawbar pull unladen 3) 4)	kg	752	718
	32	Max. gradeability laden 4)	%	18.6%	17.2%
	33	Max. gradeability unladen 4)	%	27.9%	26.2%
Weight	34	Service weight	kg	4120	4240
	35	Axle loading, laden front	kg	6272	6693
	36	Axle loading, laden rear	kg	848	847
	37	Axle loading, unladen front	kg	1560	1500
	38	Axle loading, unladen rear	kg	2560	2740
Tyres, Chassis	39	Wheels, number front/rear	-	2/2	2/2
	40	Tire size, front	-	28x9x15-14PR	28x9x15-14PR
	41	Tire size, rear	-	6.50X10-12PR	6.50X10-12PR
	42	Wheelbase	mm	1700	1700
	43	Tread, front	mm	1032	1032
	44	Tread, rear	mm	910	910
	45	Ground clearance center of wheelbase	mm	165	165
	46	Ground clearance minimum, unladen	mm	150	150
	47	Service brake	-	FOOT/Dry-Drum	FOOT/Dry-Drum
	48	Parking brake	-	HAND	HAND
Drive line	49	Battery	V/AH	12V/80AH	12V/80AH
	50	Engine power	kW/rpm	36.8/2500	36.8/2500
	51	Engine torque	Nm/rpm	159/1800	159/1800
	52	Cylinder quantity	-	4	4
	53	Displacement	cc	2672	2672
	54	Fuel tank volume	L	56	56
	55	Fuel consumption	L/H	3.5	3.54
	56	Transmission type	-	Automatic	Automatic
	57	Hydraulic pressure for attachments	bar	140	140
	58	Sound level, driver's ear 5)	dB (A)	87	87

*1) Optional with super elastic tyres *2) Further lift heights available *3) 1.6km/h *4) With load at friction coefficient $\mu = 0,6$ *5) Equivalent permanent sound-pressure level L pAeq,T in accordance with EN 12053

All values shown are for standard lift truck with standard equipment. If the truck is supplied with options, values may change. All values given may vary +5% and -10% due the motor and system tolerances and represent nominal values obtained under typical operating conditions.

L20 Series Dimensions



L20 Series

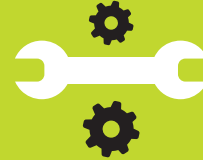
Simple.
Intuitive.
Cost Effective.





GLOBAL PRESENCE

CLARK products are in operation all around the world. An estimated 350,000 units in operation currently!



RELIABLE SPARE PARTS SERVICE

CLARK has state of the art distribution warehouses in USA, South Korea, Brazil, China, Australia, Germany and Vietnam.



COMPREHENSIVE DEALER NETWORK

Over 550 sales & distribution partners in more than 90 countries ensure a high level of availability of our products and services.



EXCELLENT QUALITY

CLARK is the forerunner in high quality standards and innovative product developments.