



## myPRO<sup>XL</sup> Smart Professional Dryer

### Especially designed for small businesses.

The machine with a Professional heart and a Green soul on a sensible budget boasting benefits from the professional design

### Benefits and features

- ▶ **Top durability with 15.000+ cycle lifetime**
  - Built with commercial components and last nearly six times\* longer than domestic washers
  - Drum supported by five roller bearings for long life
  - Easy to clean, heavy duty lint screen
- ▶ **Faster and more efficient drying process**
  - Larger drying load capacity: 10 kg
  - Large capacity can handle oversized loads with ease
  - Axial airflow ensures the shortest drying time and extremely low energy usage
- ▶ **Increased flexibility and serviceability**
  - OPL as default, Coin is an optional accessory
  - Optional retrofitable stacking kits for dryer+dryer
  - Extra large door opening for easy loading and unloading
  - Real-time clock for happy hour, promotional pricing
  - Roller supported tumbler with less vibration and noise
  - Front access for easy serviceability

### Accessories

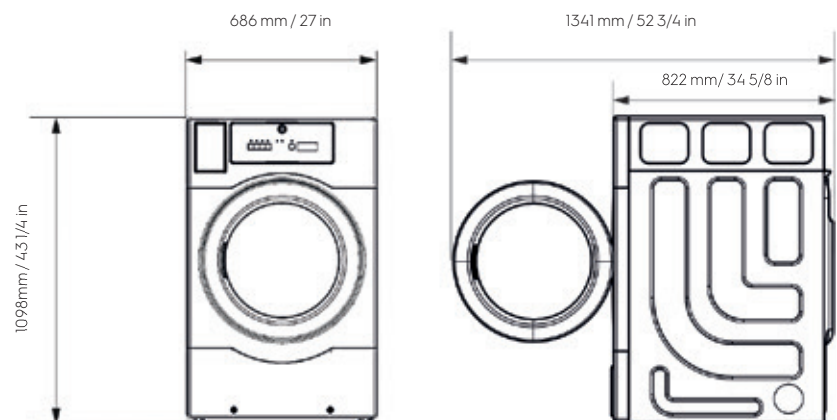
- ▶ **Electronic coinmeter for standard alone coin installation**
- ▶ **Mechanical coinmeter for stacked coin installation**
- ▶ **Retrofitable kits for stacked installation both OPL and coin installation**

### Main specifications at a glance

Drying capacity, kg	10
Drum volume, l	218
Energy consumption, kWh	5.22

### Dimensions

TE1220E



# myPRO<sup>XL</sup> Smart Professional Dryer

## Specifications TE1220

Heating type	Electric, 4.83 kW
Electrical connection, V/Hz/W	220-240/50Hz/1phase
Recommended fuse, amps	15
Type of drying	Vented
Air flow (CFM)	151
Motor (HP)	1/4
Declared drying noise, dB(A)	68
Display	LED
Filter	Filter with handle for easier removal
Levelling feet	4 adjustable feet

## Connections

Air outlet diameter (mm/in)	99.8/ 3 7/8
Exhaust outlet diameter (mm/in)	102/4

## Programs

Number of programs	4
High / Medium / Low / No heat	

## Dimensions

Product - WxHxD (mm/in)	686x1098x822 27x43 1/4 x 32 3/8
Width Door Opening (mm/in)	1341/52 3/4
Carton - WxHxD (mm/in)	770 x 1290 x 880 30 3/8 x 50 3/4 x 34 5/8
Weight - product/carton (kg/lb)	154/190 70/86

