

WATER SUPPLY & PRESSURE PUMPS

VSD Horizontal Multistage Pumps

HCE SERIES

HCE2-40

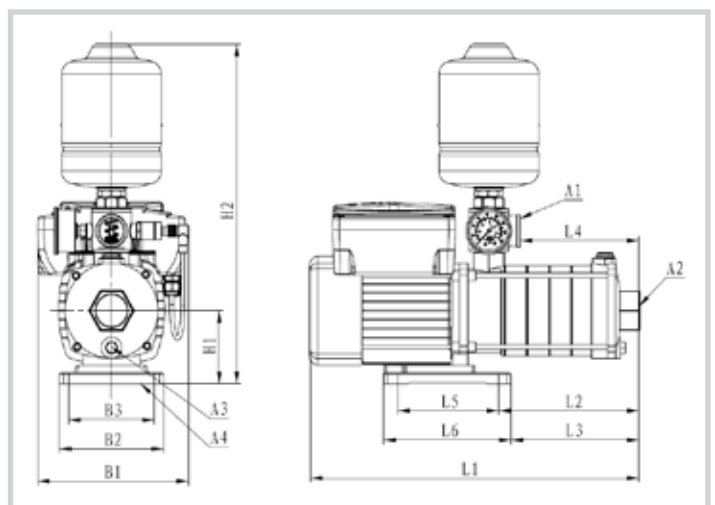


APPLICATION

HCE Series Variable Speed Multistage pressure pumps are ideal for water supply to whole house, irrigation, amenity blocks, industrial wash down areas and stock watering etc. The HCE Series VSD controller can be set at a pressure within the pumps capacity which is measured with a pressure transducer on the outlet, the pump will ramp up or down as water is used on demand at the set pressure with no fluctuation making the HCE Series pumps highly efficient to run compared to traditional pumps.

FEATURES

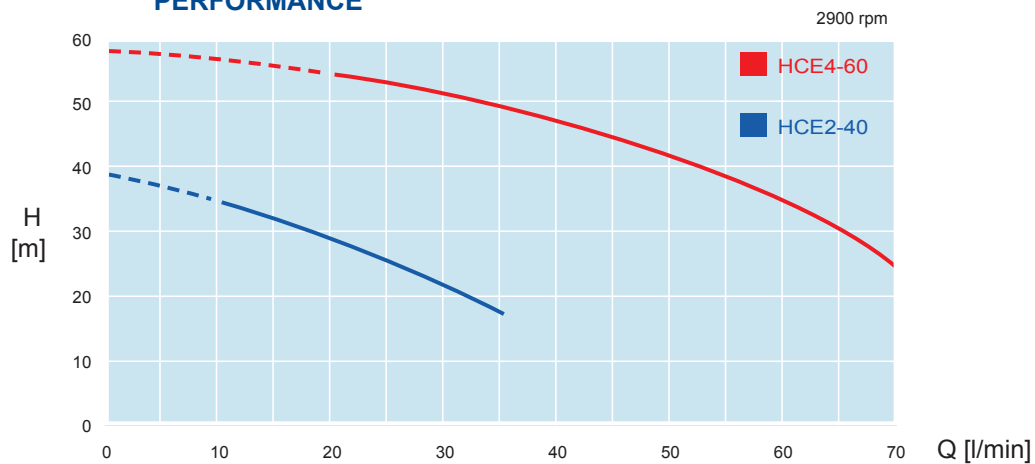
- Efficient to Run Saving 30 – 60% on energy
- Advance AC Frequency Conversion Control System
- AS4020 Certified
- 2 Litre Pressure Tank
- Very Quiet Operation
- Pump Body: AISI 304 Stainless steel
- Impeller: AISI 304 Stainless Steel
- Motor Shaft: AISI 304 Stainless Steel
- Mechanical Seal: Carbon / Ceramic
- Max. Fluid Temp: 90c
- Max. Ambient Temp: 50c
- Two pole Induction Motor
- 50 Hz 1Ph 240 Volt
- Protection IP55
- Insulation Class F
- Thermal Overload Protection
- Continuous Duty



HCE4-60



PERFORMANCE



TECHNICAL DATA

Model	Power (kW)	Amps (A)	Max. FLOW	Max. HEAD	Impeller	Outlet
HCE2-40	0.55	3.8	58	38	4 Stage	25mm
HCE4-60	1.1	6.7	116	58	6 Stage	25mm

DIMENSIONS

Model	Dimensions (mm)														
	A1	A2	A3	A4	B1	B2	B3	H1	H2	L1	L2	L3	L4	L5	L6
HCE2-40	G1	G1	G3/8	9	189	130	108	90	417	362	126	108	68	138	160
HCE4-60	G1	G1 1/4	G3/8	9	189	130	108	90	417	443	207	189	177	138	160