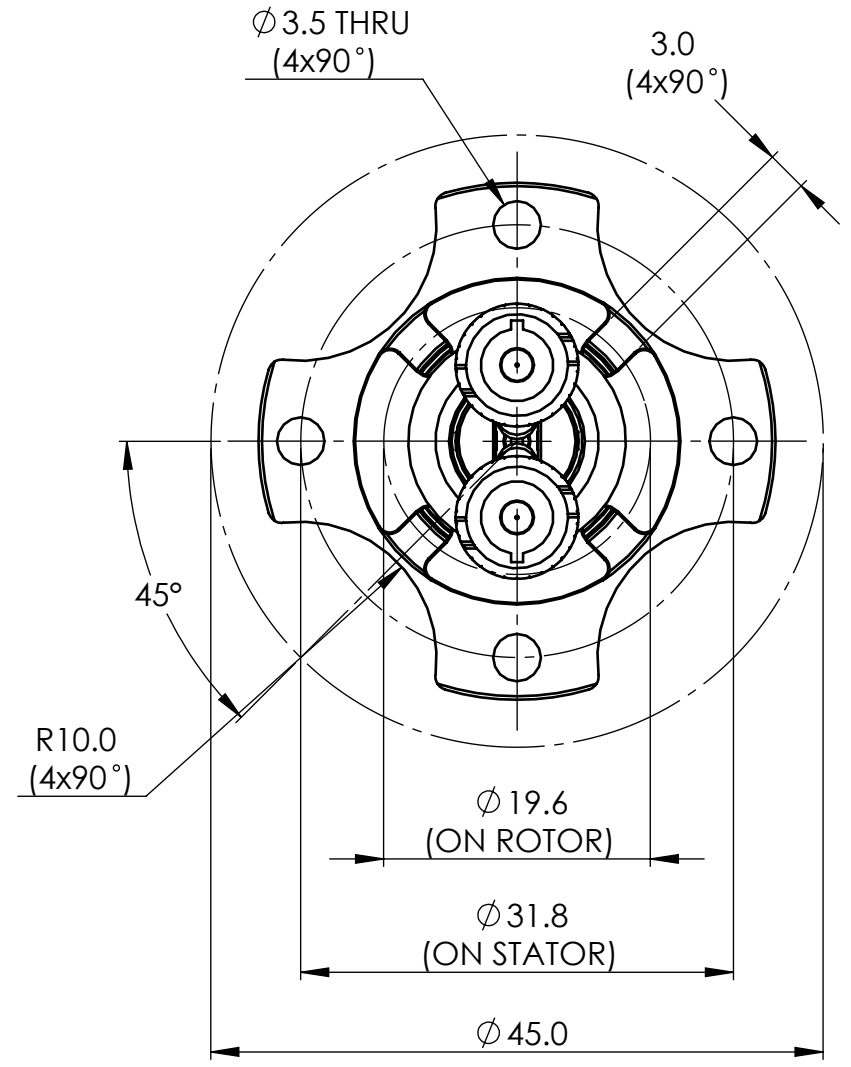


Note: More options available upon request.



PROPRIETARY AND CONFIDENTIAL
 THE INFORMATION CONTAINED IN THIS DRAWING IS THE SOLE PROPERTY OF PRINCETEL, INC. ANY REPRODUCTION IN PART OR AS A WHOLE WITHOUT THE WRITTEN PERMISSION OF PRINCETEL, INC. IS PROHIBITED.

STANDARD SPECIFICATIONS	
PARAMETERS	VALUES
Wavelength range	1310/850 nm or 1310/1550 nm
Insertion loss	<4 dB/channel 1, <6 dB/channel 2 (Premium: <4 dB)
Insertion loss WOW	<+/-1 dB
Return loss	~15 dB
Crosstalk	>50 dB
Maximum speed	100 rpm
Estimated life cycle	100-200 million revolutions
Working temperature	-40 to 72 C
Storage temperature	-45 to 75 C
Package style	Pigtails on both ends
Housing material	Stainless steel
Fiber types	Multimode
Jacket types	900um, 2mm, 3 mm (Kevlar lined) or armor
Connector types	ST, FC, LC, SC, SMA
Vibration	MIL-STD-167-1A
Mechanical shock	MIL-STD-810G
IP rating	IP 60 (optional IP65)

UNLESS OTHERWISE SPECIFIED:
 DIMENSIONS ARE IN mm
 DO NOT SCALE DRAWING

TOLERANCES:
 ANGULAR: ± 1/2°
 ONE PLACE DECIMAL ± 0.100
 TWO PLACE DECIMAL ± 0.050
 THREE PLACE DECIMAL ± 0.025

MATERIAL:

DRAWN	DATE	NAME	PRINCETEL, INC.
CHECKED	10/1/2015	L. X.	
ENG APPR.	10/1/2015	R. Z.	
MFG APPR.			
Q.A.			
COMMENTS: FIRST ANGLE PROJECTION			TITLE:
			MJ2, FORJ
SIZE	DWG. NO.	REV	
B	102-00-AD	2	
PART NO.	-	SHEET 1 OF 1	

