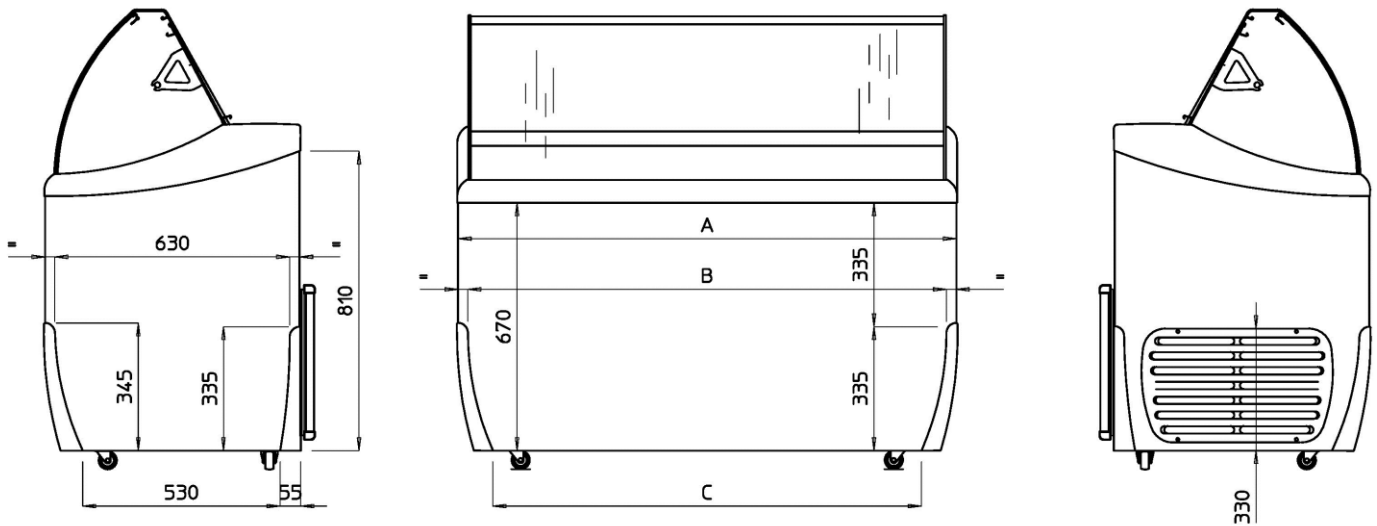


QUOTA	J 7 EXTRA	J 9 EXTRA
A	1341	1656
B	1278	1593
C	1217	1532
D	727	1042
E	1337	1652

J 7-9 EXTRA
S_41634 - 30/07/2010

Updated on
16/04/2020



QUOTA	J 7 EXTRA	J 9 EXTRA
A	1337	1652
B	1284	1599
C	1150	1465

J 7 - 9

PARTI A VISTA - CUSTOMIZABLE AREA

S_44001 - 00

Updated on
16/04/2020