

GIANT

TOBROCO *team*

Industrielaan 2, 5061 KC Oisterwijk

Tel.: +31 (0)13-5211212

Fax: +31 (0)13-5234045

Internet: www.tobroco-giant.com

E-Mail: info@tobroco.com

SK 211 G

SK 201 D

SK 251 D



SKID STEER LOADER

A small, handy, compact machine



SK 211 G - SK 201 D - SK 251 D

SKID STEER LOADER

The GIANT SKIDSTEER combines a low service weight and compact dimensions with a high thrust and tipping load. As with our GIANT machines, the SKID STEER LOADERS also incorporate premium, high-quality components from well known brands, such as: Kubota, Parker, Honda and Hydac.



PERFORMANCE

Feature for fitting a twin gear pump to increase the oil flow. Ask your GIANT dealer about the optional features.



BENEFITS

- ✓ HIGH THRUST
- ✓ EQUIPPED WITH 4 POWERFUL HYDR. WHEEL MOTORS
- ✓ ROBUST STEEL CONSTRUCTION
- ✓ TO PROVIDE WITH HYDRAULIC QUICK HITCH
- ✓ MULTIPLE (DIESEL / PETROL) VERSIONS AVAILABLE
- ✓ HEIGHT-ADJUSTABLE AND SPRING-MOUNTED DRIVER'S PLATFORM
- ✓ HIGH TIPPING LOAD
- ✓ LARGE TYRES, UP TO 12 INCH AVAILABLE
- ✓ HIGH OIL FLOW
- ✓ COMBINED OIL AND WATER COOLER
- ✓ COUNTERWEIGHTS INTEGRATED INTO MUDGUARDS
- ✓ ENGINE MOUNTED ON LOW-VIBRATION RUBBER-METAL BLOCKS
- ✓ LARGE GRAB AND DUMP ANGLE
- ✓ HARDENED BEARINGS IN LIFTING ARM
- ✓ HIGH GROUND CLEARANCE
- ✓ PARALLEL GUIDANCE ON LIFTING ARM
- ✓ SIDE BRACKETS FOR COMFORTABLE WORKING
- ✓ EASY TO TRANSPORT

TYRES

The wheels are driven by 4 powerful Parker wheel engines, which require little maintenance. In combination with the correct tyres this results in directly a lot of thrust.



TYPE OF TYRE	SIZE	TOTAL WIDTH
Forklift	4.00-8	780 mm*
Forklift	5.00-8	830 mm*
AS	18x8.5-8	930 mm
SKID	23x8.5-12	930 mm
GRASS	23x8.5-12	930 mm
AS	23x10.5-12	1.070 mm
GRASS	23x10.5-12	1.070 mm
GRASS	20x10-8	1.080 mm
All-Ground (Standard)	22x11-8	1.090 mm

*Integrated counterweights in mudguards expire

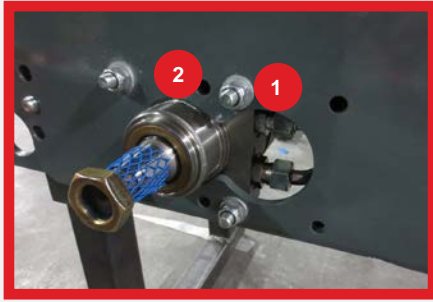
MULTIPLE OPTIONS

The variety of options and attachments make the GIANT SKIDSTEER fully adaptable to work in the agricultural sector, (road) construction, landscaping or for private use. Ask your GIANT dealer about them or visit www.tobroco-giant.com



STABILITY

Before production, you can choose to assemble a short or wider wheel base. The choice depends on your situation. Ask for the possibilities.



- 1** Short wheelbase = Compact, manoeuvrable
- 2** Longer wheelbase = Stable, tipping load.

COMPACT



*Dimensions measured on standard tyres, without attachment and with folded drivers platform.

Width ranges from 780 mm to 1.090 mm.

TECHNICAL DATA

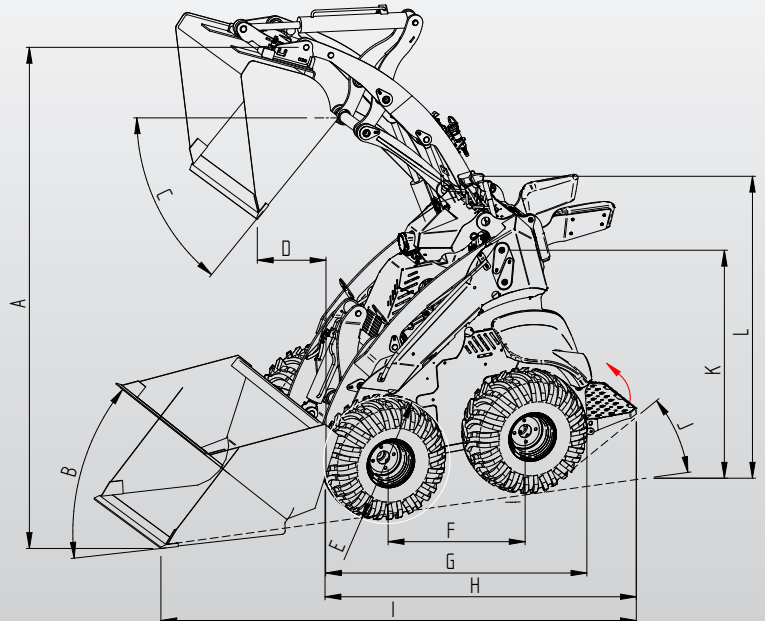
	SK 211 G	SK 201 D	SK 251 D
Engine	2-cylinder Honda GX630 petrol motor 21 hp / 15,5 kW	3-cylinder Kubota D722 diesel motor 20 hp / 15 kW	3-cylinder Kubota D902 diesel motor 25 hp / 17,5 kW
Drive mechanism	4x Parker hydraulic wheel motors	4x Parker hydraulic wheel motors	4x Parker hydraulic wheel motors
Driving speed	6 km/h	7 km/h	7 km/h
Work hydraulics	28 L/min	30 L/min	30 L/min
Weight	750 kg	795 kg	810 kg
Diesel / Oil capacity	21 L / 42 L	21 L / 42 L	21 L / 42 L
Attachment bracket	GIANT COMPACT Mechanical (Option: Hydraulic)	GIANT COMPACT Mechanical (Option: Hydraulic)	GIANT COMPACT Mechanical (Option: Hydraulic)
Standard tyres	22x11-8 All Ground	22x11-8 All Ground	22x11-8 All Ground

	SK 211 G	SK 201 D	SK 251 D
A	2.100	2.100	2.100
B	41°	41°	41°
C	39°	39°	39°
D	321	321	321
E	max. ø590	max. ø590	max. ø590
F	660 (option 735)	660 (option 735)	660 (option 735)
G	1.371	1.371	1.371
H	1.580	1.580	1.580
I	2.200	2.200	2.200
J	20°	20°	20°
K	1.243	1.243	1.243
L	1.362	1.362	1.362

Dimensions in mm, measured on standard tyres.

Note: All dimensions are measured with a GIANT quick change system. In case of a different hitch, other values may apply. TOBROCO-GIANT can not be taken responsible for the possible consequences.

Visit www.tobroco-giant.com to view recent tipping loads



MORE INFO? VISIT:
WWW.TOBROCO-GIANT.COM

Details subject to change.



WWW.GIANT-ATTACHMENTS.COM



WWW.TOBROCO-GIANT.COM



TOBROCO-GIANT

Industrielaan 2
 5061 KC Oisterwijk (NL)
 Tel.: +31 (0)13-5211212
 Fax: +31 (0)13-5234045
 Internet: www.tobroco-giant.com
 E-Mail: info@tobroco.com

All technical data in this brochure refer to series models that have been tested under operating conditions typical of Central Europe and describe their standard functions. Specifications and their modes of functionality as well as accessories listed in this brochure depend on the individual model and on the options available with a particular product as well as the statutory requirements of the country of sale. Illustrations used in this brochure may show products that have not been mentioned or that are not available as series production machines. The descriptions, illustrations, weights and technical data published herein are non-binding in nature and represent the technical status at the time the document went to press. Because of ongoing development, we reserve the right to make changes, without prior notice, to the design, specification, visual appearance and technology of our products. Should you require special functions that would be available only by using additional components and/or under special circumstances, please feel free to contact us. We will be happy to answer any questions you may have and to provide further information regarding whether and under what conditions applying to the product and the target environment such special functions might be feasible. If you have any concerns about the load capacity or operation of our products in certain working conditions or environments, we recommend that you perform a test run under controlled conditions. Despite meticulous attention to detail, we cannot exclude the possibility that our products may not conform to illustrations or stated dimensions, or that errors may have occurred in calculation or during printing, or that the information given here may be incomplete. Consequently, we do not accept liability for the accuracy or completeness of the information supplied in this brochure. All matters relating to our product warranty are contained within our General Terms and Conditions. We expressly decline to provide additional guarantees. Any liability over and above that contained within our General Terms and Conditions is excluded.