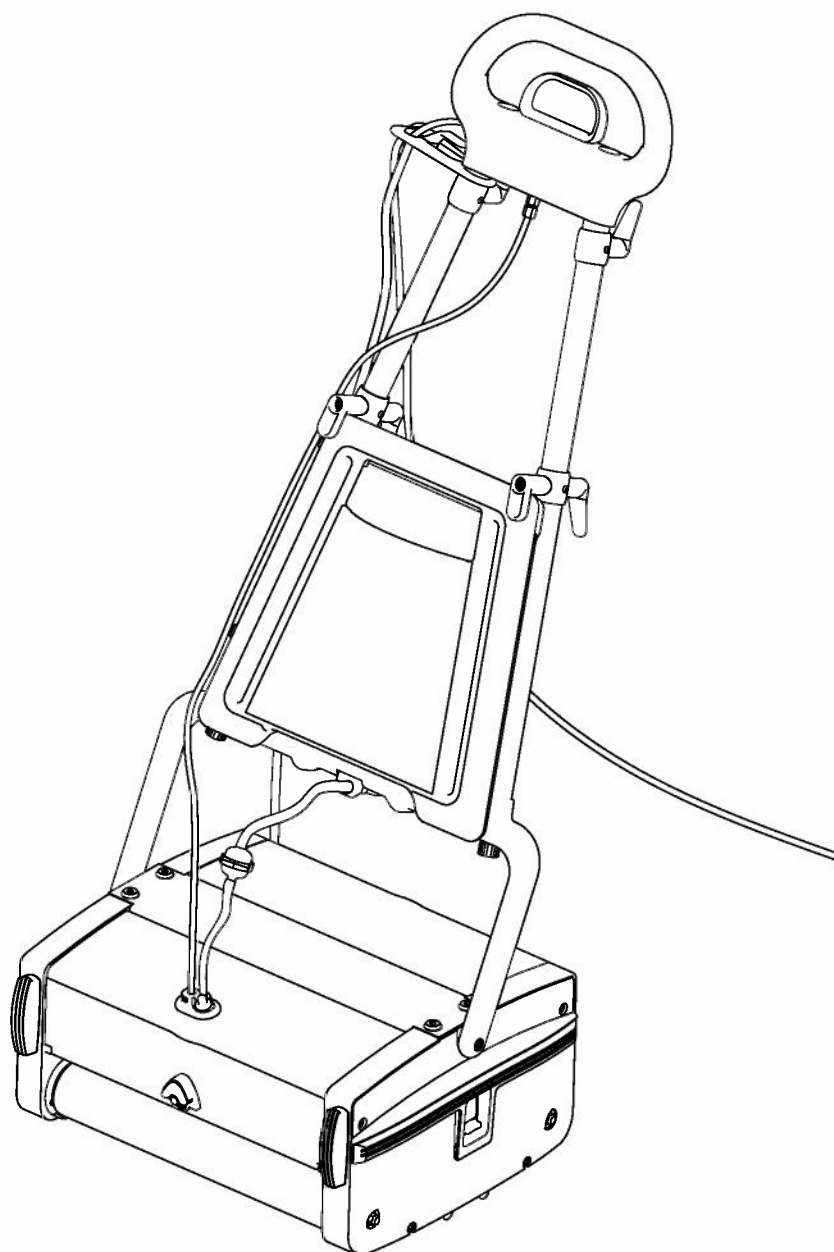


Spare parts list

Machine serial number starting from
00 4827 R11

MW440 /PUMP



03-7997-0000
Issue : 1

NOTES

Spare parts orders should be sent to your designated Truvox agent or contact Truvox direct using the details at the bottom of this page.

All information, illustrations and specifications contained in this manual are based on the latest production information available at the time of publication. The right is reserved to make changes on all information at any time without notice.

Repairs and servicing should only be completed by a Truvox International authorised and approved organisation, where only original Truvox supplied components will be fitted. Failure to comply with this will invalidate the warrantee

When ordering spare parts please state the following:

- a) Type and Serial number of the machine.
- b) Complete description and part number (as given in this booklet) of the required spare part and quantity required.



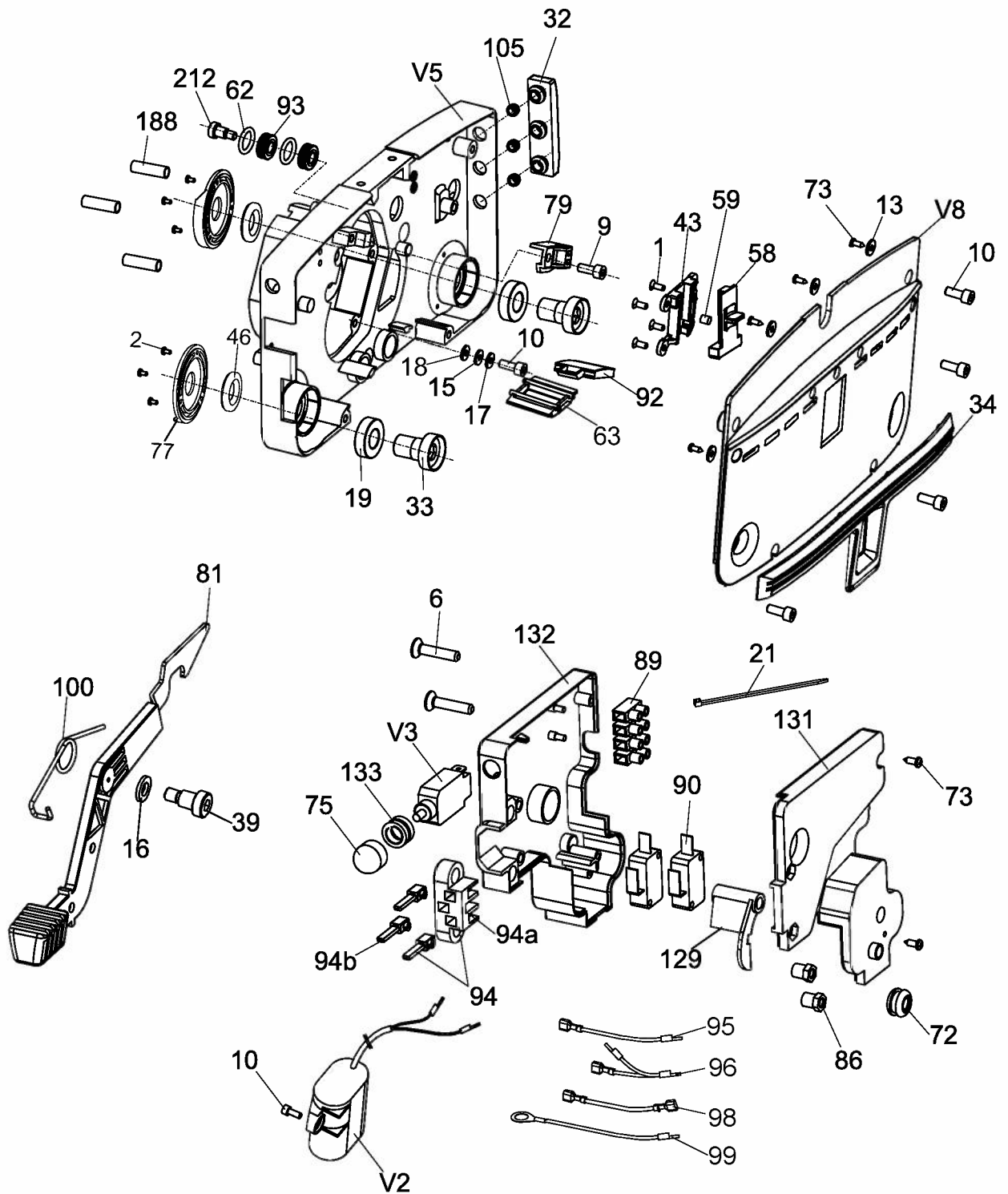
Truvox International Limited,
Third Avenue, Millbrook, Southampton,
Hampshire S015 0LE England
Tel: +44 (0) 23 8070 2200 Fax: +44 (0) 23 8070 5001
e-mail: truvox@truvox.com <http://www.truvox.com>

CONTENTS

Housing-Drive Side.....	5
Housing-Idle Side.....	7 & 9
Pump Housing.....	11
Lever and Guide Link Mechanism.....	13
Handle Assembly.....	15
Motor, Drum and Bridge Assembly.....	17
Accessories.....	19

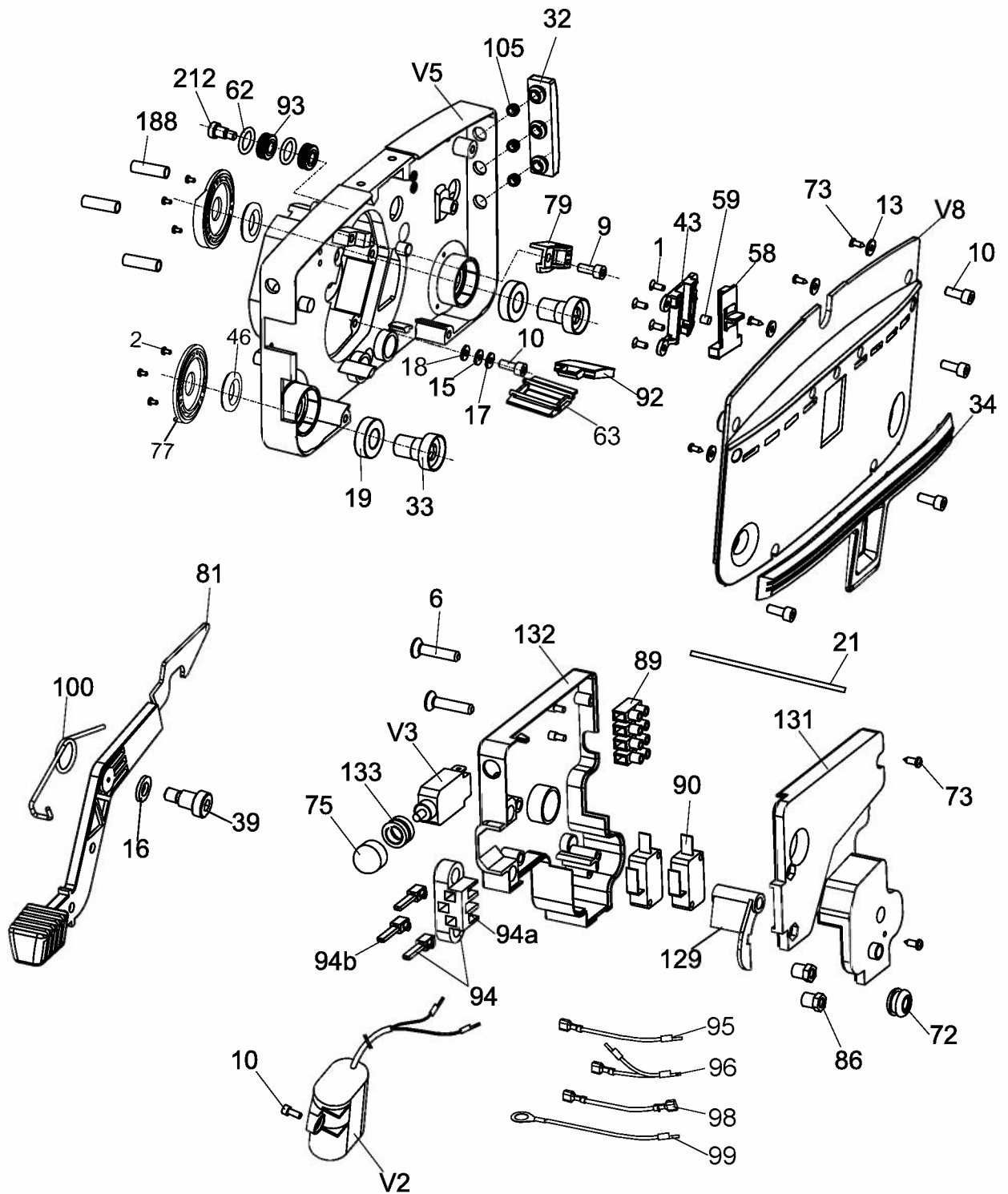
Ref. No	Part No	Description	Size	Qty
1	90-0258-0000	CSK SCREW	M4x10	4
2	90-0001-0000	CRPH SCREW	M3x6	6
7	90-0143-0000	CSK SCREW	M6x14	3
9	90-0293-0000	ALLEN SCREW	M6x10	2
10	90-0144-0000	ALLEN SCREW	M6x16	7
11	90-0005-0000	ALLEN SCREW	M6x20	2
13	90-0007-0000	WASHER	4.2x12x1.6	4
19	90-0009-0000	BEARING	6003 2RS	9
20	90-0121-0000	BEARING	608 2Z	1
24	90-0011-0000	BELT	500 5 M	1
25	90-0012-0000	BELT	425 5 M	1
28	90-0152-0000	WASHER		2
32	90-0154-0000	BUMPER		1
34	90-0156-0000	BUMPER		1
42	90-0024-0000	BRUSH SLIDER		1
43	90-0025-0000	SLIDER HOUSING		1
46	90-0027-0000	SEAL		2
53	90-0031-0000	DRUM SPROCKET		1
59	90-0035-0000	PIN		1
62	90-0176-0000	O' RING		2
63	90-0040-0000	SHIELD		1
73	90-0183-0000	SELF TAPPING SCREW		4
77	90-0020-0000	CAP		2
80	90-0285-0000	GEAR HOUSING		1
83	90-0268-0000	HOUSING SPROCKET		1
84	90-0264-0000	SEAL		1
87	90-0286-0000	GEAR – LH		1
88	90-0287-0000	GEAR - RH		1
92	90-0267-0000	SHIELD		2
93	90-0294-0000	ROLLER		2
105	90-0390-0000	BUMPER SLEEVE		3
111	90-0061-0000	BRUSH SPROCKET		2
114	90-0063-0000	GEAR SPROCKET		2
115	90-0065-0000	IDLER ASSY		1
115a	90-0169-0000	SPROCKET		1
115b	90-0161-0000	HUB		2
116	90-0197-0000	IDLER ASSY		1
116a	90-0166-0000	SLEEVE		1
209	90-0391-0000	PINION		1
212	90-0392-0000	STUB-AXLE		2
V7	90-0393-0000	DRIVE HOUSING (WATER BLUE RAL 5021)		1
V8	90-0126-0000	COVER (WATER BLUE RAL 5021)		1

Housing-Idle Side



Ref. No	Part No	Description	Size	Qty
1	90-0258-0000	CSK SCREW	M4x10	4
2	90-0001-0000	CRPH SCREW	M3x6	6
6	90-0261-0000	CSK SCREW	M5x25	2
9	90-0293-0000	ALLEN SCREW	M6x10	1
10	90-0144-0000	ALLEN SCREW	M6x16	5
13	90-0007-0000	WASHER	4.2x12x1.6	4
15	90-0147-0000	WASHER	6.4x12x1.6	1
16	90-0395-0000	WASHER	9x17x1.6	1
17	90-0298-0000	SPRING WASHER	M6	1
18	90-0148-0000	TOOTHED WASHER	M6	1
19	90-0009-0000	BEARING	6003 2RS	2
21	90-0149-0000	WIRE TIE		3
32	90-0154-0000	BUMPER		1
33	90-0155-0000	BUSH		2
34	90-0156-0000	BUMPER		1
39	90-0123-0000	STUB AXLE		1
43	90-0025-0000	SLIDER HOUSING		1
46	90-0027-0000	SEAL		2
58	90-0033-0000	TRANSPORT SLIDER		1
59	90-0035-0000	PIN		1
62	90-0176-0000	O' RING		2
63	90-0040-0000	SHIELD		1
72	90-0045-0000	GROMMET		2
73	90-0183-0000	SELF TAPPING SCREW		6
75	90-0048-0000	CAP		1
77	90-0020-0000	CAP		2
79	90-0188-0000	STOPPER		1
81	90-0259-0000	PEDAL		1
86	90-0297-0000	NUT		2
89	90-0269-0000	CONNECTOR		1
90	90-0283-0000	SWITCH		2
92	90-0267-0000	SHIELD		2
93	90-0294-0000	ROLLER		2
94	90-0290-0000	SOCKET ASSY		1
94a	90-0291-0000	SOCKET		1
94b	90-0292-0000	TERMINAL		3
95	90-0278-0000	CABLE		1
96	90-0279-0000	CABLE		1
98	90-0281-0000	CABLE		1
99	90-0282-0000	CABLE		1
100	90-0260-0000	SPRING-PEDAL		1
105	90-0390-0000	BUMPER SLEEVE		3
129	90-0265-0000	LEVER SWITCH ACT		1

Housing-Idle Side

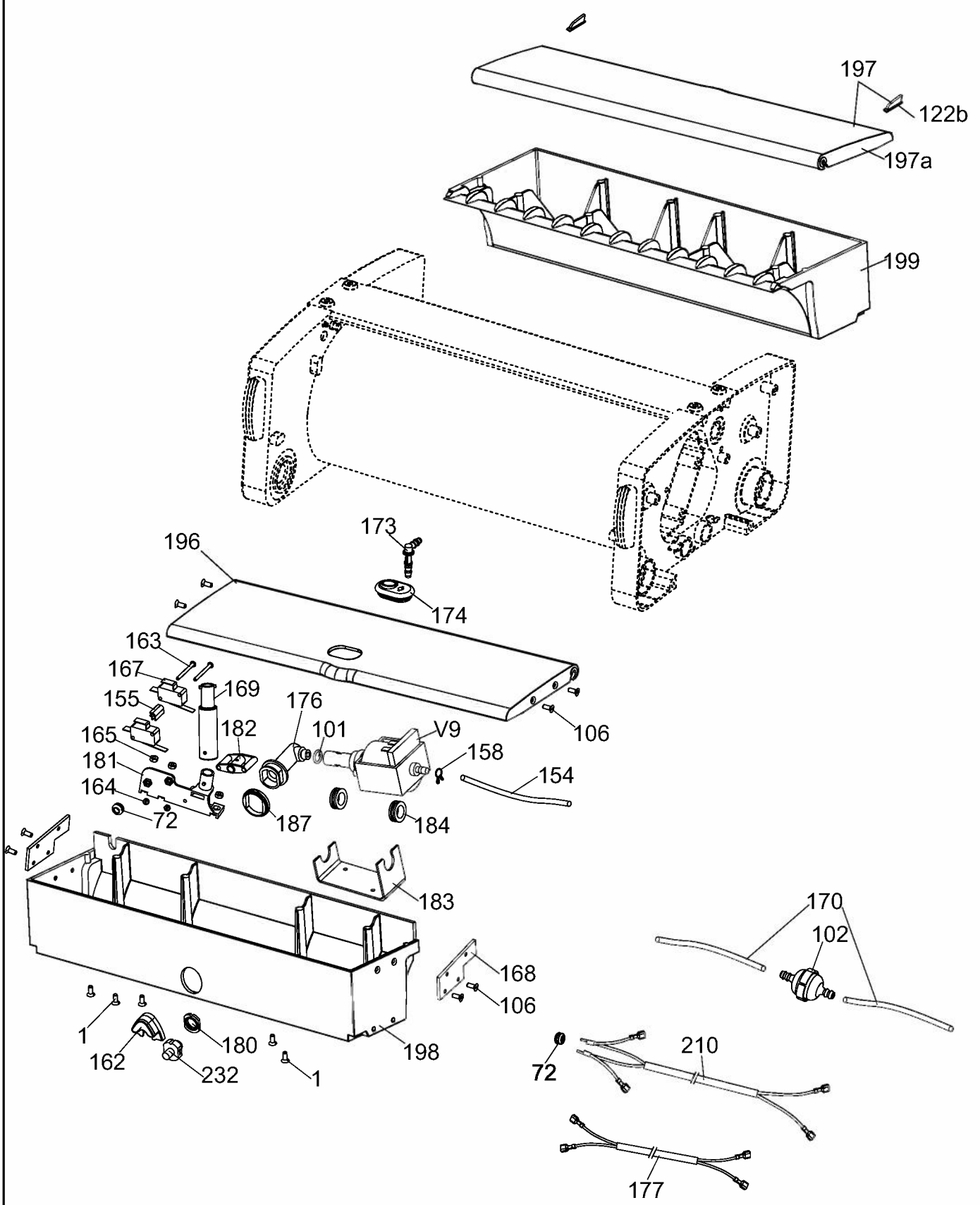


Housing-Idle Side

9

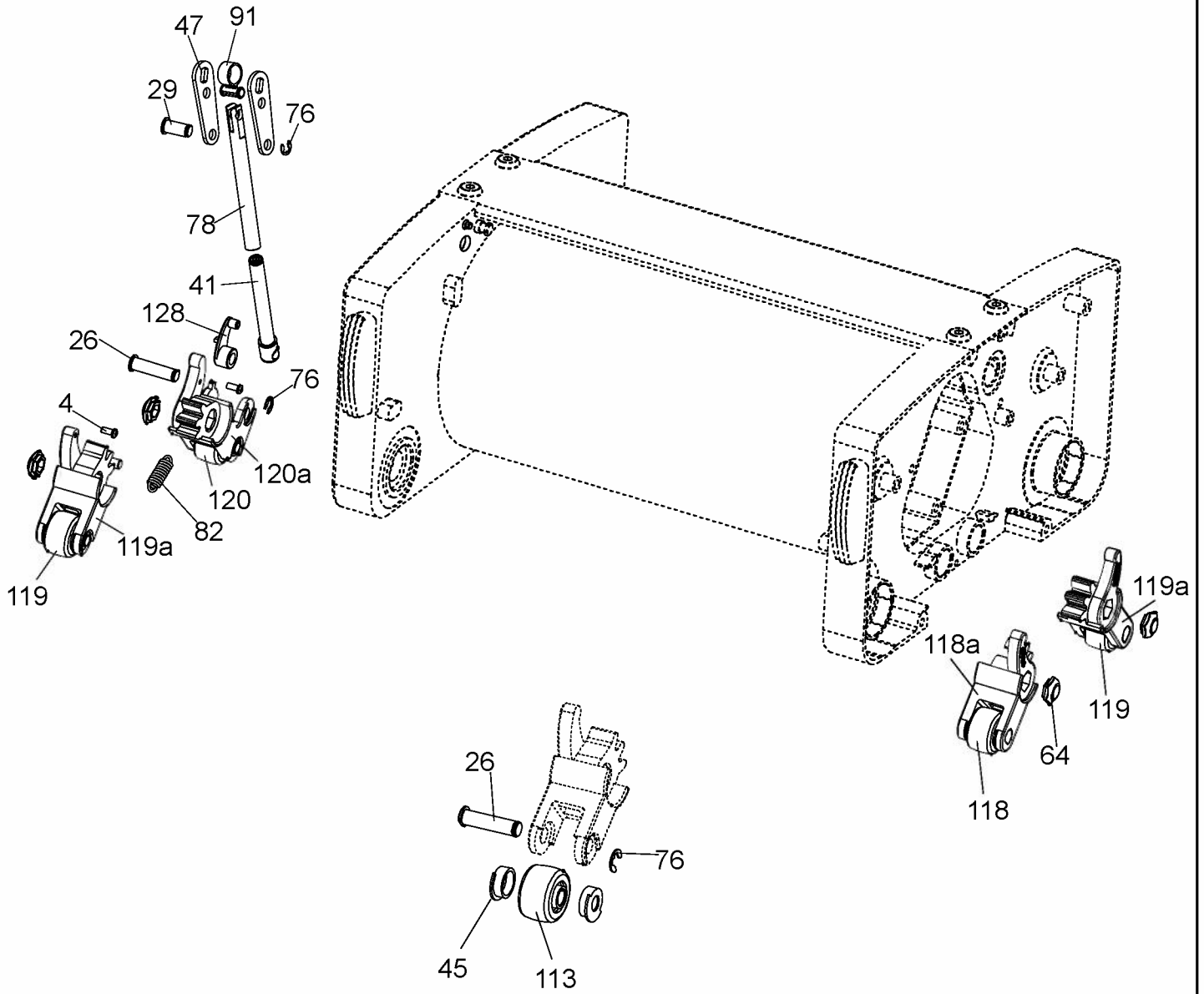
Ref. No	Part No	Description	Size	Qty
131	90-0262-0000	INSULATION TOP		1
132	90-0263-0000	INSULATION BOTTOM		1
133	90-0295-0000	NUT		1
188	90-0397-0000	SLEEVE TIE ROD		3
212	90-0392-0000	STUB AXLE		1
V2	90-0398-0000	CAPACITOR (26 MFD)		1
V3	90-0394-0000	CIRCUIT BREAKER (6A)		1
V5	90-0389-0000	IDLE HOUSING (WATER BLUE RAL 5021)		1
V8	90-0126-0000	COVER (WATER BLUE RAL 5021)		1

Pump Housing



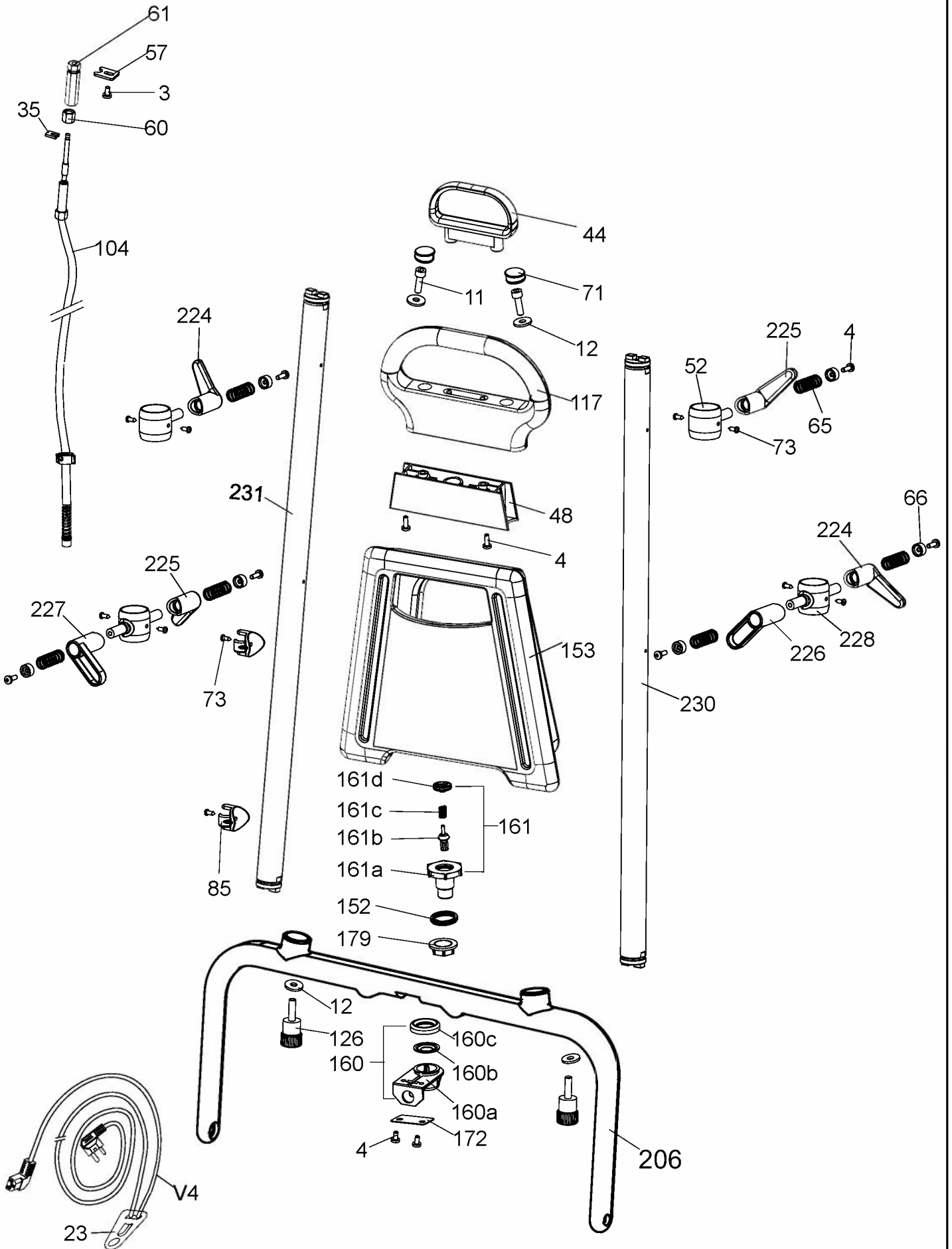
Ref. No	Part No	Description	Size	Qty
1	90-0258-0000	CSK SCREW	M4x10	5
72	90-0045-0000	GROMMET		2
101	90-0100-0000	O-RING-PUMP		1
102	90-0113-0000	FILTER		1
106	90-0396-0000	CSK SCREW	M4x8	8
122b	90-0055-0000	LID PAD		2
154	90-0104-0000	HOSE-275		1
155	90-0227-0000	INSULATION		1
158	90-0353-0000	HOSE CLIP		1
162	90-0112-0000	BOOT		1
163	90-0138-0000	SCREW	M3X30	2
164	90-0140-0000	HEX NUT	M3	2
165	90-0141-0000	HEX NUT	M4	3
167	90-0057-0000	SWITCH		2
168	90-0349-0000	STRIP LID		2
169	90-0350-0000	EXTENSION BUSH		1
170	90-0403-0000	HOSE-165		2
173	90-0404-0000	HOSE CONNECTOR		1
174	90-0405-0000	BOOT-LID		1
176	90-0094-0000	ADAPTOR NOZZLE		1
177	90-0344-0000	CABLE		1
180	90-0093-0000	SEAL NOZZLE		1
181	90-0209-0000	BASE SWITCH		1
182	90-0212-0000	LEVER		1
183	90-0213-0000	CLAMP		1
184	90-0214-0000	SUPPORT RING		2
187	90-0099-0000	SPACER		1
196	90-0406-0000	LID-PUMP HOUSING		1
197	90-0407-0000	LID-DIRTY WATER		1
197a	90-0408-0000	LID-DIRTY WATER		1
198	90-0409-0000	PUMP HOUSING		1
199	90-0410-0000	DIRTY WATER TANK		1
210	90-0411-0000	CABLE		1
232	90-0453-0000	NOZZLE		1
V9	04-3393-0000	PUMP (230V, 50Hz)		1
V9	90-0464-0000	PUMP (220V, 50-60Hz)		1

Lever and Guide Link Mechanism



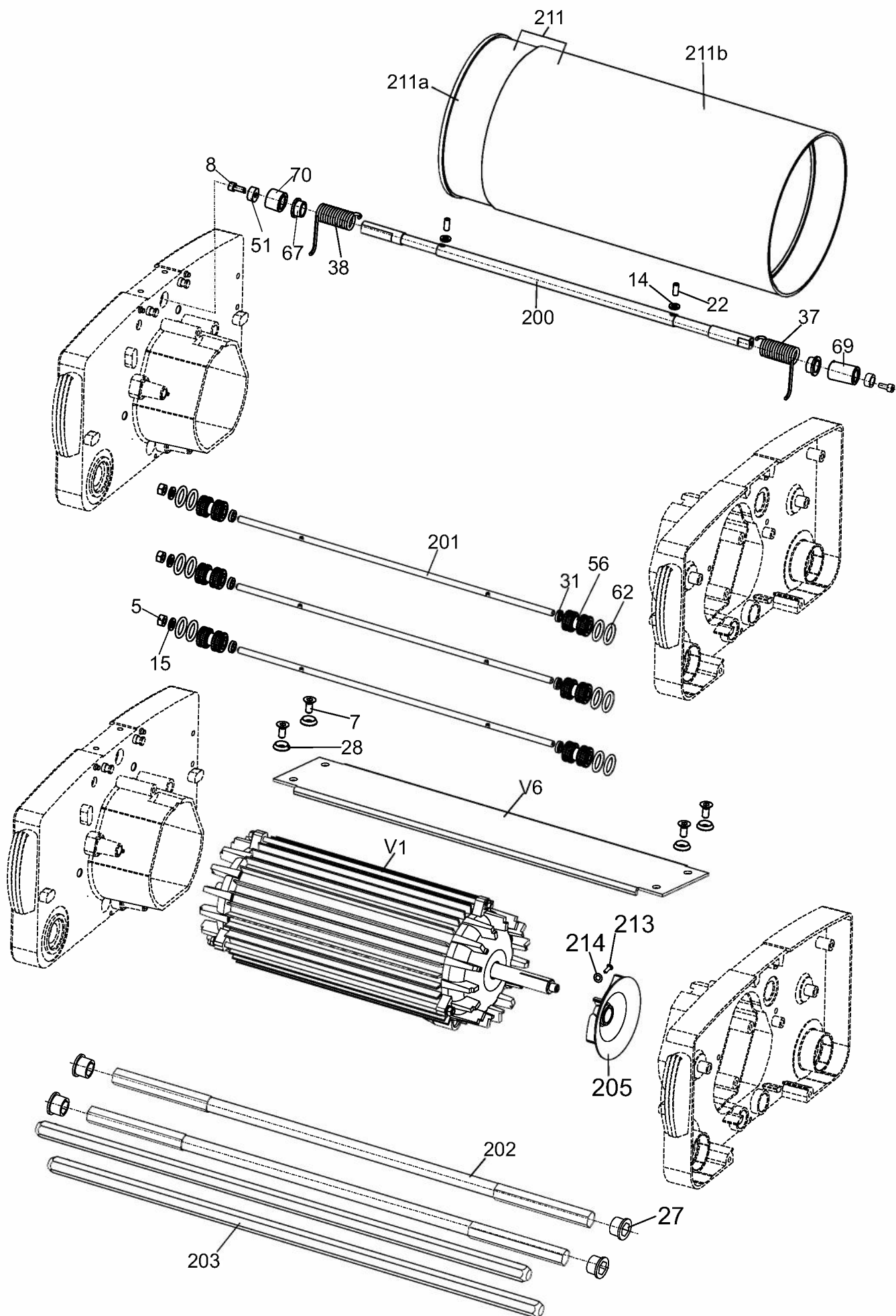
Ref. No	Part No	Description	Size	Qty
4	90-0046-0000	CRPH SCREW	M4x12	2
26	90-0151-0000	CLEVIS PIN		5
29	90-0153-0000	CLEVIS PIN		1
41	90-0159-0000	LINK		1
45	90-0162-0000	SHIELD		8
47	90-0163-0000	LEVER		2
64	90-0177-0000	LEVER BUTTON		4
76	90-0051-0000	CIRCLIP		6
78	90-0186-0000	LINK GUIDE		1
82	90-0284-0000	SPRING		1
91	90-0257-0000	BUSH		1
113	90-0196-0000	WHEEL		4
118	90-0068-0000	LEVER ASSY		1
118a	90-0173-0000	LEVER		1
119	90-0069-0000	LEVER ASSY		2
119a	90-0174-0000	LEVER		2
120	90-0070-0000	LEVER ASSY		1
120a	90-0175-0000	LEVER		1
128	90-0266-0000	LEVER SWITCH		1

Handle Assembly



Ref. No	Part No	Description	Size	Qty
3	90-0002-0000	CRPH SCREW	M4x8	1
4	90-0046-0000	CRPH SCREW	M4x12	10
11	90-0005-0000	ALLEN SCREW	M6x20	2
12	90-0006-0000	WASHER	6.4x18x2	4
23	90-0010-0000	CABLE RETAINER		1
35	90-0018-0000	CLAMP		1
44	90-0026-0000	PULL HANDLE		1
48	90-0165-0000	CAP		1
52	90-0168-0000	BASE-CABLE HOLDER		2
57	90-0032-0000	CLAMP		1
60	90-0038-0000	NUT		1
61	90-0039-0000	SLEEVE		1
65	90-0041-0000	SPRING		6
66	90-0042-0000	WASHER		6
71	90-0044-0000	PLUG		2
73	90-0183-0000	SELF TAPPING SCREW		10
85	90-0050-0000	GUIDE		2
104	90-0347-0000	PULL CABLE-P		1
117	90-0067-0000	TOP HANDLE		1
126	90-0296-0000	KNOB		2
152	90-0101-0000	GASKET		1
153	90-0103-0000	TANK-4I		1
160	90-0110-0000	BASE VALVE		1
160a	90-0202-0000	BASE		1
160b	90-0206-0000	SEAL		1
160c	90-0210-0000	CAP-VALVE		1
161	90-0111-0000	VALVE		1
161a	90-0203-0000	BODY-VALVE		1
161b	90-0341-0000	SEAL		1
161c	90-0229-0000	SPRING		1
161d	90-0204-0000	CAP-SPRING		1
172	90-0412-0000	PLATE		1
179	90-0092-0000	NUT		1
206	90-0413-0000	HANDLE-BOTTOM		1
224	90-0402-0000	KNOB-CABLE HOLDER-II		2
225	90-0429-0000	KNOB-CABLE HOLDER-I		2
226	90-0443-0000	KNOB-TANK HOLDER-LH		1
227	90-0444-0000	KNOB-TANK HOLDER-RH		1
228	90-0445-0000	BASE-CABLE AND TANK HOLDER		2
230	90-0451-0000	PIPE-LH		1
231	90-0452-0000	PIPE-RH		1
V4	90-0299-0000	POWER CORD(UK)		1
V4	90-0273-0000	POWER CORD(EURO)		1

Motor, Drum and Bridge Assembly

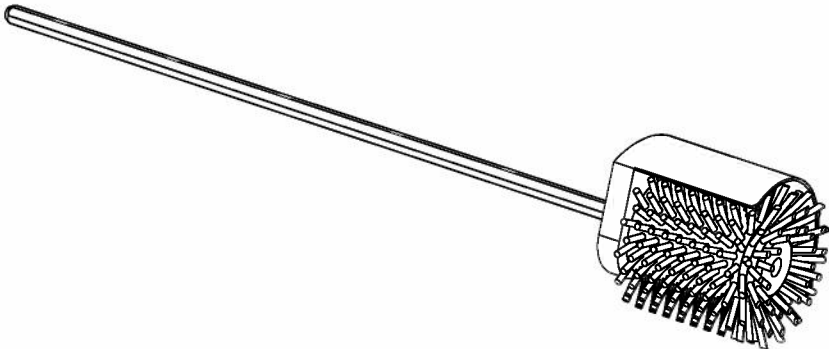


Ref. No	Part No	Description	Size	Qty
5	90-0142-0000	HEX NUT	M6	3
7	90-0143-0000	CSK SCREW	M6x14	4
8	90-0004-0000	ALLEN SCREW	M4x10	2
14	90-0146-0000	WASHER	5.2x10x1.6	2
15	90-0147-0000	WASHER	6.4x12x1.6	3
22	90-0150-0000	GRUB SCREW	M5x12	2
27	90-0015-0000	BUSH		4
28	90-0152-0000	WASHER		4
31	90-0017-0000	WASHER		6
37	90-0157-0000	SPRING		1
38	90-0158-0000	SPRING		1
51	90-0030-0000	WASHER		2
56	90-0172-0000	ROLLER		6
62	90-0176-0000	O' RING		12
67	90-0178-0000	BUSH		2
69	90-0180-0000	BUSH		1
70	90-0181-0000	BUSH		1
200	90-0414-0000	SHAFT-HANDLE		1
201	90-0415-0000	TIE ROD		3
202	90-0416-0000	SHAFT		2
203	90-0417-0000	BRUSH SHAFT		2
205	90-0418-0000	FAN-MOTOR-DS		1
211	90-0419-0000	DRUM ASSY		1
211a	90-0420-0000	DRUM - USE ITEM 211		
211b	90-0421-0000	DRUM SLEEVE - USE ITEM 221		
213	90-0422-0000	SCREW	M3x10	1
214	90-0423-0000	SPRING WASHER	M3	1
V1	90-0424-0000	MOTOR (230V, 50Hz)		1
V1	90-0470-0000	MOTOR (220V, 60Hz)		1
V6	90-0426-0000	BRIDGE (WATER BLUE RAL 5021)		1

* Variants refer page no. 19

Side Brush Assembly

90-0385-0000



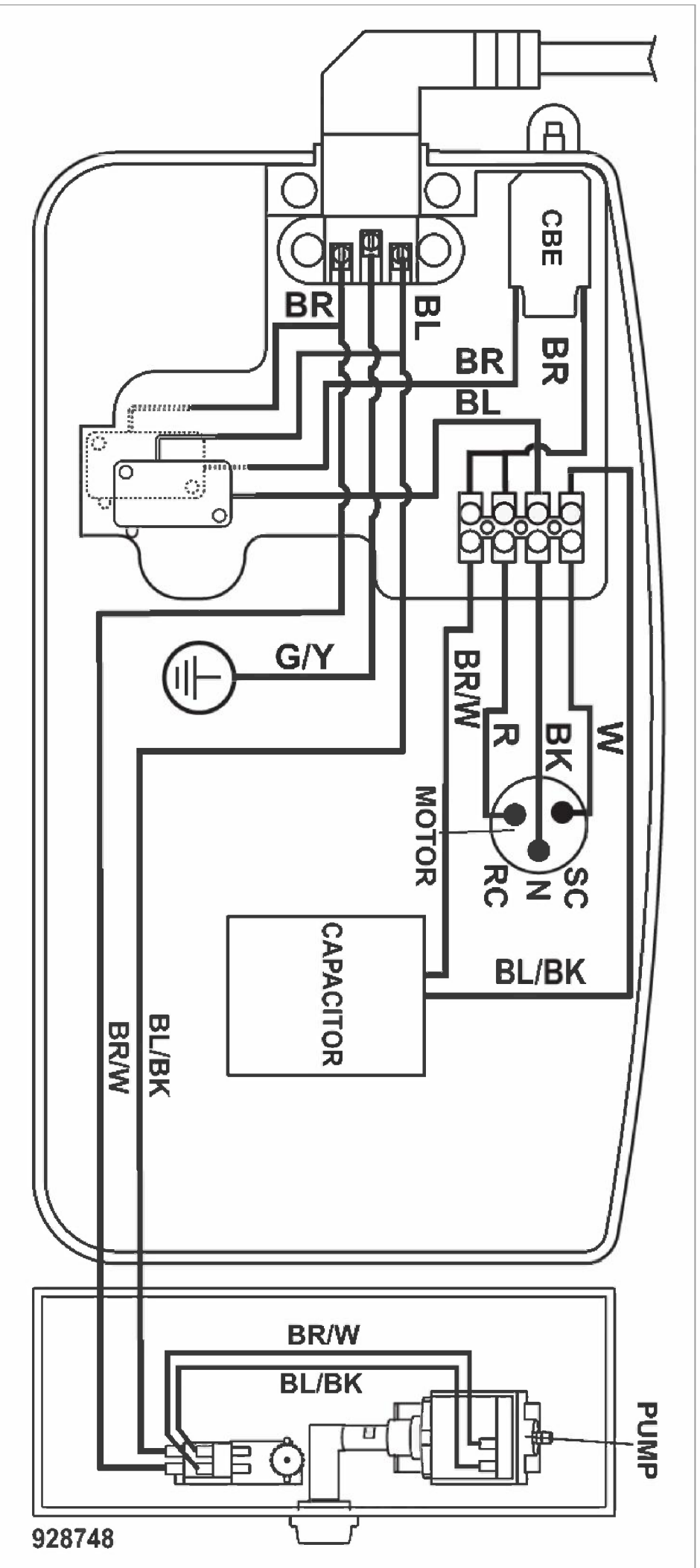
BRUSH

SL.NO	PART NO	DESCRIPTION
1	90-0387-0000	BRUSH-STD
2	90-0388-0000	BRUSH-POLISHING

TROLLEY

1	05-3395-0000	TROLLEY
---	--------------	---------

Electrical Diagram



2. Electrical layout of P model



SPARES & TECHNICAL SUPPORT +44 (0) 23 8070 6601
TRUVOX CUSTOMER SERVICE HELPLINE +44 (0) 23 8070 2200

Truvox International Limited, Third Avenue, Millbrook, Southampton, Hampshire S015 0LE England
Tel: +44 (0) 23 8070 2200 Fax: +44 (0) 23 8070 5001
e-mail: truvox@truvox.com <http://www.truvox.com>
