

The Australian owned and designed* Trueheat RC Series of Gas Cooking Equipment has been developed for the restaurant and cafe market with a high quality finish, designed to fulfill the busy demands within a commercial kitchen.

Powerful 24MJ/hr open burners with individual standing pilots included. 100% Flame failure controls included as standard. Matt finish premium look cast iron trivets radiant heat and design makes it easy to move pots around the surface.

25MJ/hr static oven with two oven racks fit to removable vertical rack guides which provide 3 rack heights. Oven racks are fabricated from 304 stainless steel. Interior oven panels are coated with black vitreous enamel for ease of cleaning.

DIMENSIONS & WEIGHT

External Dimension: 600W x 830D x 1135H mm

Net Weight: 134kg

Working height : 910mm

Oven Interior : 490W x 540D x 320H mm

Combustible wall clearance: Side: 150mm, Rear: 150mm

TECHNICAL DATA

Gas Type: Natural or Propane

Total Output(MJ/hr):	Natural Gas	Propane Gas
	121	121

Burner Ratings (MJ/hr):	Natural Gas	Propane Gas	Ignition Type
Open Burner (MJ/hr):	24	24	Manual
Oven (MJ/hr):	25	25	Piezo

Gas Connection: 3/4" Female

AGA approval number: AGA 6652 G

SHIPPING DATA

Shipping Weight: 158kg

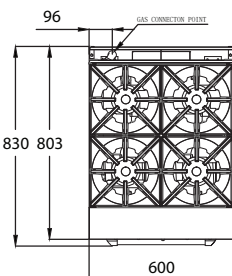
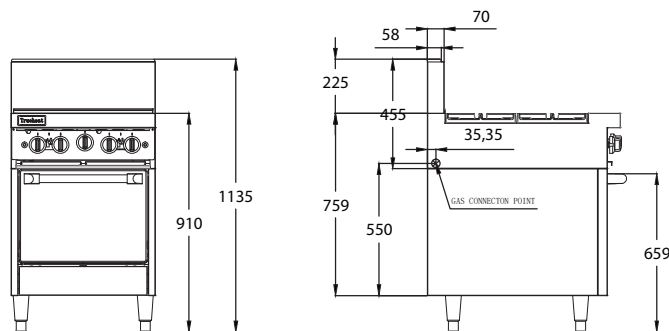
Shipping Dimensions: 680W x 900D x 1200H mm

OPTIONAL ACCESSORIES

Part Number:	Description:
GF-CSTRB	Front Castor Swivel with brake suits RCR models only
GF-CSTR	Rear Castor without brake suits RCR models only
432018-900HK	900mm 3/4 flexible gas hose with quick connect fittings and restraint
432018-1200HK	1200mm 3/4 flexible gas hose with quick connect fittings and restraint

SPECIFICATIONS ARE SUBJECT TO CHANGE WITHOUT NOTICE.

*manufactured in China



**INDUSTRY
KITCHENS**

www.industrykitchens.com.au 1800 611 058