

Modular Cooking Range Line 900XP 1200mm Gas Fry Top HP, Smooth scratch resistant chromium Plate

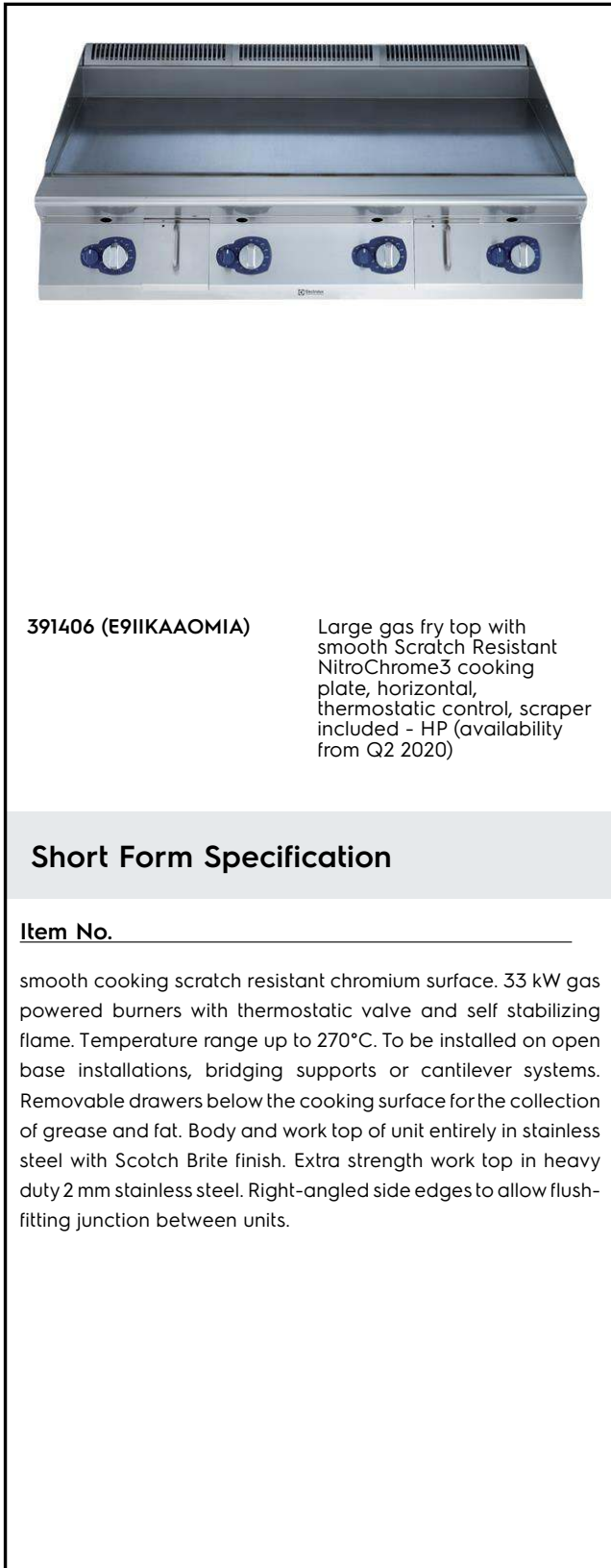
ITEM # _____

MODEL # _____

NAME # _____

SIS # _____

AIA # _____


391406 (E911KAAOMIA)

Large gas fry top with smooth Scratch Resistant NitroChrome3 cooking plate, horizontal, thermostatic control, scraper included - HP (availability from Q2 2020)

Short Form Specification

Item No. _____

smooth cooking scratch resistant chromium surface. 33 kW gas powered burners with thermostatic valve and self stabilizing flame. Temperature range up to 270°C. To be installed on open base installations, bridging supports or cantilever systems. Removable drawers below the cooking surface for the collection of grease and fat. Body and work top of unit entirely in stainless steel with Scotch Brite finish. Extra strength work top in heavy duty 2 mm stainless steel. Right-angled side edges to allow flush-fitting junction between units.

Main Features

- Exclusive IcyHot installation: combine the Fry Top HP with the dual temperature refrigerated/freezer base HP and obtain a single appliance which simultaneously increases productivity and facilitates cooking and storage operations.
- Unit to be mounted on open base cupboards, bridging supports or cantilever systems.
- Two large drain holes on cooking surface permits the draining of fat into two separate 3 liter collectors placed under the cooking surface.
- Stainless steel high splash guards on the rear and sides of cooking surface.
- Piezo spark ignition with thermostatic valve for added safety.
- The special design of the control knob system guarantees against water infiltration.
- IPX5 water protection.
- Units have 4 independent controls to regulate temperature of the cooking surface.
- Scratch resistant cooking surface thanks to a special treatment of the chromium plate.
- Easy to clean and corrosion resistant chromium surface.
- Temperature range from 90° up to 270°C.

Construction

- Unit is 930 mm deep to give a larger working surface area.
- All exterior panels in Stainless Steel with Scotch Brite finishing.
- AISI 304 stainless steel worktop, 2mm thick.
- Model has right-angled side edges to allow flush fitting joints between units, eliminating gaps and possible dirt traps.
- Non-scratch cooking surface 20mm thick for optimum grilling results and ease of use.
- Cooking surface completely smooth.

Included Accessories

- 1 of Scraper for smooth plate fry tops PNC 164255

Optional Accessories

- Scraper for smooth plate fry tops PNC 164255
- Junction sealing kit PNC 206086
- Support for bridge type installation, 1200mm PNC 206139
- Support for bridge type installation, 1400mm PNC 206140
- Support for bridge type installation, 1600mm PNC 206141
- Frontal kicking strip, 1200mm (not for refr-freezer base) PNC 206178
- Back handrail 1200mm, Marine PNC 206309
- Water drain for fry tops HP PNC 206345

APPROVAL: _____



Electrolux
PROFESSIONAL

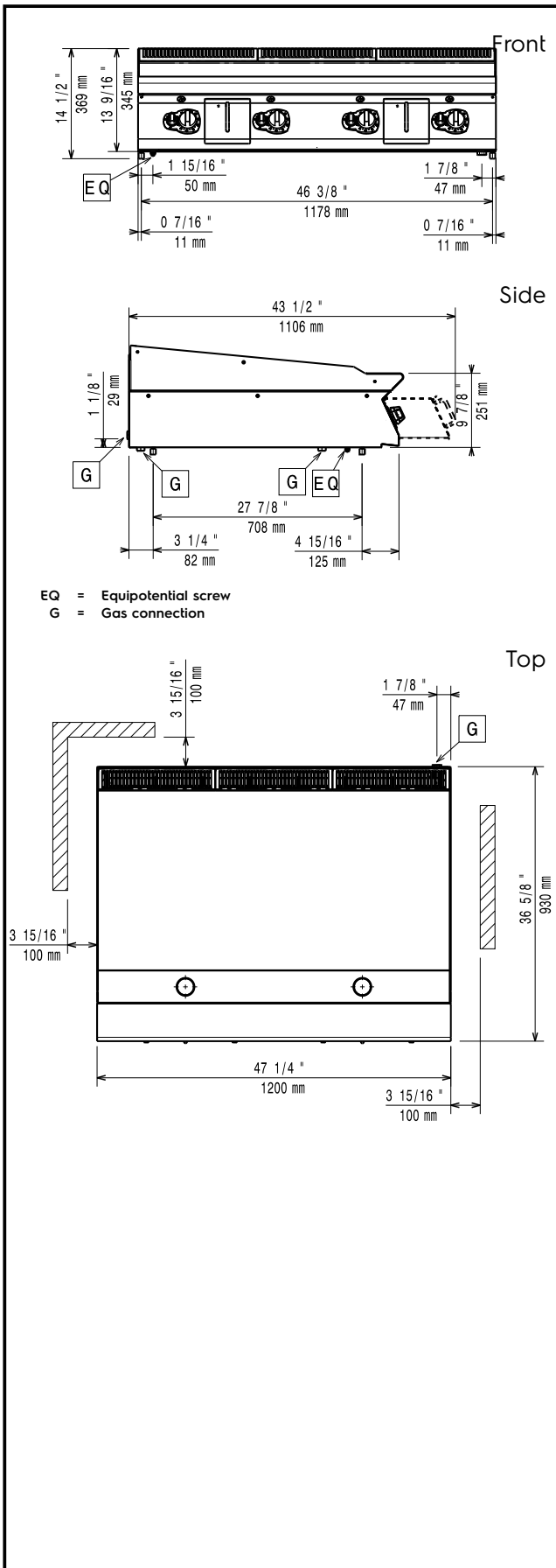
**Modular Cooking Range Line
900XP 1200mm Gas Fry Top HP, Smooth
scratch resistant chromium Plate**

- Grease/oil kit container for 700 line frytops (half and module) and 900 line frytops (module) PNC 206346
- Scraper for ribbed plate fry tops - kit includes knife blades for both smooth and ribbed surface PNC 206420
- Side handrail-right/left hand (900XP) PNC 216044
- Frontal handrail, 1200mm PNC 216049
- Frontal handrail, 1600mm PNC 216050
- Pressure regulator for gas units PNC 927225



**Modular Cooking Range Line
900XP 1200mm Gas Fry Top HP, Smooth scratch resistant chromium
Plate**
The company reserves the right to make modifications to the products
without prior notice. All information correct at time of printing.

2020.11.19



Gas

Gas Power:	391406 (E911KAAOMIA)	33 kW
Standard gas delivery:		Natural Gas G20 (20mbar)
Gas Type Option:		LPG; Natural Gas
Gas Inlet:		1/2"

Key Information:

Cooking surface width:	1194 mm
Cooking surface depth:	610 mm
External dimensions, Width:	1200 mm
External dimensions, Height:	250 mm
External dimensions, Depth:	930 mm
Net weight:	150 kg
Shipping weight:	170 kg
Shipping height:	540 mm
Shipping width:	1400 mm
Shipping depth:	900 mm
Shipping volume:	0.68 m ³

If appliance is set up or next to or against temperature sensitive furniture or similar, a safety gap of approximately 150 mm should be maintained or some form of heat insulation fitted.