



ET-7258M-16 **PET-7258M-16**
ET-7258M-16-UTA **PET-7258M-16-UTA**

(PoE) Ethernet I/O Module with 2-port Ethernet Switch and 16-ch Isolated DI Module

Features

- Built-in Web Server
- Web HMI
- Support for both Modbus TCP and Modbus UDP Protocols
- Communication Security
- 2-port Ethernet Switch for Daisy-Chain Topology
- Dual Watchdog
- Built-in I/O
 - AC/DC Digital Input: 16 Channels
- Wide Operating Temperature Range
 - UTA Series: -40 ~ +75°C



Introduction

The ET-7258M-16/PET-7258M-16/ET-7258M-16-UTA/PET-7258M-16-UTA provides 16 AC/DC digital input channels. Each input channel can be used as a 32-bit counter. It features optical isolation for 2500 VDC of transient over voltage protection but doesn't provide channel-to-channel isolation. It can safely be used in applications where hazardous voltages are present.

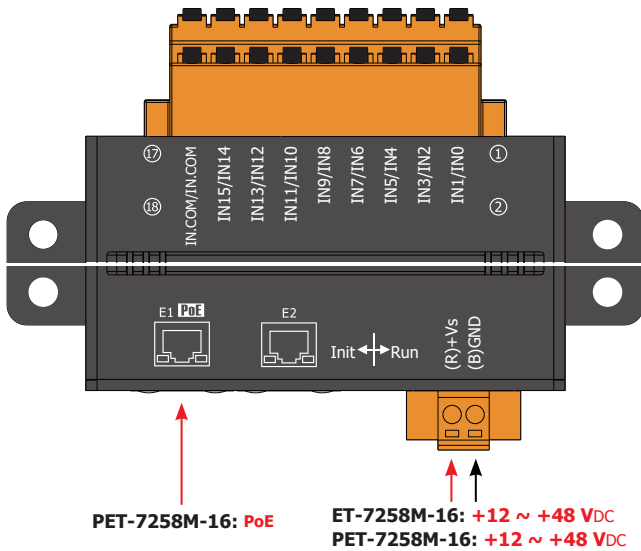
System Specifications

Model	ET-7258M-16	ET-7258M-16-UTA	PET-7258M-16	PET-7258M-16-UTA
Software				
Built-in Web Server	Yes			
CPU Module				
Watchdog Timer	Module, Communication (Programmable)			
2-Way Isolation				
Ethernet	1500 VDC		-	
I/O	2500 VDC			
EMS Protection				
EFT (IEC 61000-4-4)	±4 kV for Power Line			
ESD (IEC 61000-4-2)	±4 kV Contact for Each Terminal ±8 kV Air for Random Point			
LED Indicators				
Status	Run, Ethernet, I/O		Run, Ethernet, I/O, PoE	
Ethernet				
Ports	2 x RJ-45, 10/100 Base-TX, Switch Ports			
PoE	-		Yes	
LAN bypass	Yes			
Security	ID, Password and IP Filter			
Protocol	Modbus TCP, Modbus UDP			
Power				
Reverse Polarity Protection	Yes			
Consumption	2.8 W (Max.)		2.9 W (Max.)	
Powered from PoE	-		IEEE 802.3af, Class1	
Powered from Terminal Block	+12 to +48 VDC			
Mechanical				
Dimensions (mm)	97 x 130 x 38 (W x L x H)			
Installation	DIN-Rail mounting			
Environment				
Operating Temperature	-25 to +75°C	-40 to +75°C	-25 to +75°C	-40 to +75°C
Storage Temperature	-30 to +80°C			
Humidity	10 to 90% RH, Non-condensing			

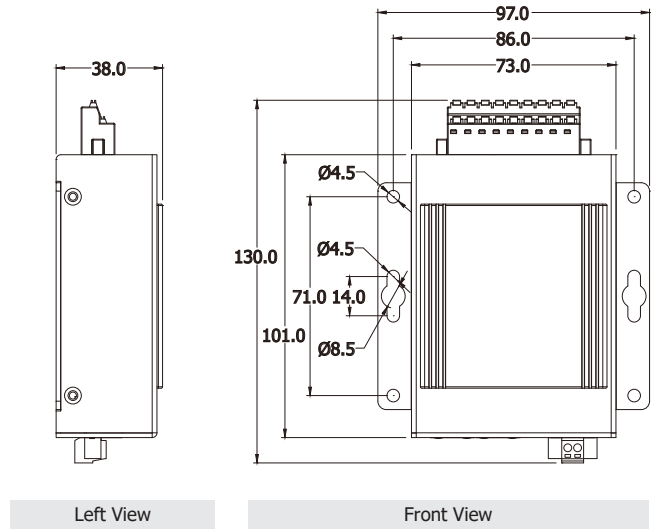
I/O Specifications

Model	ET-7258M-16	ET-7258M-16-UTA	PET-7258M-16	PET-7258M-16-UTA
Digital Input/Counter				
Channels	16			
Contact	Wet Contact			
Sink/Source (NPN/PNP)	Sink/Source			
ON Voltage Level	80 to 250 VAC ±100 to ±250 VDC			
OFF Voltage Level	30 VAC (max.) ±30 VDC (max.)			
Max. Count	4,294,967,295 (32-bit)			
Frequency	100 Hz			
Min. Pulse Width	5 ms			
Input Impedance	150 kΩ			
Overvoltage Protection	300 VAC			

Pin Assignments



Dimensions (Units: mm)



Wire Connections

Digital Input/Counter	ON State Readback as 1	OFF State Readback as 0
AC Digital Input	80 ~ 250 VAC	OPEN or < 30 VAC Max.
DC Digital Input	±100 ~ ±250 VDC	OPEN or < ±30 VDC Max.

Ordering Information

ET-7258M-16 CR	Ethernet I/O Module with 2-port Ethernet Switch, with 16-channel Digital Input (RoHS)
PET-7258M-16 CR	PoE Ethernet I/O Module with 2-port Ethernet Switch, with 16-channel Digital Input (RoHS)
ET-7258M-16-UTA CR	Ethernet I/O Module with 2-port Ethernet Switch, with 16-channel Digital Input (RoHS) -40 to 75°C Operating Temperature
PET-7258M-16-UTA CR	PoE Ethernet I/O Module with 2-port Ethernet Switch, with 16-channel Digital Input (RoHS) -40 to 75°C Operating Temperature