

***F1 ARCUS***

For You and Your team



**FIMET**

ENG

FIMET has a long history in the manufacturing of dental equipment, which began in the early 1980's. Our products are proudly made in Finland.

The FIMET mission has always been to put our best foot forward and to design and produce affordable, yet high-quality, dental units to meet your needs and expectations. With our newest development, *F1 ARCUS*, we are proud to present you with a high-performance unit that is ergonomic in its use and maintenance.



# Optimal ergonomics

With the swing-arm version of the *F1 ARCUS Continental* unit you will maintain your full focus in the treatment area as you do not need to look away to reach the instruments.

## FLEXIBILITY AT ITS BEST

The chair mounted assistant's element, with its wide range of movements, is ideal for two- or four-handed dentistry.

## COMFORT FOR YOUR PATIENT

The foldable leg rest, multi-adjustable head rest, comfortable upholstery options and many more features of the *F1 ARCUS* chair allow you to treat your patients in the best possible way.

## STAY FOCUSED

All necessary functions of the instruments, light and chair can be carried out using the wireless multi-function foot control.

## COMPACT AND FLEXIBLE

The instrument console is extremely light and can be equipped with up to five instruments according to your preference. It can be placed close to the patient within easy reach.

## F1 ARCUS IS FUTURE-PROOF

The floor mounted unit is a platform that can be equipped with features for current and future needs.



As the instrument console and the tray holder are placed over the patient's chest, real four-handed dentistry can be performed. The arm can be easily moved to the assistant's side for cleaning. Your patient can step in and out of the chair even when the arm and the instrument console are moved to the left side.



The assistant's arm can be moved from the left to the right side within a few seconds. The same unit can thus be used by right- and left-handed dentists.





The multi-functional and wireless *F1 ARCUS* foot control allows you to control instruments, the patient chair and other functions such as operating light and chip-blower.

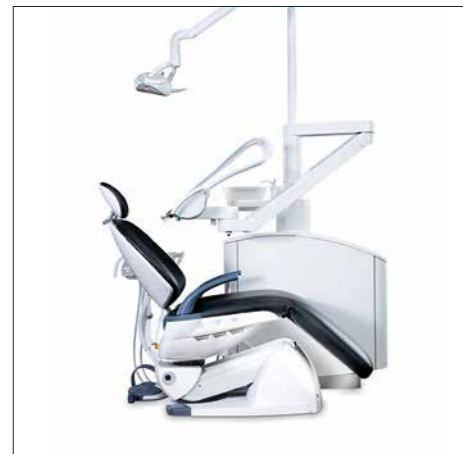
You will thus be able to focus on your work and minimize cross-contamination as you do not need to touch the instrument console during normal treatments.

The well balanced and non-retractable instrument arms are features you will appreciate in your daily work. You can choose the positions of the instruments according to your preferences and working habits. *F1 ARCUS* has a wide choice of quality instruments plus easy-to-clean hoses and whip arms.



## The patient chair

A relaxed patient lets you focus fully on the treatment. A thin backrest allows the care team to get close to the patient. This ergonomic *F1 ARCUS* chair perfectly complements the whole.



Different working positions can be individually programmed for multiple users. The high lifting height of the chair allows you to work even when standing.



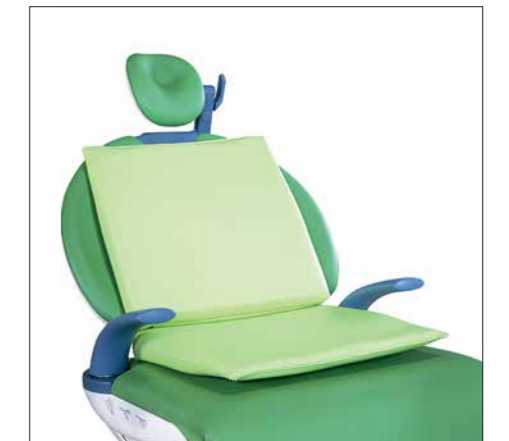
The rotating arm rests allow easy access to the chair. These hygienic arm rests are removable.



Two joystick foot controls for manual and automatic movements are located in the chair's base. The chair can also be operated from the instrument bridge and from the assistant's element.



An adjustable headrest of the *F1 ARCUS* patient chair provides good access to the treatment area.



A special cushion is available for children.

# Just the way that you want it

The new *F1 ARCUS Traditional* is available with a hanging instrument hoses delivery system, specially adapted to your way of working and preference.

## SEE WELL, WORK WELL

It is important that you have good visibility in your patient's treatment area. Choose one of our options and you can be sure of good light quality.



## MADE FOR YOU

The instrument arm is extremely light in motion and it can easily be moved with just one hand. The accurate movements are unique to the *F1 ARCUS* unit.

## SOLID & DURABLE

Aluminum, steel and quality plastic parts are carefully chosen to meet the strict medical quality standards of today and the future. Smooth and clear surfaces make cleaning easy.



## QUICK & EASY

The instruments, operating light and chair can be operated and controlled from multiple locations – from user and assistant interface, touch panel, wireless foot control or chair joysticks.

## MAXIMUM STABILITY

The floor-mounted unit is extremely stable and the sleek Nordic design with smooth curves integrates it seamlessly into your clinic.





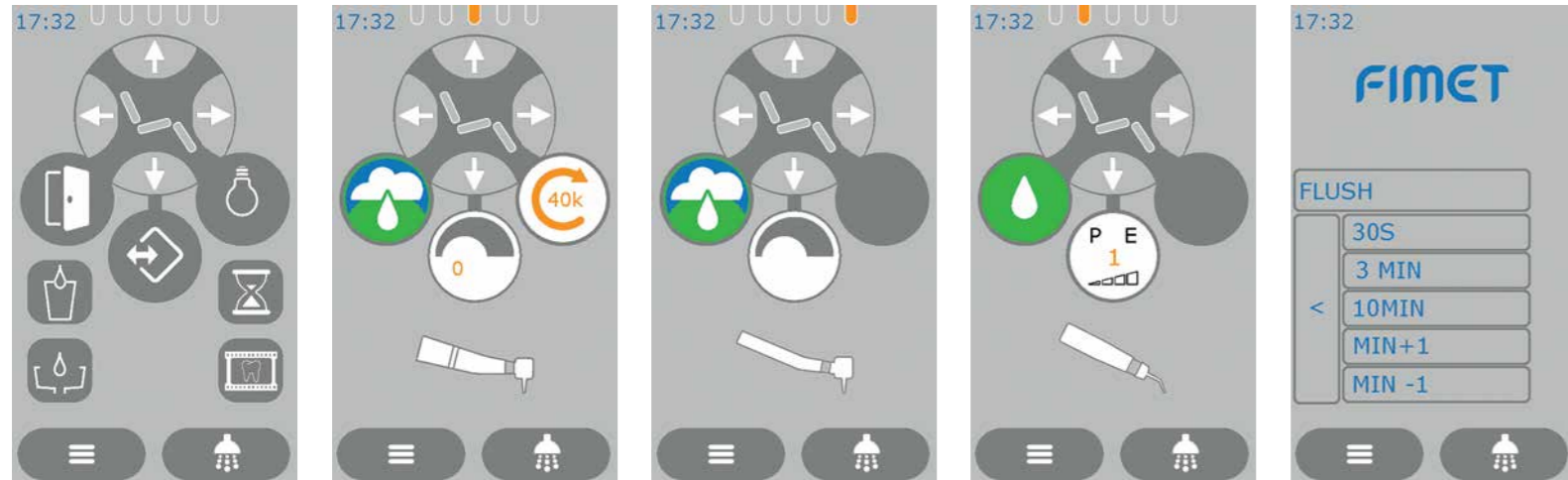
Intuitive touch-screen user interface provides access to all functions with just a few clicks. It can be mounted either to the left or to the right side of the instrument console.



A Full HD 22" medical grade display and intraoral camera are available for your new F1 ARCUS unit. The display has a hygienic optical glass shield and metal casing.



F1 ARCUS can be selected with or without the clever turning cuspidor.



Initial screen view    Micromotor view    Turbine view    Ultrasound instrument view    Flushing menu view



Personalise your F1 Arcus with Cuspidor bowl. It is available in porcelain, glass with exciting colours and sandblasted.



# Maintenance made easy

Clean and clear Nordic design ensures effortless maintenance of the F1 Arcus. The smooth surfaces with a minimum amount of joints and gaps makes daily cleaning and maintenance fluent and quick. You and your team will have more time to focus on your patient.

The materials that we have selected are durable, long-lasting and will withstand wear and tear as well as the commonly used surface cleaning agents.



Both the instrument console and the assistant's console are equipped with a hygienic silicone cover to ensure excellent hygiene.



Instruments using water cooling can be placed into suitable holders for easy, quick and automatic cleaning of the internal water lines. Three different flushing times can be selected and adjusted from the menu.

The metal construction and wide opening doors and covers allow easy access for maintenance.





The *F1 ARCUS* can be equipped with two 1,5 litre bottles where you can use either water or disinfection agents. Further hygiene options include the *Metasys WEK* system, with continuous disinfection of the water lines of your unit.



The integrated *Metasys MST1* amalgam separator is easily accessible for cleaning and maintenance.



The filter for the high-volume suction tubing is placed behind a hinged cover, yet easily accessible.

All these features and options add safety for you and your whole team. The unit can be connected either to the municipal water network, or it can work as a stand-alone unit by selecting the two 1,5 litre bottles.





# Quality tools

As you deserve the best possible tools to perform the most demanding treatments, we have only preselected instruments from well-established manufacturers for you. The choice is yours.



## Micromotors

All our electric micromotors have internal spray cooling and light. They are compatible with all ISO Type E contra-angles and handpieces and are made by well-known European and Japanese manufacturers.

When working with any of the listed *F1 ARCUS* micromotors, you can choose and individually adjust between three speed ranges, making it easy to select exactly the speed you require.



### INTRAmatic K-LUX 200

**KaVo Dental Germany**

- The removable motor sleeve is sterilisable at 135°C
- Water portion of the spray is steplessly adjustable by using the regulating sleeve
- Motor speed rating min. 200 max. 40 000 rpm
- Motor torque rating 2,6 Ncm



### NLX NANO LED

**NSK Japan**

- Brushless motor, thus no need to change carbons as in conventional micromotors
- Complete motor is autoclavable up to 135 °C
- Extremely short and light weight (68,8 mm/61 g)
- Motor speed rating min. 2 000 max. 40 000 rpm
- Motor torque rating 3,4 Ncm



### NBX LED

**NSK Japan**

- Solid titanium outer body
- Motor speed rating min. 200 max. 40 000 rpm
- Motor torque rating 4,0 Ncm
- Length 76 mm including hose connector, weight 83 g



### MC3 LED

**Bien Air Dental Switzerland**

- With autoclavable detachable sleeve
- Motor speed rating min. 200 max. 40 000 rpm
- Motor torque rating 2,8 Ncm
- Weight 98 g



## Ultrasonic scalers

We offer you high-quality, integrated, multitasking, ultrasonic instruments in piezo technology from renowned European and Japanese producers. Optic and non-optic handpieces are available from different brands according to your preference.



### ACTEON SATELEC SP4055

**Acteon France**

- Frequency range 28–36 kHz
- Max. power output 9 W
- Delivery includes tips 1, 10P and 10X, protection tip and universal wrench



### ACTEON SATELEC NEWTRON LED

**Acteon France**

- The automatic and continuous frequency adjustment guarantees maximal and continuous efficiency, whatever the load applied
- Frequency range 28–36 kHz, max. power output 12 W
- Delivery includes tips 1, 10P and 10X, sterilisation box and one torque wrench



### VARIOS 170 LED

**NSK Japan**

- The iPiezo engine assures stable output by automatically adjusting to the optimum frequency depending on the loading of the tip
- Frequency range 28–32 kHz, max. power output 11 W
- Delivery includes tips G4, G8 and G16, autoclavable sterilisation box and 3 torque wrench keys



### EMS PIEZON NO PAIN LED

**EMS Switzerland**

- Dynamic power-response feature that constantly regulates the ultrasonic power to the applied load
- Frequency range 24–32 kHz, max. power output 8 W
- Delivery includes tips A, P and PS, autoclavable sterilisation box and 3 torque wrench keys



## Patient lights

In order to achieve the best results under health and safety conditions, dentists need to operate in a clear view environment. The light must be able to reduce the shadow effect of instruments and natural barriers to a minimum. It must also be able to produce light as close as possible to that of the daylight. We have chosen two different professional lighting systems for you with advanced LED technology from leading specialised manufacturers.



### POLARIS

- Colour temperature can be adjusted between 4 200 and 6 000 K. This allows the colour temperature to be adjusted in order to improve the contrast on soft tissues, increasing the visibility and the resolution
- Adjustable luminance between 8 000 to 50 000 Lux
- An easily cleanable front cover keeps the reflectors protected from dust and damage
- An optional mirror and anti-polymerization filter can be easily added to your Polaris light



### FARO ALYA

- Lighting level can be adjusted from 3 000 to 50 000 Lux
- Due to the high CRI value (Colour Rendering Index) of 97, the quality of the colours and the details in the mouth of the patient are fully realistic and respected
- The optional ALYA SCREEN protection cover with a patient mirror can also be mounted on the light afterwards



## Water unit

The floor mounted *F1 ARCUS* unit body is made of durable materials – powder-coated aluminium, zinc steel, optional natural acrylic stone covers for unit top and cuspidor unit – which meet the strictest infection control requirements.

The water/air separation system options include selective valves for wet or semi-wet systems and automatic dry separation systems.

With the *METASYS* amalgam separators and other hygienic solutions, you can put your trust in the proven technology of one of the market leaders in its industry.



### METASYS MST1 AMALGAM SEPARATOR

The optional *METASYS MST1* amalgam separator is directly integrated into the *F1 ARCUS* treatment unit. All parts and elements that require care and maintenance are easily accessible. It has a modular construction and separation rate of 98.6 % (according to the German DIN standard).

### METASYS MST1 ECO LIGHT

The *METASYS MST1 ECO Light* is an automatic, single-unit air/water separator with a place selection valve. The integrated heavy parts collector prevents amalgam from forming deposits in the downstream hose system.

Drawing on decades of experience, the *MST1 ECO* is well-known for its smooth and trouble-free functioning and impresses with its simple and particularly user-friendly operation.

## Unit hygiene

It is absolutely necessary that the supply lines of the dental unit are disinfected, for the safety of both the patient and the dental team.

Unit Hygiene Systems integrated into the *F1 ARCUS* handle this task completely automatically. Disinfectants especially developed for this purpose are dispensed continuously and in minute doses, thus ensuring optimum hygiene without manual intervention.

You can choose between periodical semi-automatic and continuous automatic disinfection systems. Additionally the unit can be equipped with an optional two 1,5 litre bottle system.



### METASYS WEK

The continuous disinfection system prevents the formation of biofilm in the water-bearing pipes of your *F1 ARCUS* unit and also has a cascade with DVGW registration (German Technical and Scientific Association for Gas and Water) to guarantee the separation of decontaminated water from tap water. This ensures compliance with the 2003 Drinking Water Order and EN 1717 DIN 88-4.



### METASYS WEK LIGHT VERSION

The optional *METASYS WEK Light* version can also be integrated into your *F1 ARCUS* unit and it has the same benefits as the full version of *WEK* except the air gap.

The *GREEN&CLEAN WK* decontamination compound, which is specially formulated for these devices, provides effective and gentle protection against the formation of biofilm.



# Colours – choose your favourite

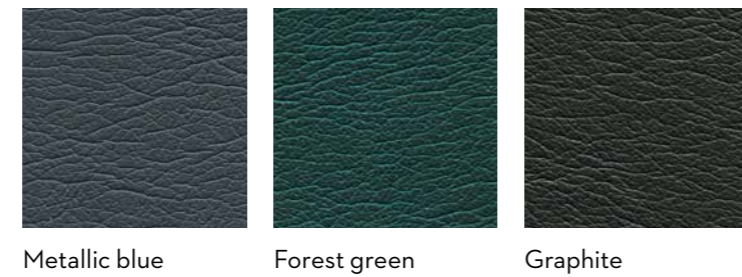
Seamless, easy-to-clean ComFORT and XtraSOFT upholsteries are available in many attractive colours. This material has a smooth and shiny surface with a skin-friendly coating. It is waterproof and can be disinfected. Imitation leather from the FIMET -collection complies with the relevant regulations of the EC directive 93/42/EWG on medical devices, and it is biocompatible according to EN ISO 10993.

## ComFORT and XtraSOFT selection



UltraLUX upholstery features a classic natural grain with a subtle luminescence that provides a hint of luxury and refinement. Memory foam adapts fully to the patient's body shape and is pleasant and relaxing.

## UltraLUX selection



The specifications and colours in this leaflet may vary from the actual product and are subject to change without prior notice. Ask your local FIMET distributor for colour samples.

# Stools

Sit well and choose one of the stool options.



Classic

Dental

Pony





# Your individual choices

PATIENT CHAIR	Standard	Optional
2 joysticks for manual and automatic movements	●	
Minimum chair height 45 cm, maximum 95 cm	●	
4 memory positions including 'last-position'	●	
Length adjustable back rest, adjustable seat angle	●	
Double articulated head rest	●	
Maximum allowed patient weight 180 kg	●	
Set of arm rests that swivel to side, removable	●	
Seamless ComFORT upholstery	●	
Seamless XtraSOFT upholstery		●
UltraLUX memory foam upholstery		●
Children's cushion		●

INSTRUMENTS	Standard	Optional
3F syringe, stainless steel, straight or angled, Luzzani		●
6F syringe, stainless steel, straight or angled, Luzzani		●
Turbine tubing with light		●
Electric micromotor with light - KaVo, NSK, BienAir		●
Electric micromotor with light, brushless, NSK NLX nano LED		●
Ultrasonic instrument, Acteon SUPRASSON		●
Ultrasonic instrument with light - NSK, Acteon, EMS		●
Curing light, Acteon miniLED		●

ASSISTANT'S ELEMENT / SUCTION ARM	Standard	Optional
High- and low-volume suction tubings	●	
Chair-mounted suction arm, height adjustable	●	
3F syringe, stainless steel, angled, Luzzani MINlight		●
Autoselective suction valve	●	
Curing light, Acteon miniLED		●
Silicon hygiene cover	●	
2 handles	●	
User interface and display for assistant	●	

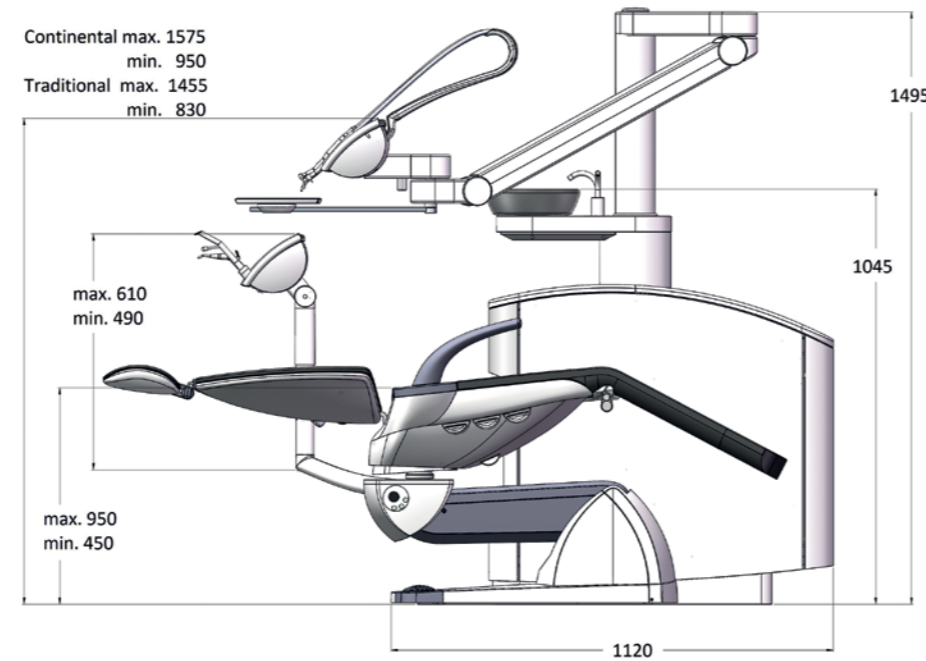
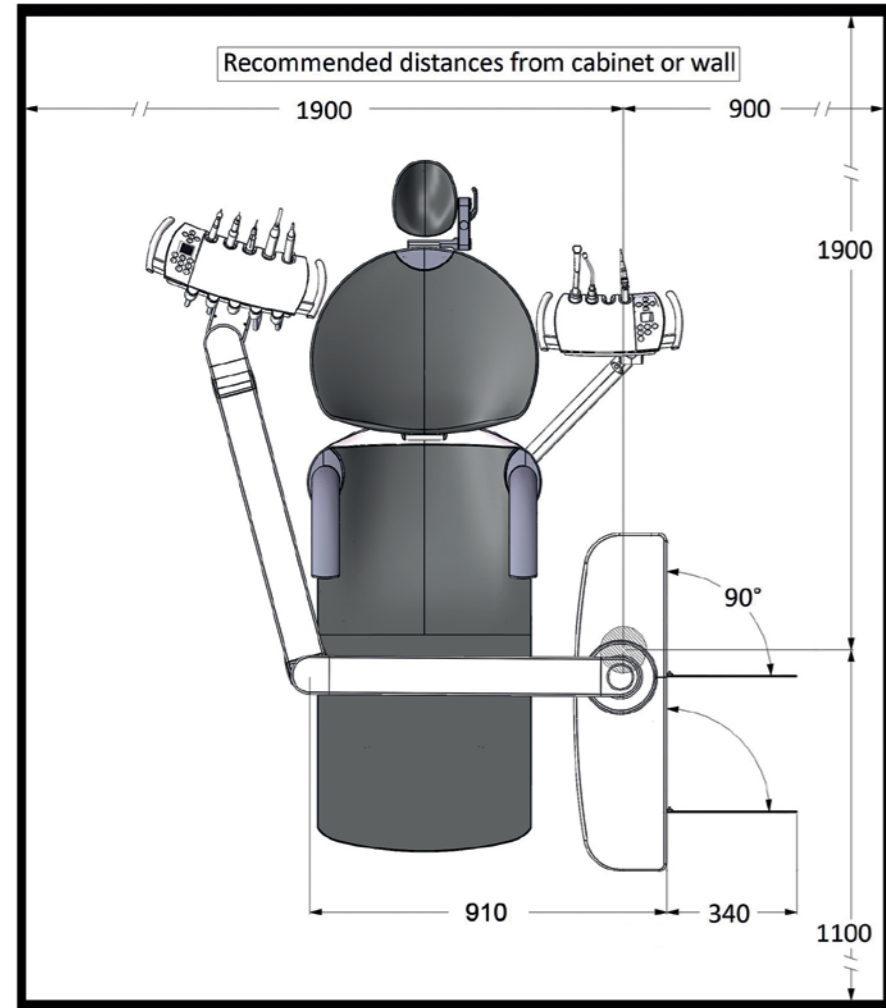
DENTIST'S ELEMENT	Standard	Optional
Instrument console for 5 instruments	●	
User interface and display for dentist	●	
Additional 5" touch panel		●
Spray adjustment, 1 or 4 knobs		●
Tray holder for 1 normal tray		●
Tray holder for 2 normal trays		●
Wireless multifunction foot control	●	
Silicon hygiene cover	●	
2 handles	●	

STOOLS	Standard	Optional
DENTAL with adjustable seat angle		●
CLASSIC with round seat		●
PONY saddle stool		●

WATER UNIT	Standard	Optional
Unit top cover and cuspidor made of natural acrylic stone	●	
Amalgam separator, Metasys MST1 for dry suction		●
Separator, Metasys ECO for dry suction		●
Preparation for wet-suction system		●
Cuspidor turning towards patient		●
Ceramic cuspidor bowl		●
Glass cuspidor bowl		●
Semi-automatic flushing system for instruments	●	
Continuous treatment of water lines WEK, DVGW approved		●
Continuous treatment of water lines WEK Light		●
Water bottle, set of 2, DVGW approved		●
Water heater for instruments and cup filler		●

OPERATING LIGHTS	Standard	Optional
Polaris LED		●
Polaris LED with on/off sensor		●
Mirror and anti-polymerisation filter for Polaris		●
Faro ALYA LED		●
ALYA SCREEN protection cover with a patient mirror		●

MULTIMEDIA	Standard	Optional
22" medical grade display with mounting arm		●
External USB2 interface		●
Intraoral camera		●



# F1 ARCUS – the optimal choice designed for you and your team

Contact your *F1 ARCUS* distributor today to find out more about this product.

# FIMET

**Fimet Oy**

Teollisuustie 6

FI-07230 Askola

Finland

+358 19 521 6600

[fimet@fimet.fi](mailto:fimet@fimet.fi)

[www.fimet.fi](http://www.fimet.fi)