



SF-160H, 280H & 510H

FLAKE ICE MAKERS



SF-160H, 280H & 510H

- Compact granular ice ideal for use by restaurants, seafood processors, wholesalers and retailers, food service areas, vegetable growers and wholesalers
- 18/8 grade stainless steel cabinets
- Available as self-contained air or water cooled and remote air cooled.



SF-160H, 280H & 510H FLAKE ICE MAKERS

Specifications

Power

Voltage - 240-50Hz
 Amps - SF160 3.0
 SF280 4.8
 SF510 7.8

Refrigerant

R404a

Shipping Dimensions

SF160 64.5x64.5x81cm (74kg)
 SF280 64.5x64.5x91cm (93kg)
 SF510 64.5x64.5x91cm (113kg)

Water Supply Requirements

3/4" BSP male stop cock 

Drainage

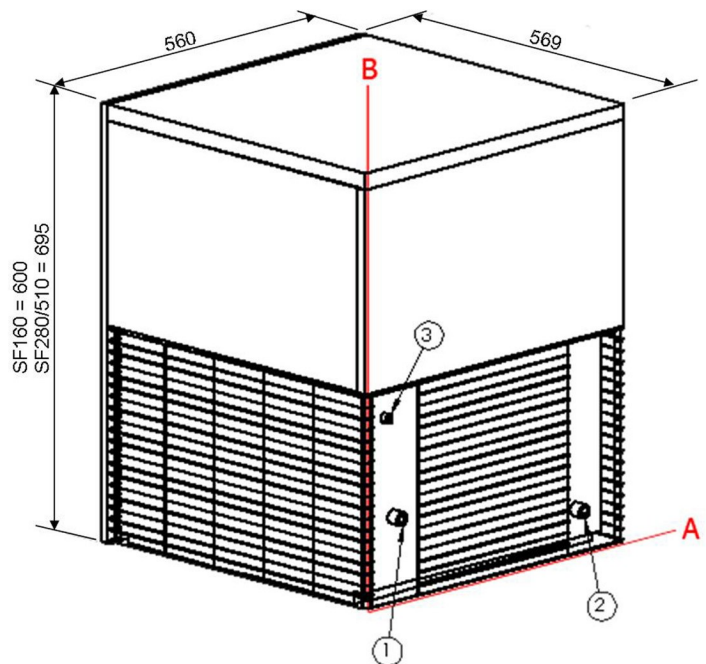
Must be provided

Ice Making Capacity (kg/24 hours)

SF160H	160
SF280H	280
SF510H	510

Water In (1) Drainage (2) Power In (3)

	A	B	A	B	A	B
SF160H	86	130	480	65	68	290
SF280H	86	130	480	65	68	290
SF510H	86	130	480	65	68	290



Continuing product improvement may necessitate changes of specifications without notice.

Distributed By

For more information or the name
of your local sales agent call:

Stuart Manufacturing

1 Jayelem Crescent Padstow NSW 2211

Sales 1300 301 380 • General Enquiries 02 9773 3711

Facsimile 02 9773 4400 • Email ice@stuman.com.au

Website www.stuman.com.au