

SUPERSTEP URINAL

1.03

URINALS



Scan QR code to view online



Image shows Recessed Superstep Urinal.

Floor Mounted Model is supplied with a kick plate.

features and benefits

- WELS and WaterMark certified
- Extra wide hinged grated step
- Particularly suited to early education facilities
- Compatible with BRITEX sensor flush systems
- Recessed or floor mounted models
- Vandal resistant design
- Hygienic, no drip step area
- Water saver sparge system
- Removable sparge cover
- Manufactured to custom lengths

about

The *BRITEX Superstep Urinal* has been developed specifically for use in early education facilities. The extra wide step encourages younger boys to stand on the flushed tray area and prevents splashing or dripping that can cause unhygienic conditions. Full flushing of the tray along with our weir style sparge ensures no build up to cause unpleasant odours. Available in recessed and floor mounted styles. WaterMark and WELS certified as required by plumbing regulations and government legislation.

sample spec. text

BRITEX S.S. Recessed/Floor Mounted Superstep Urinal - XXXmm Long x 900mm Wide. 5 WELS rating and WaterMark Level 1 certified. Complete with BRITEX Smart SaniFlush Sensor System (WELS 5*) - Product Code USUP*

*RED TEXT may denote a variable where one option only is to be selected, a nominal dimension that needs to be specified, or an optional feature that can be removed if not required. Please refer to the back of this page for additional specification details and options.

VISIT BRITEX.COM.AU TO DOWNLOAD BIM FILES, CAD DRAWINGS AND THE MOST CURRENT PRODUCT LITERATURE.



MELBOURNE
Britex Place, Mirra Crt
Bundoora VIC 3083
t (03) 9466 9000
e vic@britex.com.au

SYDNEY
16 Northumberland Drv
Taren Point NSW 2229
t (02) 9531 2100
e nsw@britex.com.au

PERTH
Unit 1/8 Principal Link
Malaga WA 6090
t (08) 9249 5464
e wa@britex.com.au

BRISBANE
19 Manilla St
East Brisbane QLD 4169
t (07) 3363 2400
e qld@britex.com.au

ADELAIDE
The Britex Group
SA State Office
t 1300 764 744
e sa@britex.com.au

britex.com.au | info@britex.com.au | A.B.N 83 004 309 737

#USUP / SUPERSTEP URINAL

SUPERSTEP URINAL

PRODUCT CODE

USUP

HOW TO SPECIFY: Superstep Urinal

Sample Specification Code

A **B** **C** **D** **E** **F**
USUP - 1500 - RE - R - 100 - R

= Superstep Urinal, 1500mm Long, Recessed, Rear Entry, 100mm Right Hand Waste

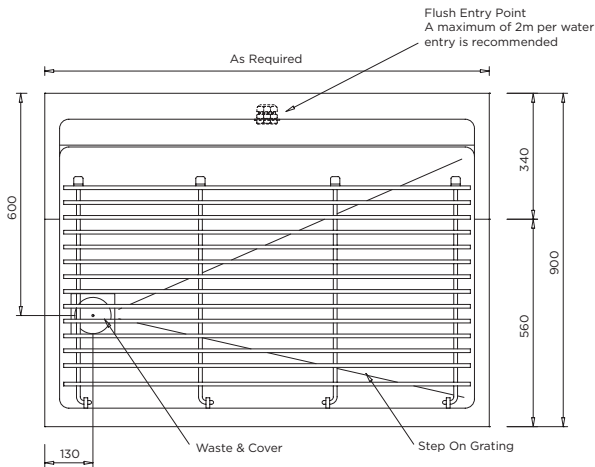
Specification Key

A = Product Code	E = Waste Outlet Size
B = Urinal Length (mm)	100 : 100mm
C = Mounting Options	75 : 75mm
FM : Floor Mounted	50 : 50mm
RE : Recessed	F = Waste Outlet Position
D = Entry Point	L : Left Hand Waste
T : Top Entry	R : Right Hand Waste
R : Rear Entry	C : Centre Waste

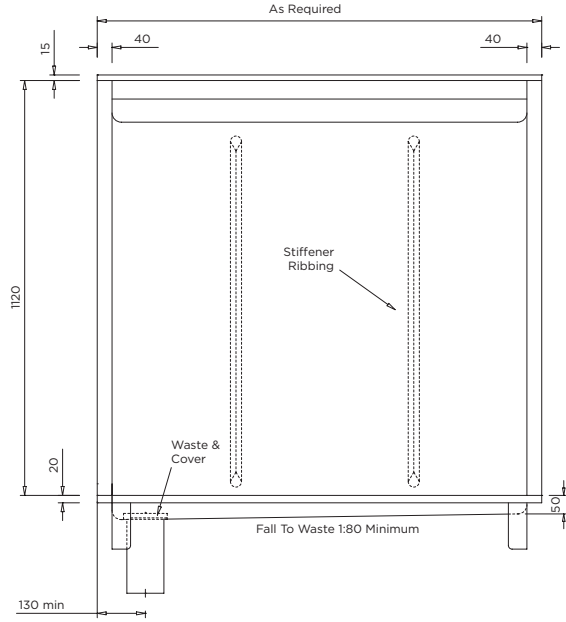
Water Inlets for Urinals:

One water inlet is required for every 2000mm of Urinal, or part thereof.

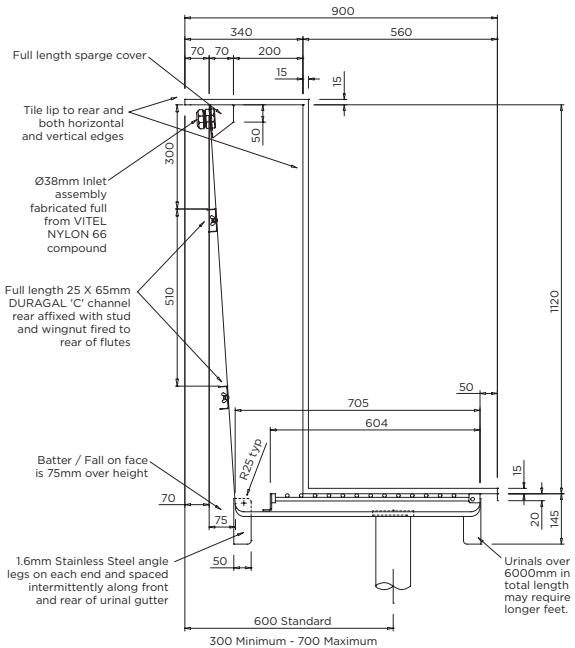
e.g. 600mm - 2000mm = 1 inlet
 2001mm - 4000mm = 2 inlets
 4001mm - 6000mm = 3 inlets



MODEL USUP Plan



MODEL USUP Front Elevation



Recommended floor cut out for recessed model is 940W x 160D x Urinal Length

MODEL USUP Typical Section (Recessed Model)

When specifying this product please include:

- Product Name and Code
- Product Length
- Recessed or Floor Mounted
- Top or rear Water Entry
- Size and position of Outlet

specifying guide

options

- Smart SaniFlush Sensor System: pg 3.01
- Outlet size: 100mm, 75mm, 50mm or custom
- Outlet position (left/right end preferred)
- Inlet size - 38mm or 25mm
- Free standing ends (if not between walls)
- Type 316 S.S. (Export models)
- Joining strip for joining modular lengths

VISIT BRITEX.COM.AU TO DOWNLOAD BIM FILES, CAD DRAWINGS AND THE MOST CURRENT PRODUCT LITERATURE.

Last Revised April 2018



britex.com.au | info@britex.com.au | A.B.N 83 004 309 737

Due to ongoing research and our commitment to product development, details are subject to change without notice. Details accurate at time of print.

Please refer to britex.com.au for the most current product information. Allow +/- 5mm tolerance for dimensions and setouts shown in product literature.



Quality ISO 9001