



QDD301T/601T

Electric Tractor 3.0/6.0T

- User-centered design for operation comfort and easy maintenance
- Suitable for indoor and outdoor usage
- Low center of gravity for stability assurance
- Market-proven components for durability

EP EQUIPMENT CO.,LTD
www.ep-ep.com



FEATURE

■ User-centered design for operation comfort and easy maintenance

For ergonomic purposes, the QDD301T/601T series provides a spacious legroom with the lower pedals, lower operating console, and adjustable steering wheel for usage in confined space. The side removal battery and the one-piece cover design make it convenient for daily maintenance.



■ Suitable for indoor and outdoor usage

The QDD301T/601T adopts big solid rubber tyres which caters to both flat ground and uneven surfaces in warehouses, production and logistics centers. It also provides an semi-enclosed cabin and a fully enclosed cabin as options to suit all-weather conditions.



■ Low center of gravity for stability assurance

The truck features its low center of gravity design, which ensures excellent stability for safety assurance.



■ Market-proven components for durability

The QDD301T/601T adopts mature parts such as the electric steering system and maintenance-free AC drive unit, which offers maximum durability and reliable performance.

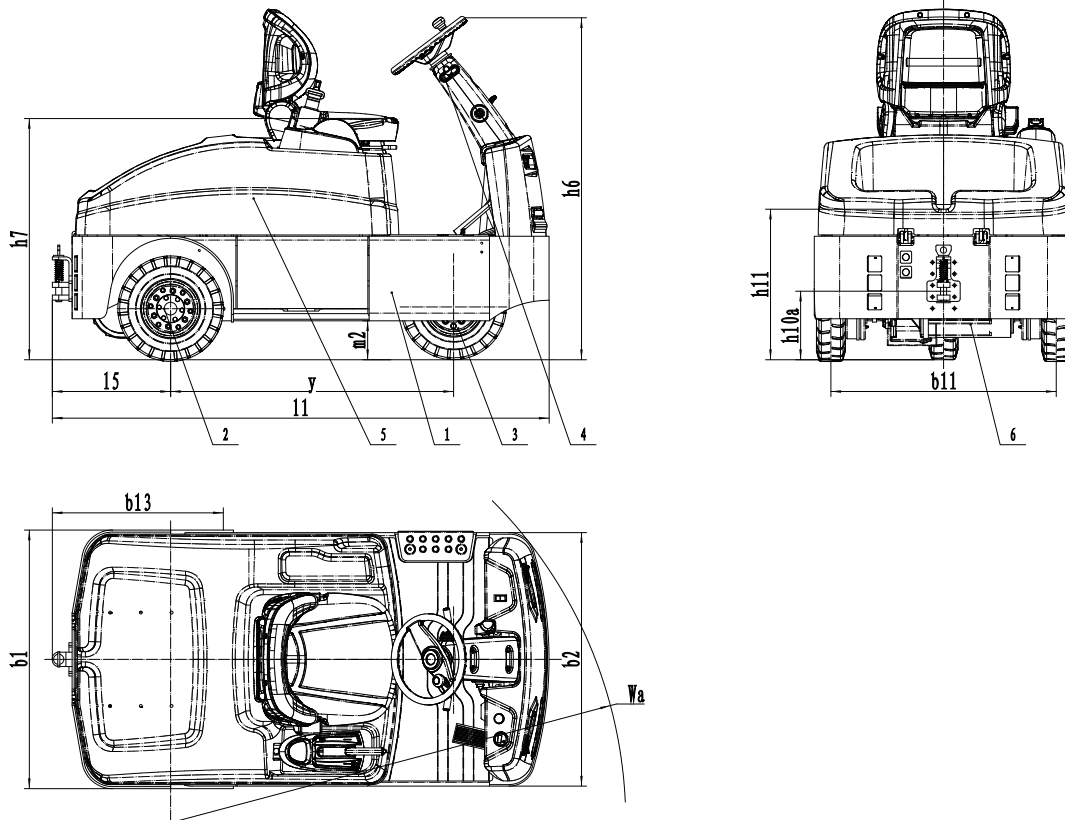


Electric Tractor 3.0/6.0T

QDD301T/601T

| | | | | | EP | EP |
|---------------------|-------|--|-------|-------|------------------|------------------|
| | Q | kg | 3000 | 6000 | | |
| Distinguishing mark | 1.1 | Manufacturer | | | EP | EP |
| | 1.2 | Model designation | | | QDD301T | QDD601T |
| | 1.3 | Drive | | | Electric | Electric |
| | 1.4 | Operator type | | | Seated | Seated |
| | 1.5 | Load capacity | Q | kg | 3000 | 6000 |
| Service weight | 1.9 | Wheelbase | y | mm | 1105 | 1105 |
| | 2.1 | Service weight | | kg | 1100 | 1150 |
| Tyres/chassis | 2.3 | Axle loading, unladen front/rear | | kg | 500/ 600 | 500/ 650 |
| | 3.1 | Tyre type | | | Solid rubber | Solid rubber |
| | 3.2 | Tyre size, front | | mm | 4.00-8 | 4.00-8 |
| | 3.3 | Tyre size, rear | | mm | 4.00-8 | 4.00-8 |
| | 3.4 | Additional wheels (castor wheels) | | mm | / | / |
| | 3.5 | Wheels, number front/rear (x=drive wheels) | | mm | 1/2x | 1/2x |
| | 3.6 | Tread width, front | b10 | mm | / | / |
| Dimensions | 3.7 | Tread width, rear | b11 | mm | 880 | 880 |
| | 4.2.1 | Overall height | h15 | mm | 1335 | 1335 |
| | 4.8 | Seat height/standing height | h7 | mm | 947 | 947 |
| | 4.12 | Tow coupling height | h10 | mm | 267(222/312/357) | 267(222/312/357) |
| | 4.13 | Loading height, unladen | | | 587 | 587 |
| | 4.16 | Length of loading surface | | | 350 | 350 |
| | 4.17 | Overhang | | | 462 | 462 |
| | 4.18 | Width of loading surface | | | 590 | 590 |
| | 4.19 | Overall length | l1 | mm | 1945 | 1945 |
| | 4.21 | Overall width | b1/b2 | mm | 1010/990 | 1010/990 |
| | 4.32 | Ground clearance, center of wheelbase | m2 | mm | 150 | 150 |
| Performance data | 4.35 | Turning radius | | | 1780 | 1780 |
| | 4.36 | Internal turning radius | | | 1170 | 1170 |
| | 5.1 | Travel speed, laden/unladen | | km/h | 7/15 | 7/17 |
| | 5.5 | Drawbar pull, laden/unladen | | N | 750 | 1200 |
| | 5.6 | Max. drawbar pull, laden/unladen | | N | 3000 | 4500 |
| Electric-engine | 5.8 | Max. gradeability, laden/unladen | | % | 7/25 | 7/25 |
| | 5.10 | Service brake | | | Hydraulic | Hydraulic |
| | 5.11 | Parking brake | | | Mechanical | Mechanical |
| Addition data | 6.1 | Drive motor rating S2 60 min | | kW | 4 | 6 |
| | 6.4 | Battery voltage/nominal capacity | | V/Ah | 48/240 | 48/275 |
| | 6.5 | Battery weight | | kg | 430 | 506 |
| | 8.1 | Type of drive control | | | AC | AC |
| Addition data | 10.5 | Steering design | | | Electronic | Electronic |
| | 10.7 | Sound pressure level at the driver's ear | | dB(A) | 70 | 70 |
| | 10.8 | Towing coupling, type DIN 15170 | | | Bolt type | Bolt type |

If there are improvements of technical parameters or configurations, no further notice will be given.
The diagram shown may contain non-standard configurations.



Option:

| No. | Optional items | QDD301T | QDD601T |
|------|------------------------------|--|--|
| 2.2 | Load wheel material | ●Rubber | ●Rubber |
| 2.3 | Drive wheel material | ●Rubber | ●Rubber |
| 2.4 | Front wheel type | ●Single | ●Single |
| 2.5 | Front wheel material | ●Solid○Non-marking | ●Solid○Non-marking |
| 2.6 | Rear wheel material | ●Solid○Non-marking | ●Solid○Non-marking |
| 2.7 | Battery capacity | ●48V240AH Lead-acid ○48V275AH Lead-acid | ●48V275AH Lead-acid ○48V325AH Lead-acid |
| 2.8 | Charger | ●48V45A external | ●48V45A external |
| 2.9 | Battery indicator | ●With time | ●With time |
| 2.10 | Seat type | ●Premium○Suspension | ●Premium○Suspension |
| 2.13 | Traction pin | ●Yes○Can be customized | ●Yes○Can be customized |
| 3.4 | Water auto-filling system | ●No○Yes and not customized | ●No○Yes and not customized |
| 3.5 | Front lamp | ●LED | ●LED |
| 3.7 | Warning lamp | ●No○Yes and not customized | ●No○Yes and not customized |
| 3.8 | Steering lamp | ●LED | ●LED |
| 3.11 | Rearview mirror | ●No○Yes and not customized | ●No○Yes and not customized |
| 3.12 | Buzzer | ●Yes | ●Yes |
| 3.15 | Fire extinguisher | ●No○Yes and not customized | ●No○Yes and not customized |
| 4.1 | Battery side pull function | ●Yes | ●Yes |
| 4.3 | Cabin | ●No ○Basic semi-enclosed ○Upgrade semi-enclosed ○Full-cabin | ●No ○Basic semi-enclosed ○Upgrade semi-enclosed ○Full-cabin |
| 5.1 | Battery side pull attachment | ●No ○Yes and not customized | ●No ○Yes and not customized |

Note: ●Standard ○Optional - Inconformity